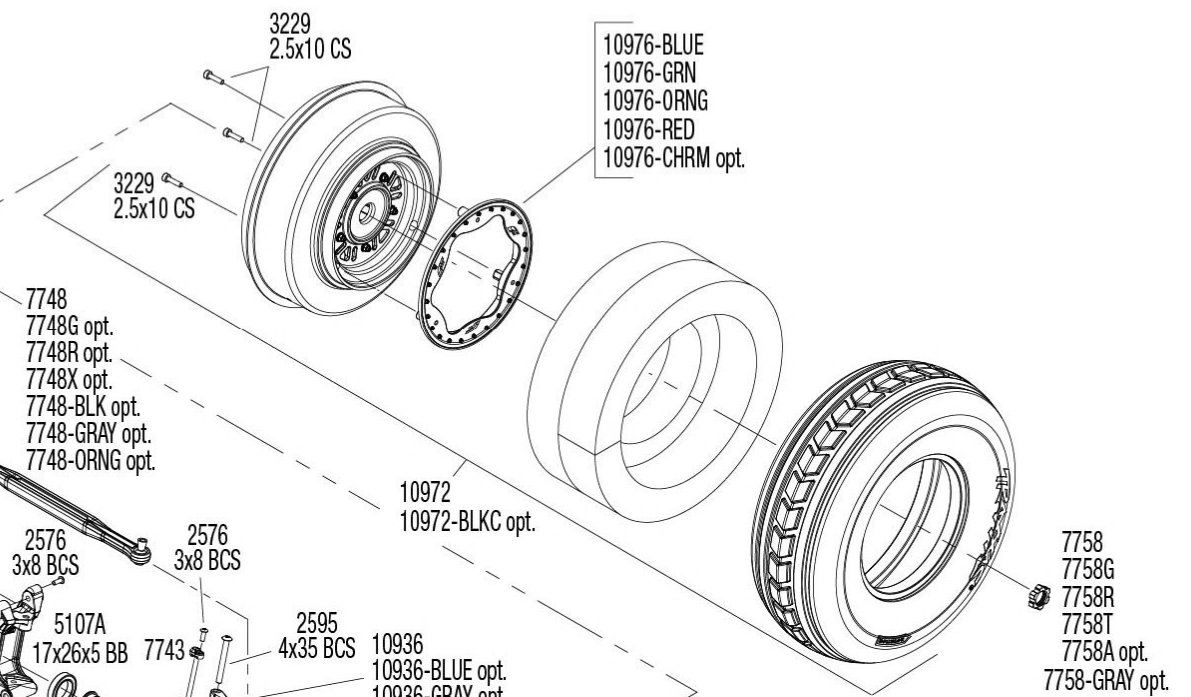
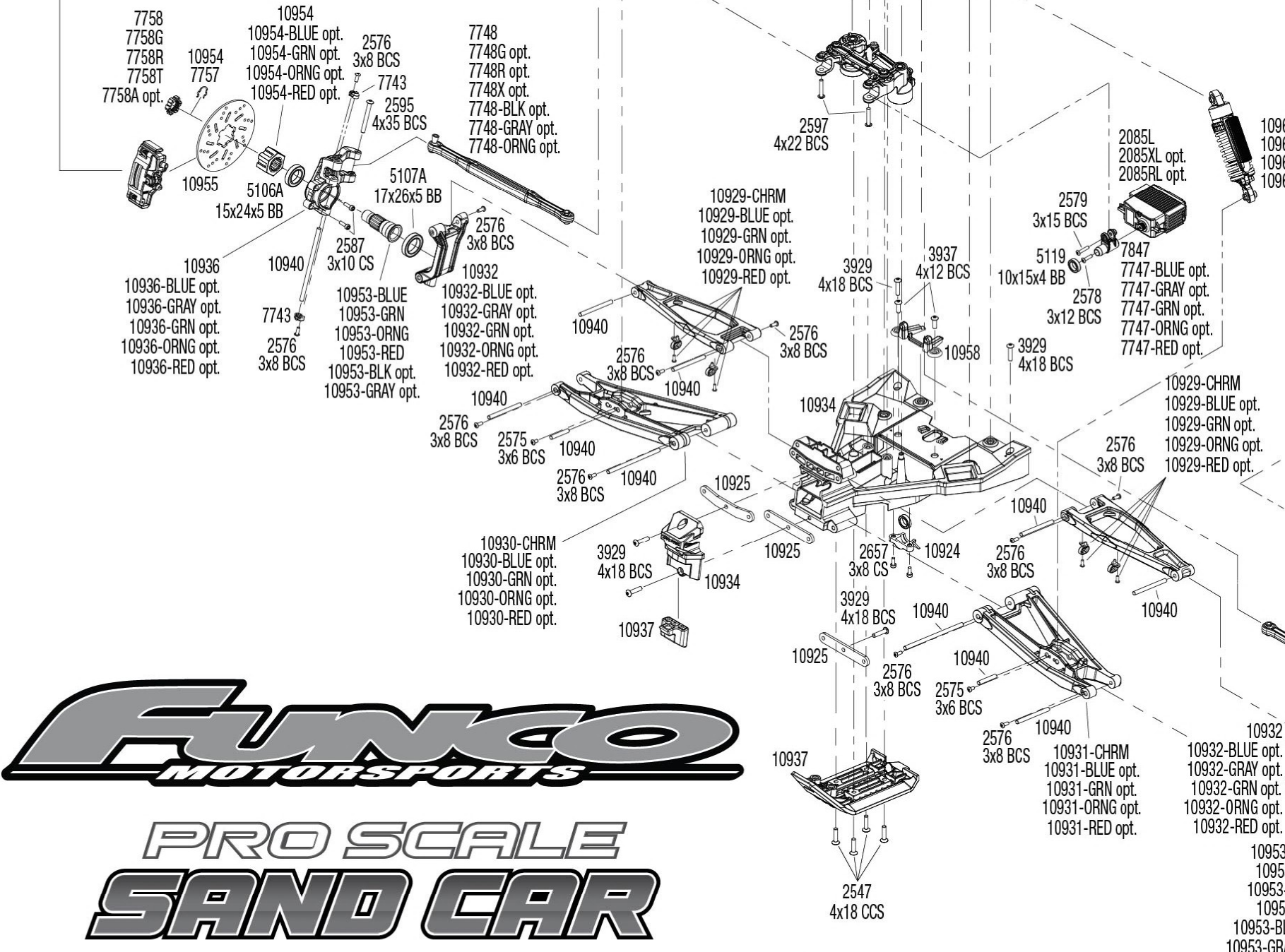
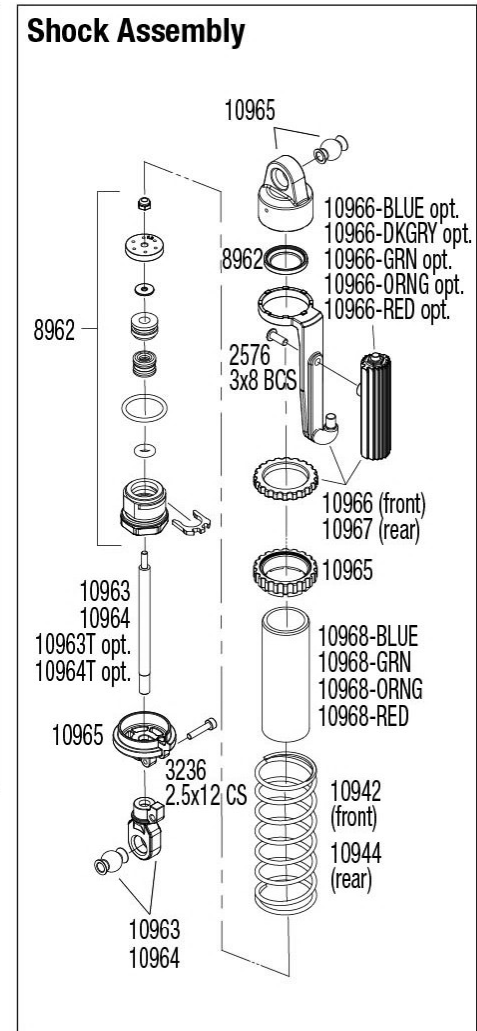
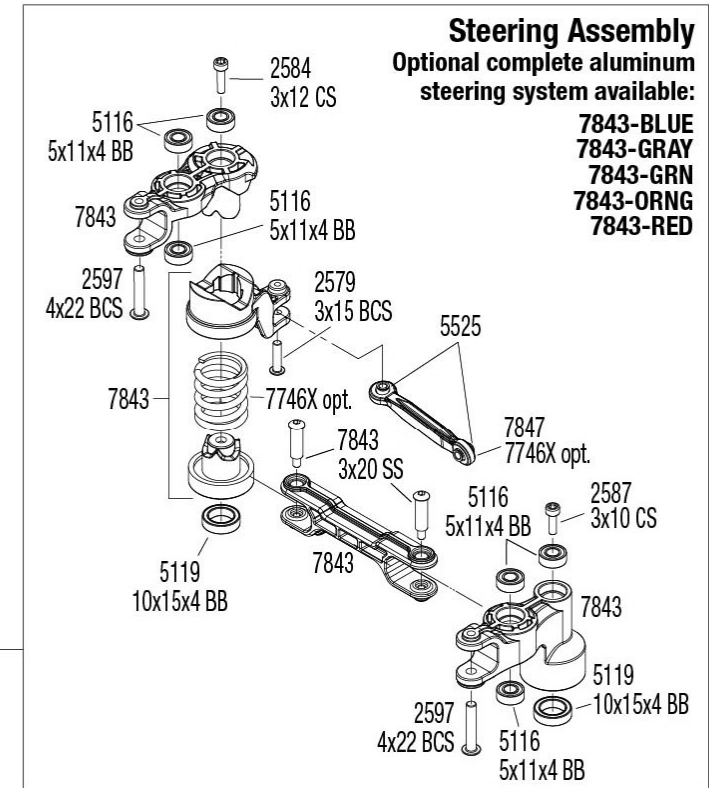
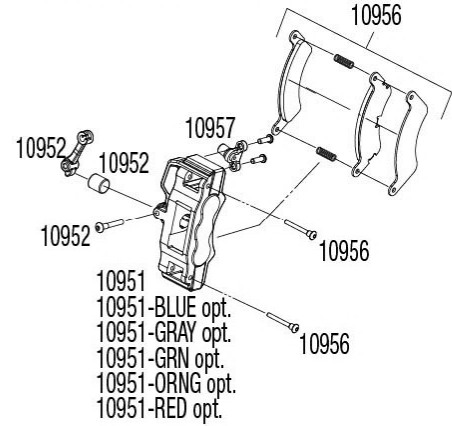




### Brake Assembly

Complete kit available as part #10950



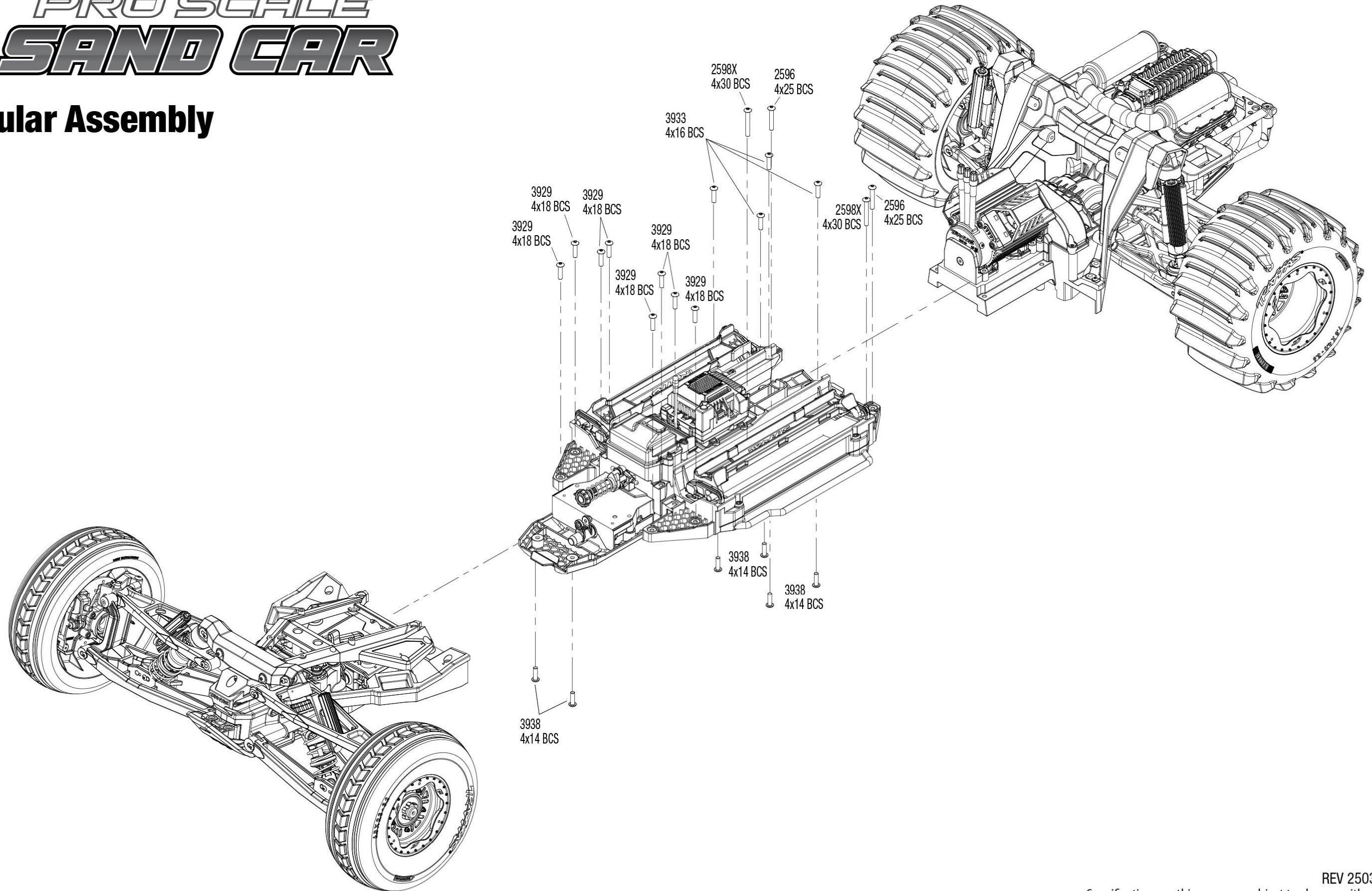
## Front Assembly

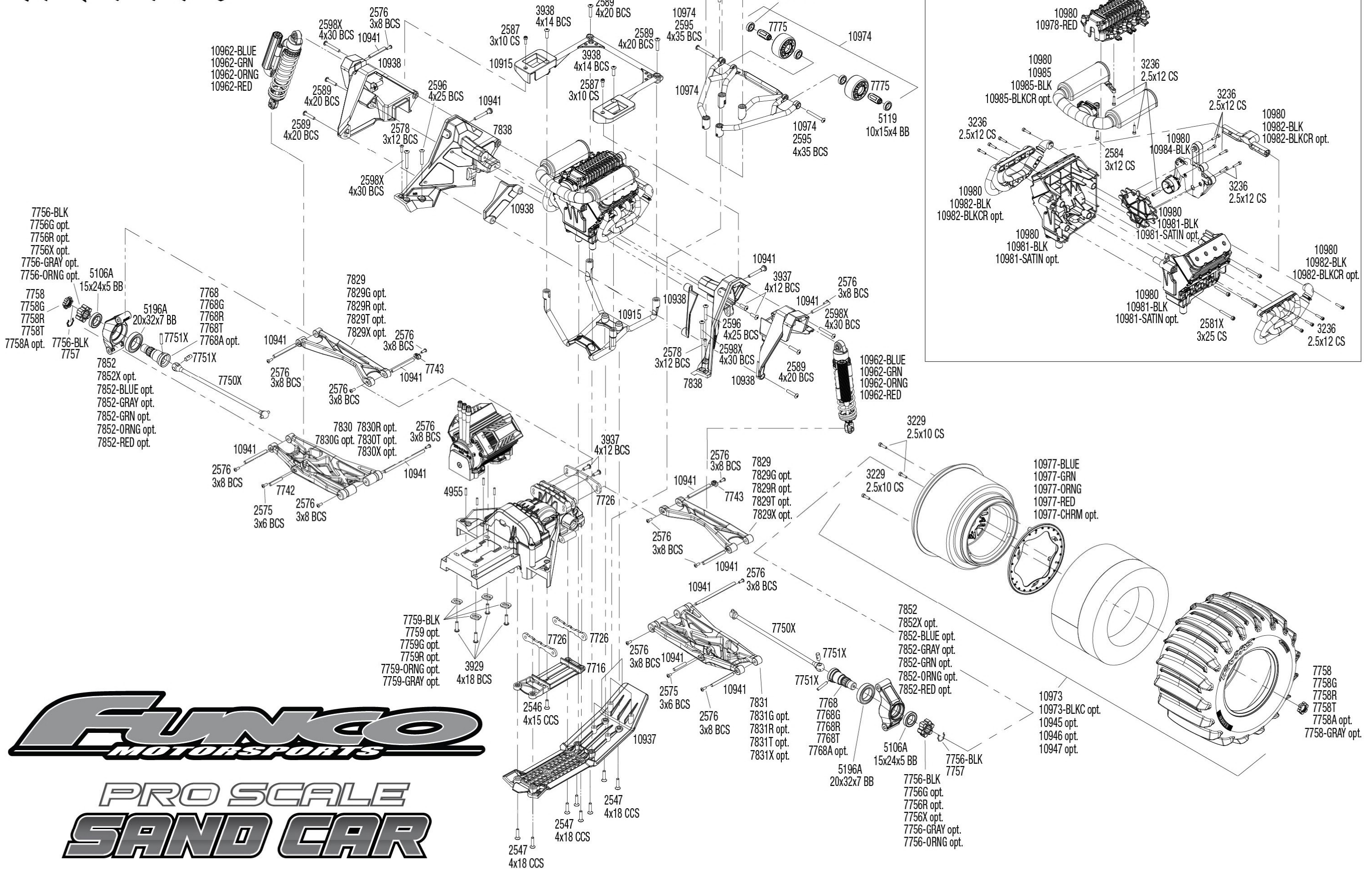
Specifications on this page are subject to change without notice. Every attempt has been made to ensure the accuracy of this drawing; however, Traxxas cannot be held responsible for typographical or other errors.

REV 250311-R03  
See Parts List for a complete listing of optional accessories.

## PRO SCALE SAND CAR

### Modular Assembly



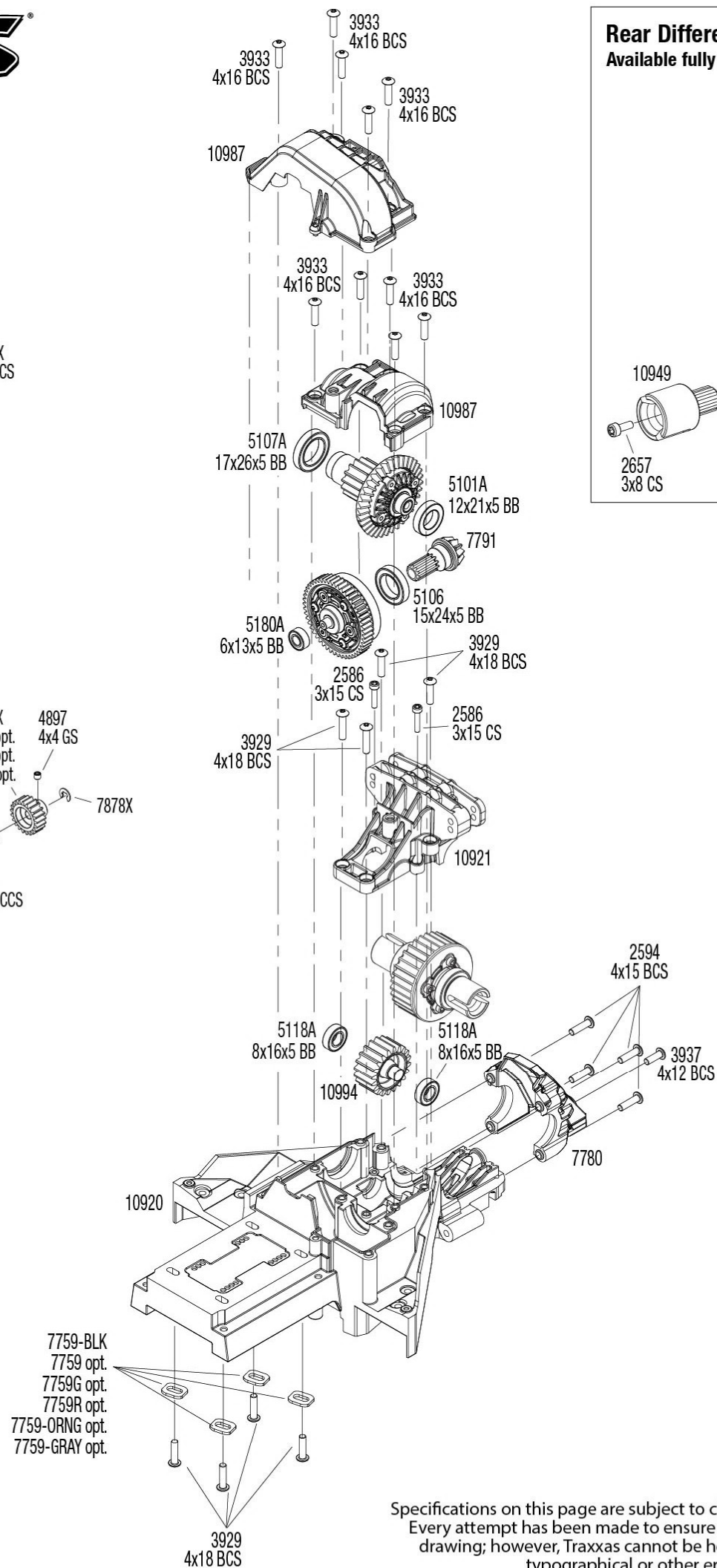
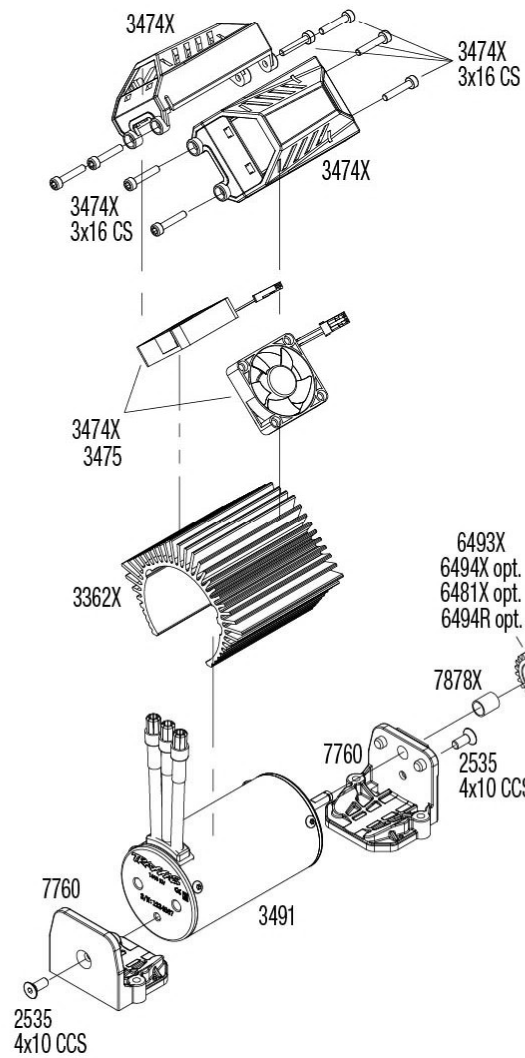


# PRO SCALE SAND CAR

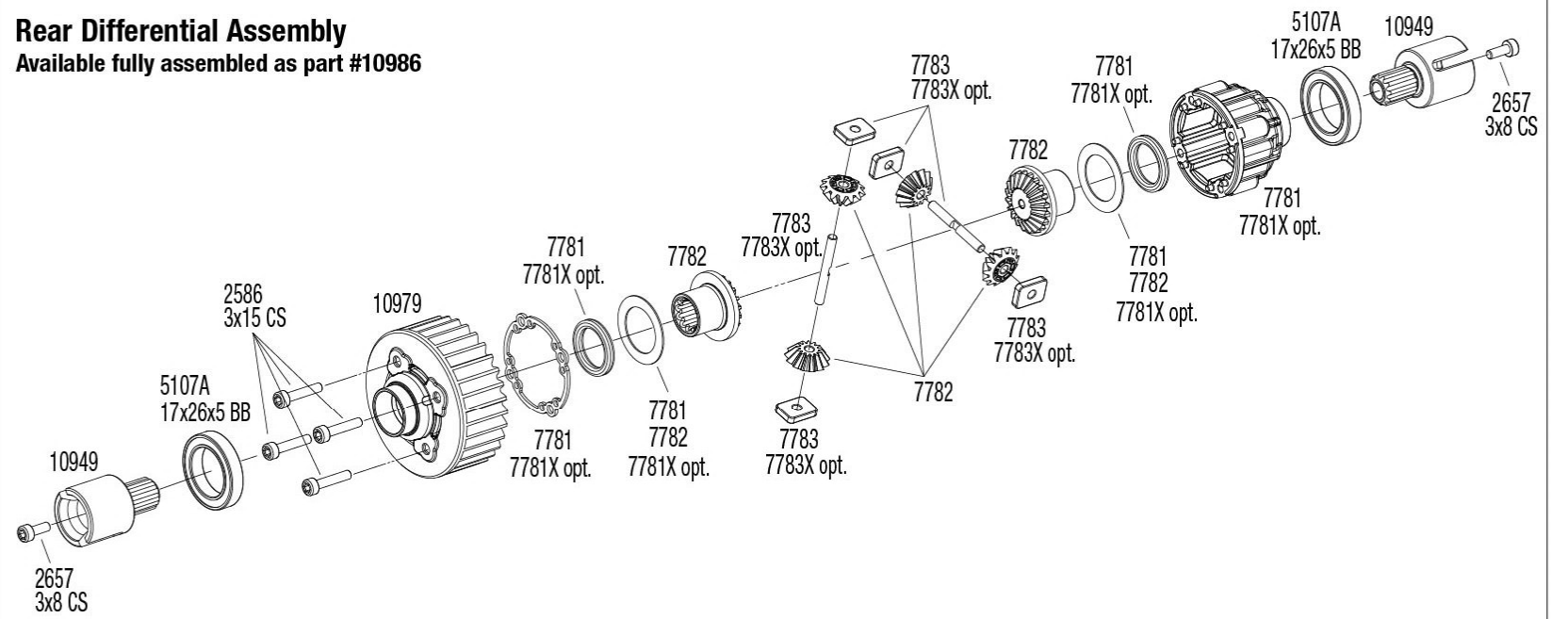
## Rear Assembly

See Parts List for a complete listing of optional accessories.

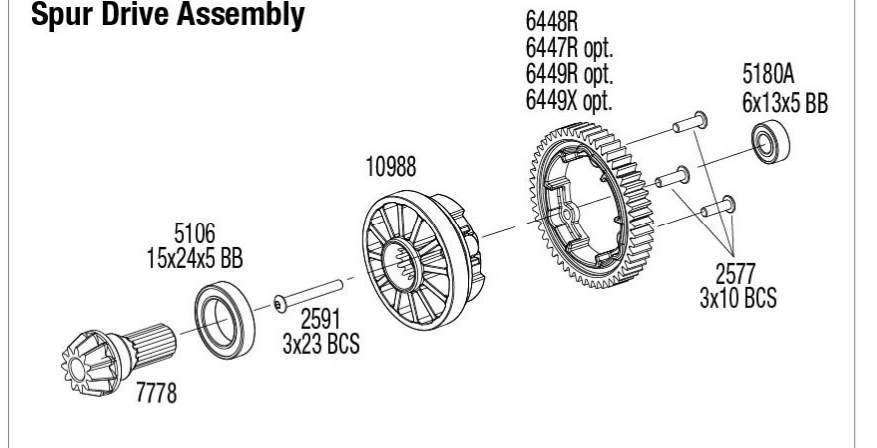
Specifications on this page are subject to change without notice. Every attempt has been made to ensure the accuracy of this drawing; however, Traxxas cannot be held responsible for typographical or other errors.



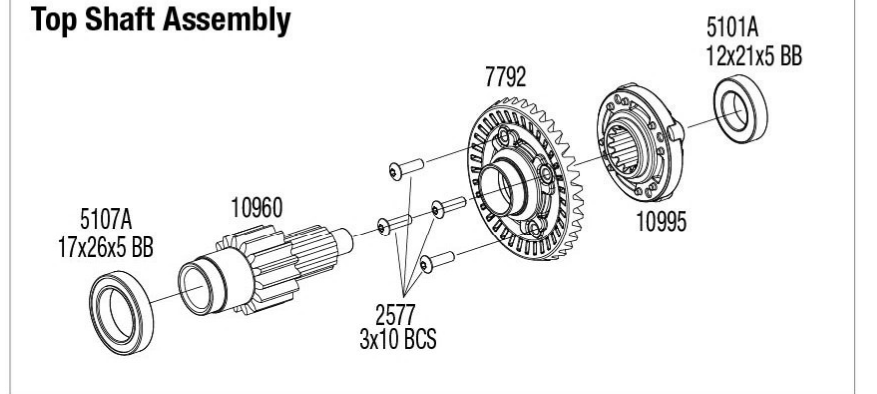
**Rear Differential Assembly**  
Available fully assembled as part #10986



**Spur Drive Assembly**



**Top Shaft Assembly**



**PRO SCALE  
SAND CAR**

**Transmission Assembly**

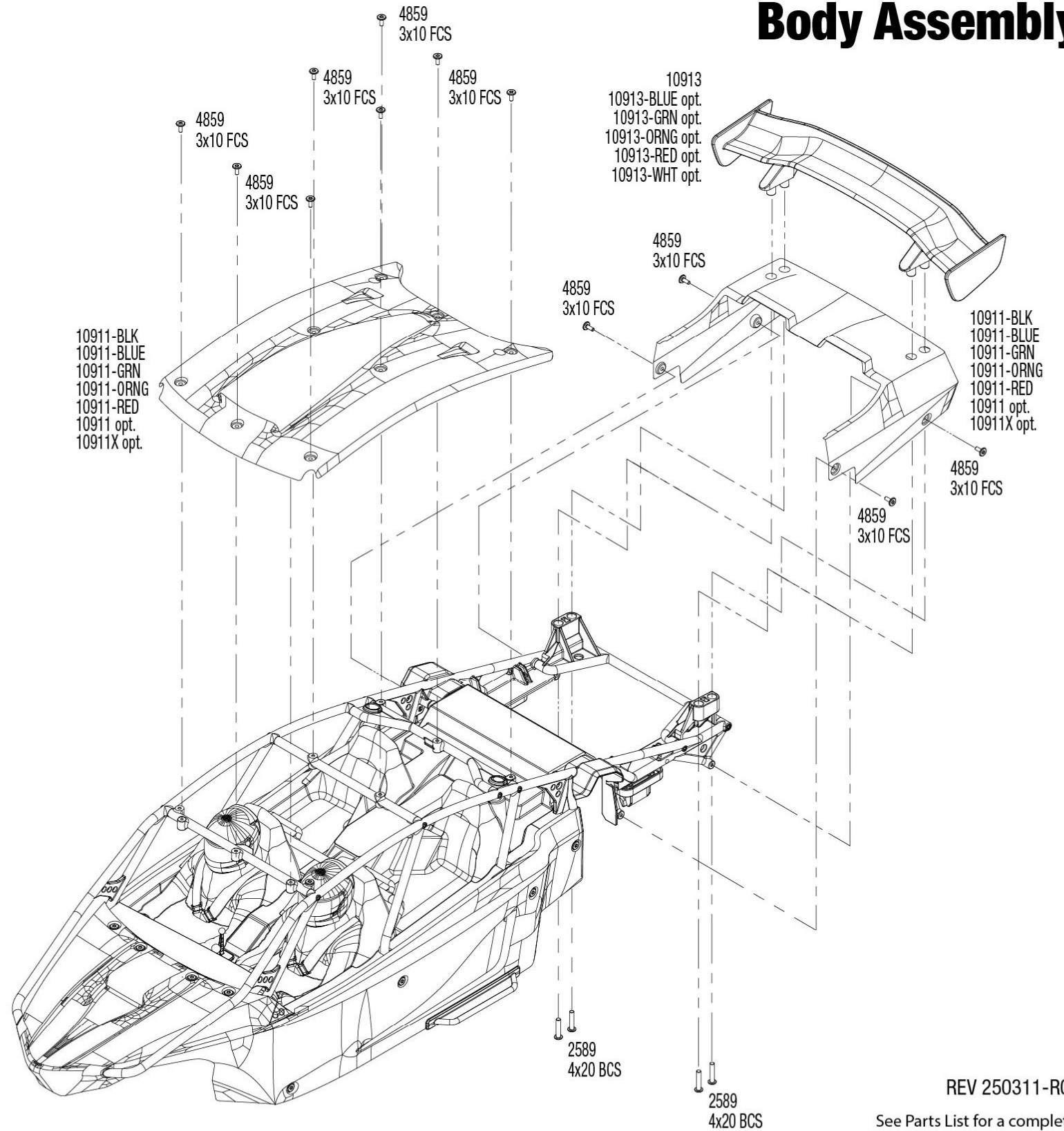
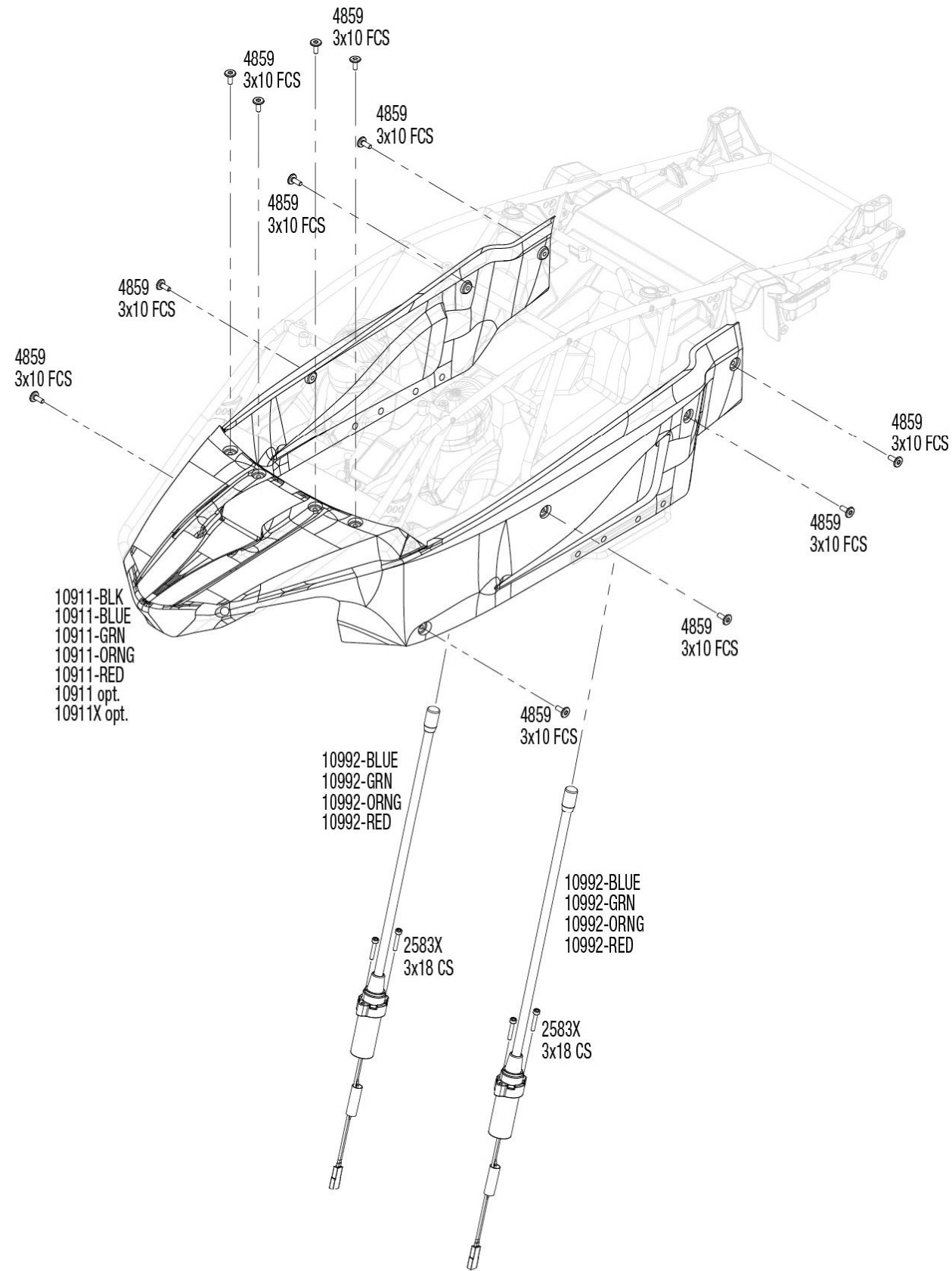
REV 250311-R03

See Parts List for a complete listing of optional accessories.

Specifications on this page are subject to change without notice. Every attempt has been made to ensure the accuracy of this drawing; however, Traxxas cannot be held responsible for typographical or other errors.

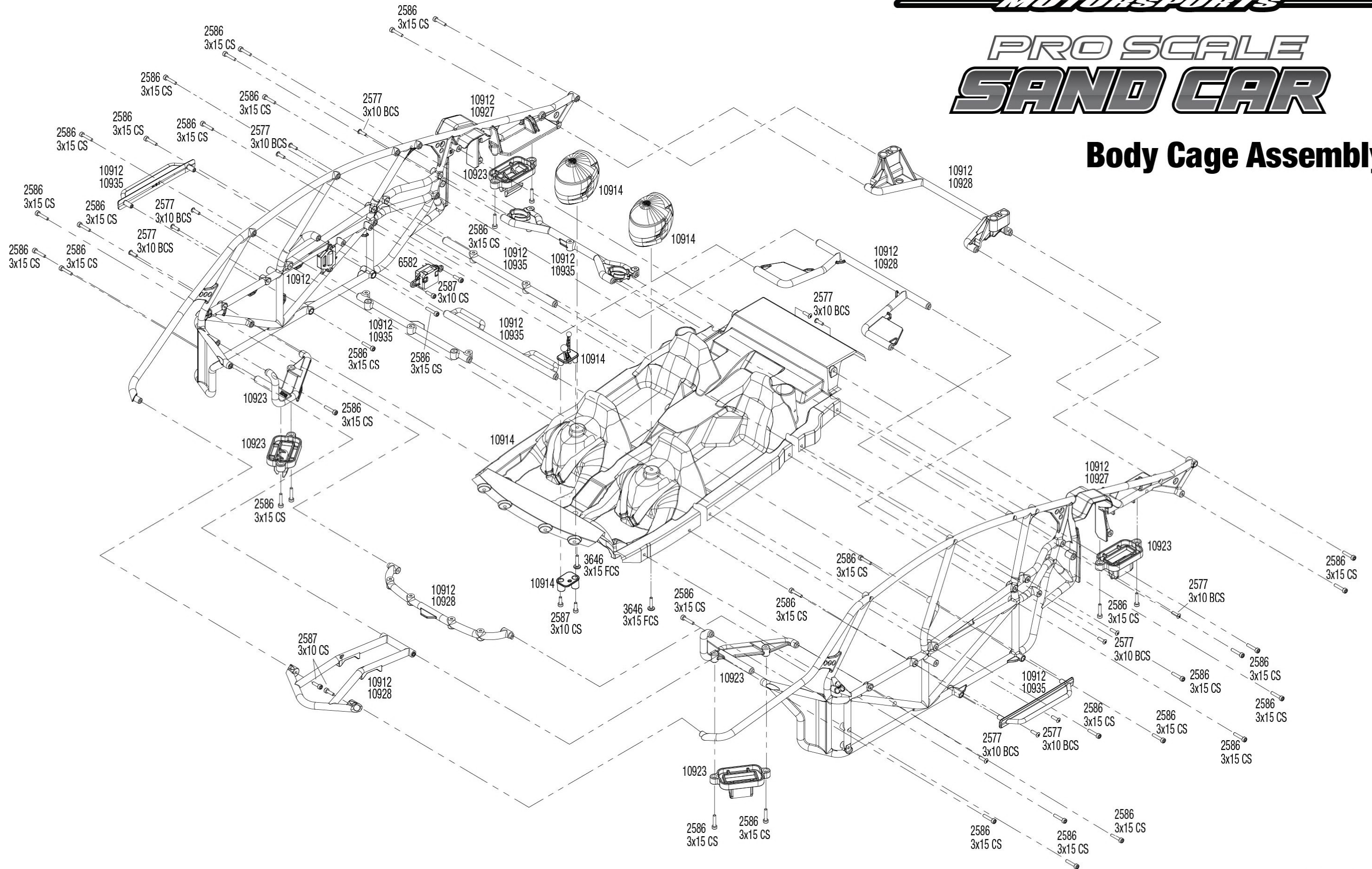
## PRO SCALE SAND CAR

### Body Assembly

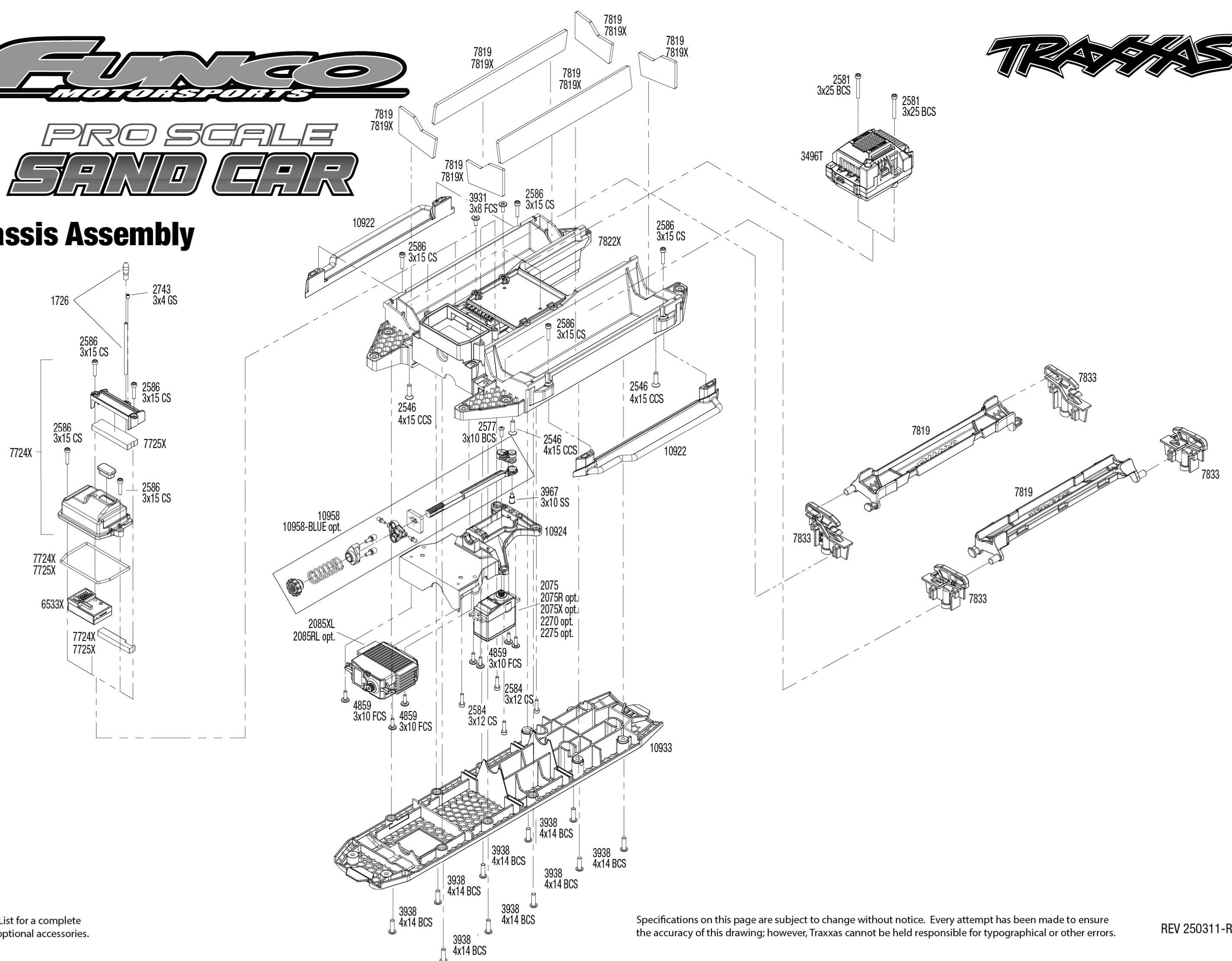


## PRO SCALE SAND CAR

### Body Cage Assembly



### Chassis Assembly



See Parts List for a complete listing of optional accessories.

Specifications on this page are subject to change without notice. Every attempt has been made to ensure the accuracy of this drawing; however, Traxxas cannot be held responsible for typographical or other errors.

REV 250311-R03