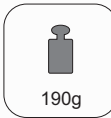


MXS-C



Kit Contents:

- *Fuselage
- *Wings
- *Canopy
- *Vertical Stab
- *Torsion Strips

- *Horizontal Stab
- *SFG's
- *Landing gear
- *Accessory Pack

- *Wing Spar
- *Carbon parts:
 - 2x 5x1x200 ... Landing gear
 - 2x 1,5x250 ... Stabs pushrods

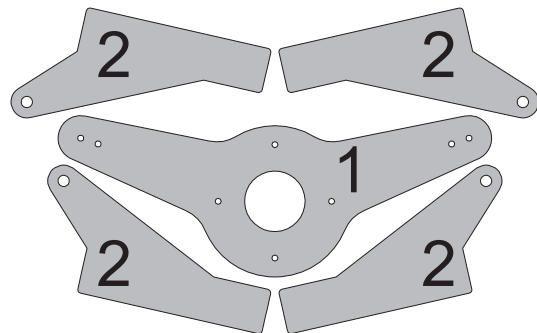
Accessory Pack Contents:

- 1x control/servo horns set- plastic frame
- 1x motor mount
- 6x plastic clevises
- Heatshrink tube 6 cm
- 4x adjustable link+quicklock washer
- Landing gear plywood parts, wheels

- 2x 1,5x150mm ... ail pushrods
- 2x 1,5x15mm ... wheel axles
- 1x 3x0,5x150 ... elevator reinforcement

Plastic frame:

1. Aileron servo arm extensions
2. Horizontal+Vertical stab, Aileron horn



You Will Also Need:

- * sharp hobby knife
- * screwdriver
- * pliers

- * round needle file
- * CA medium+thin, CA kicker
- * ruler
- * sandpaper 100-500

