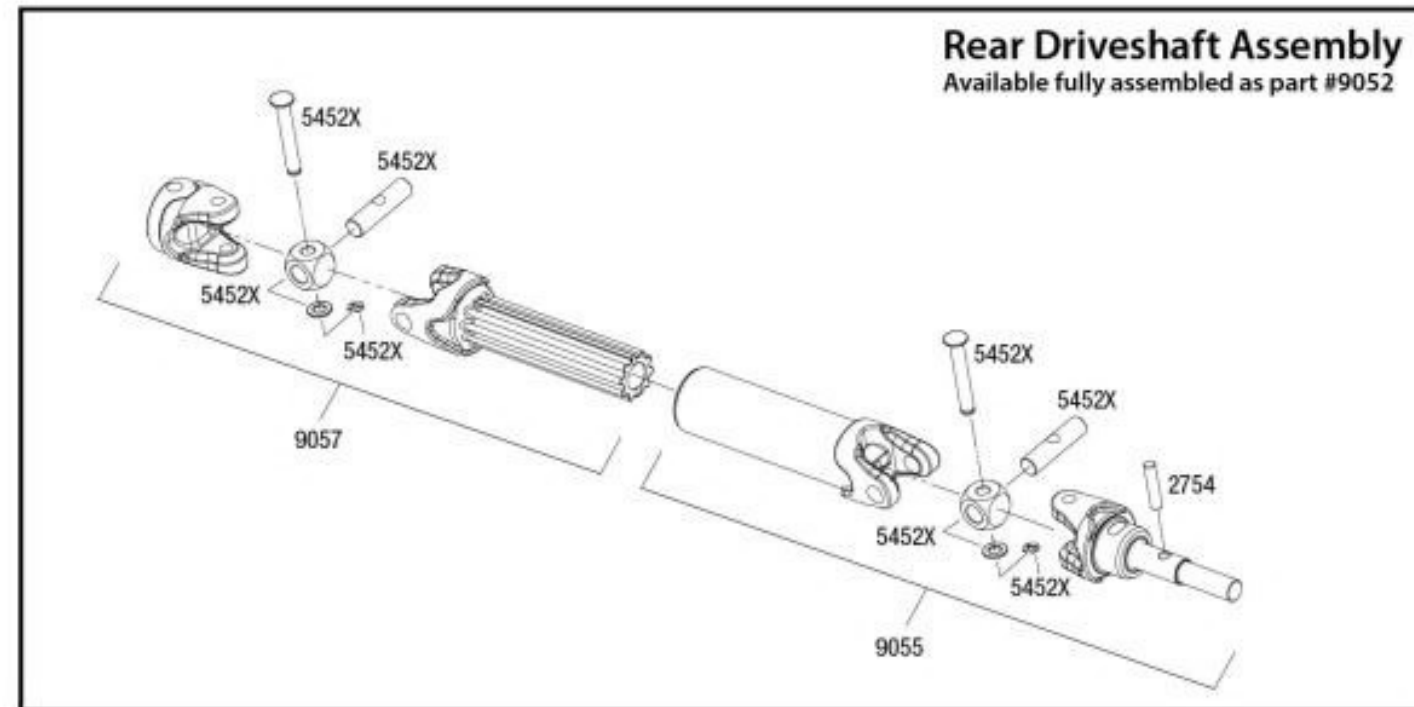
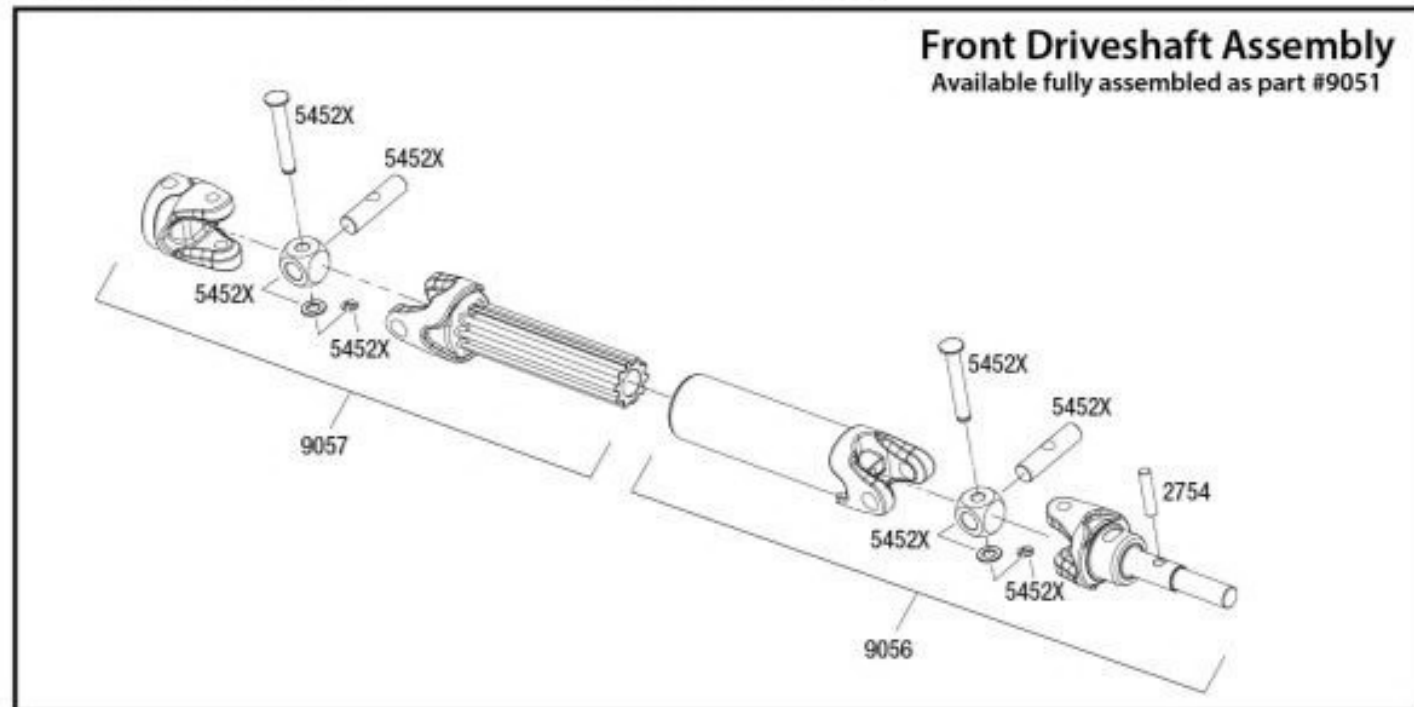
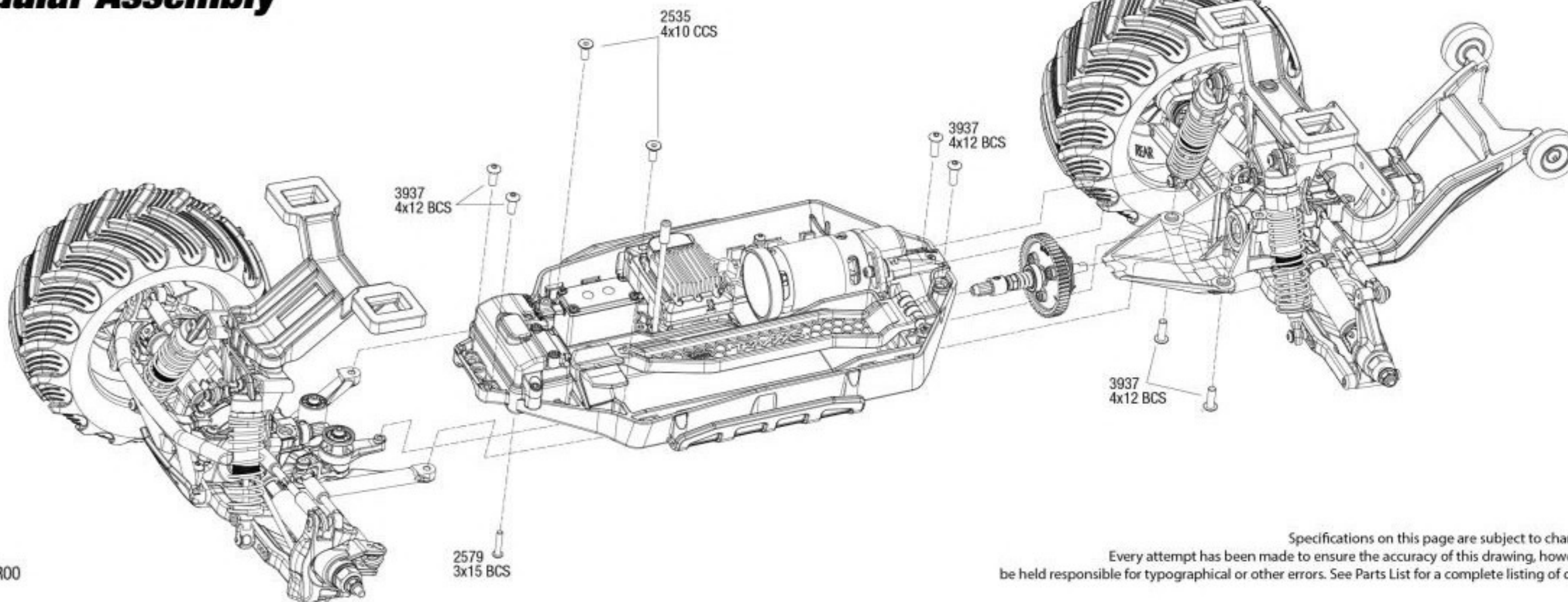
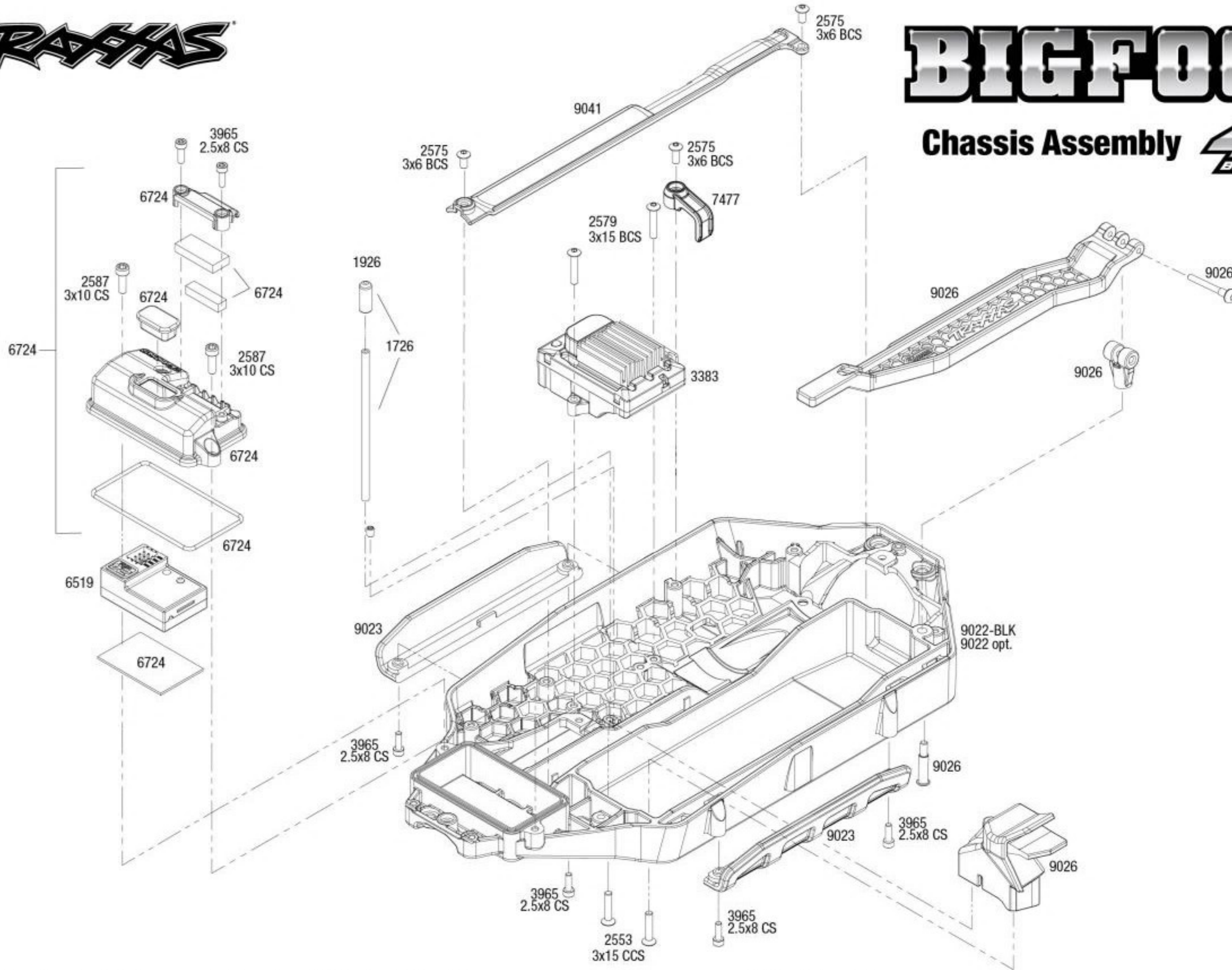


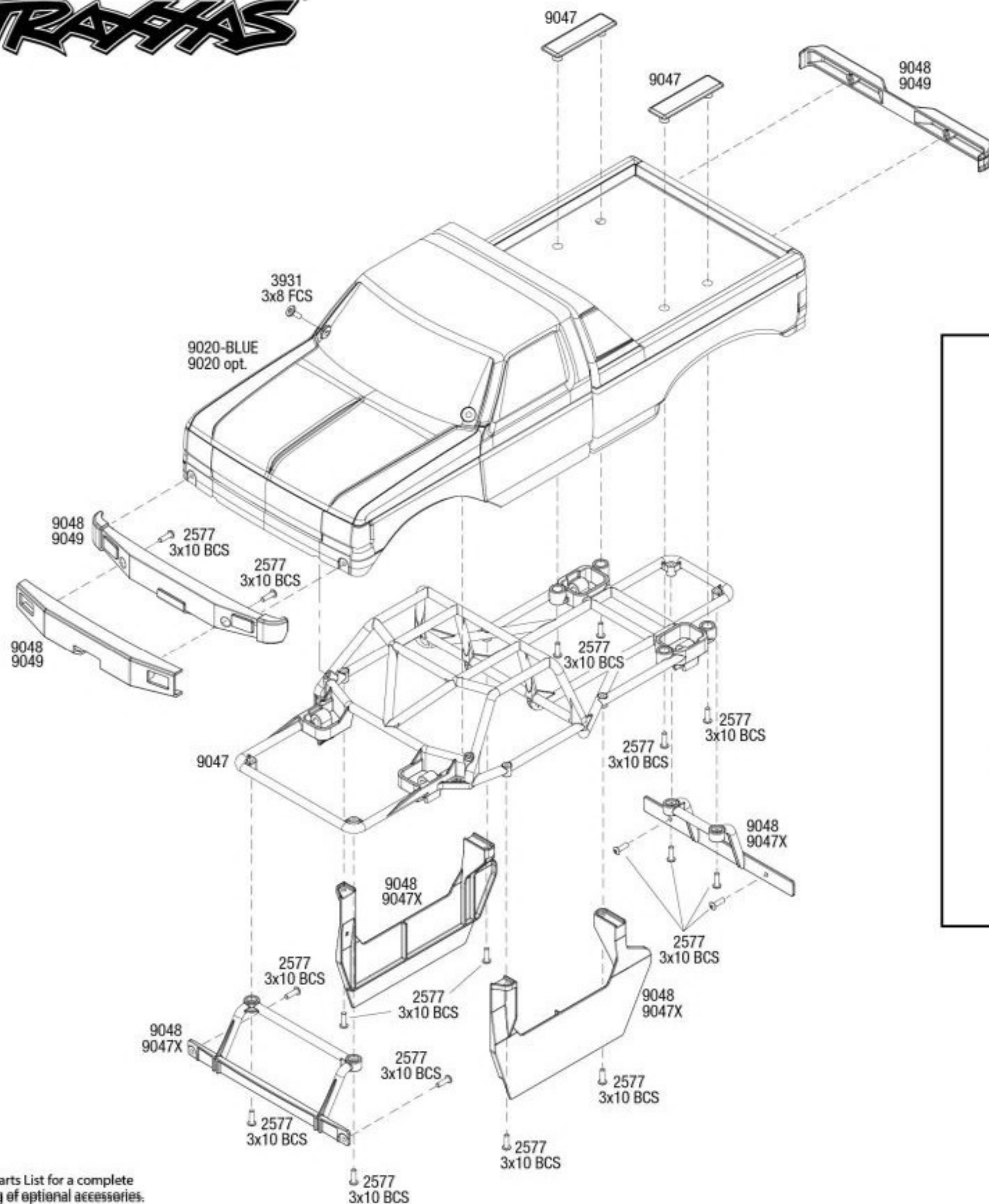
Driveshafts



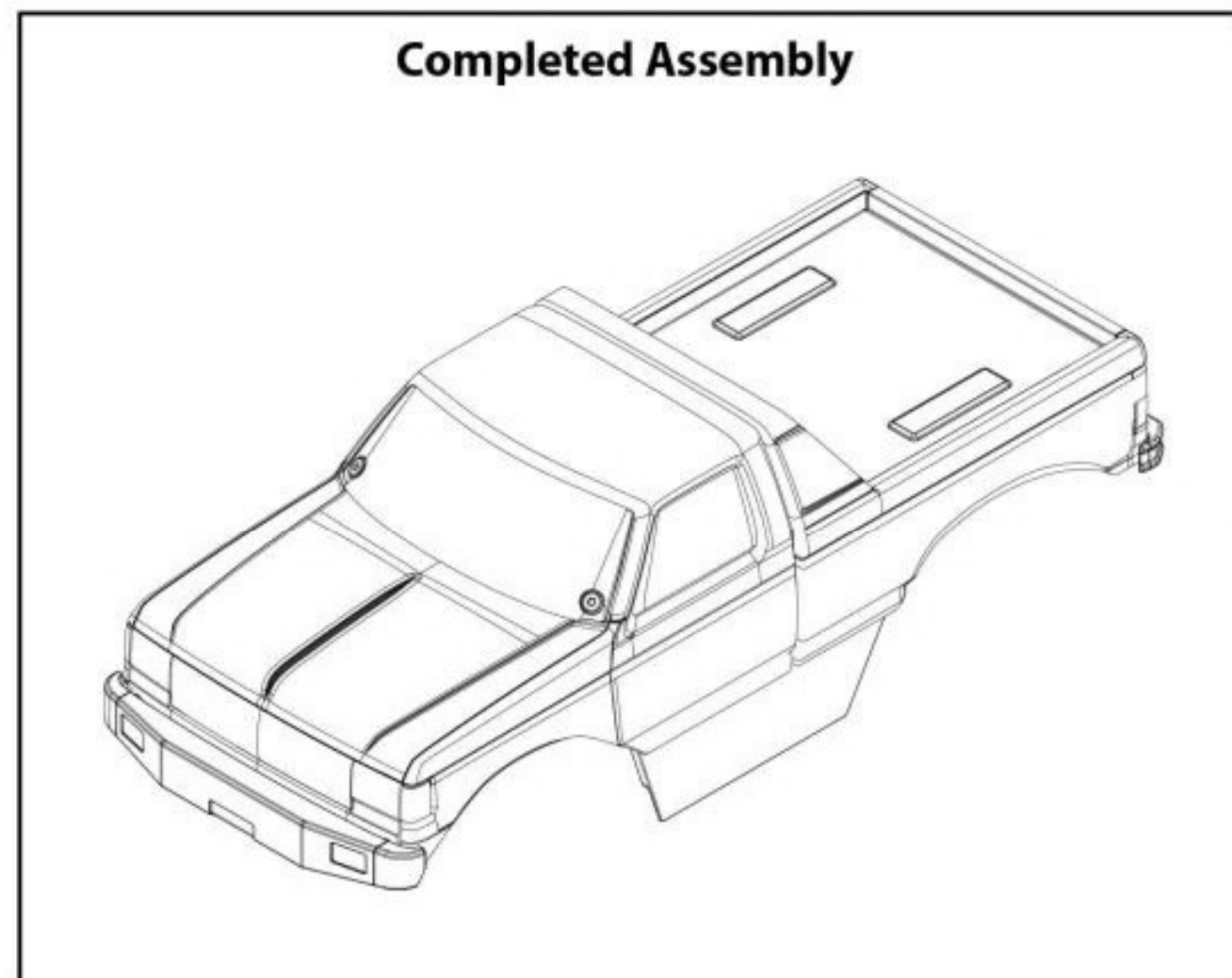
Modular Assembly

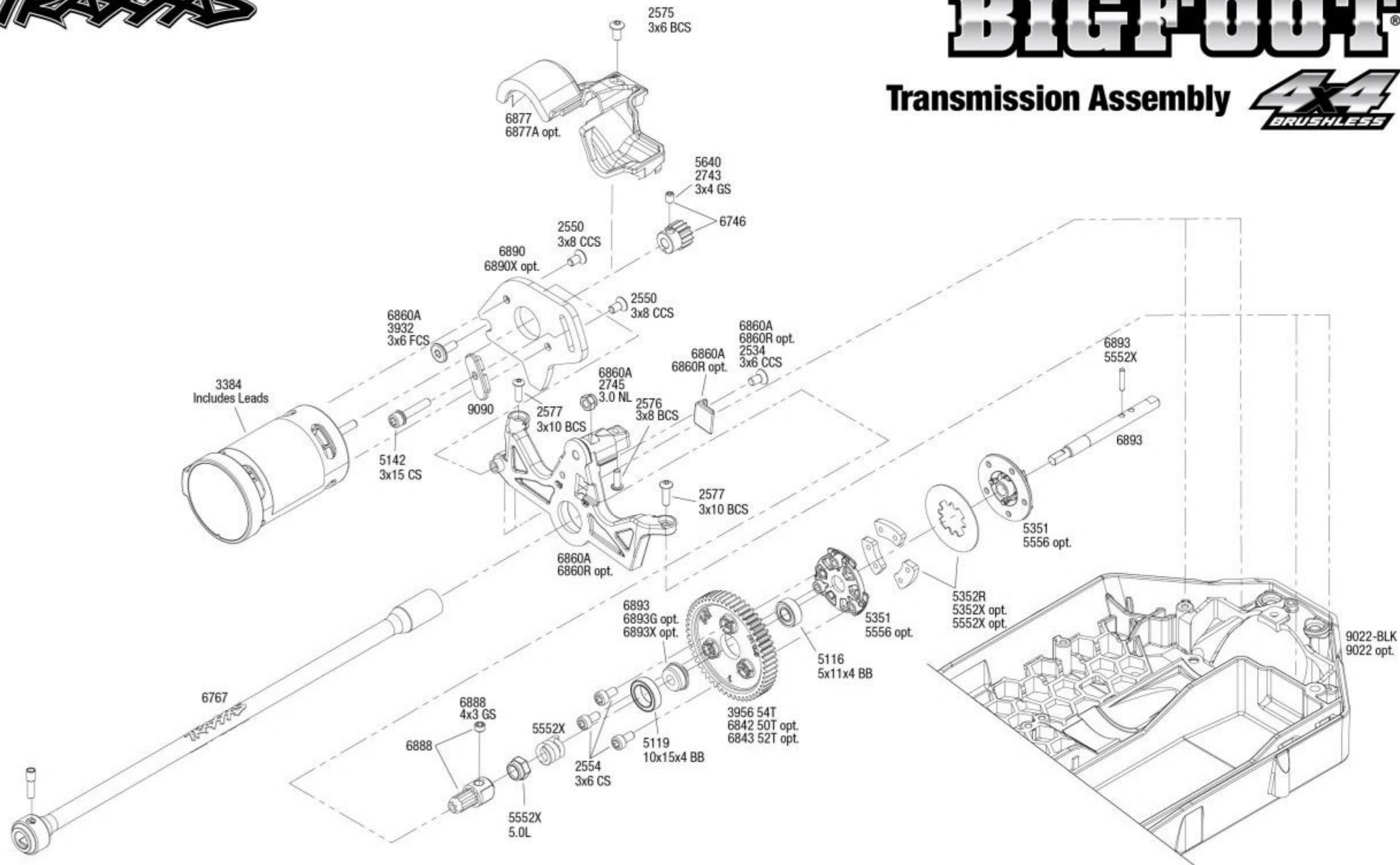




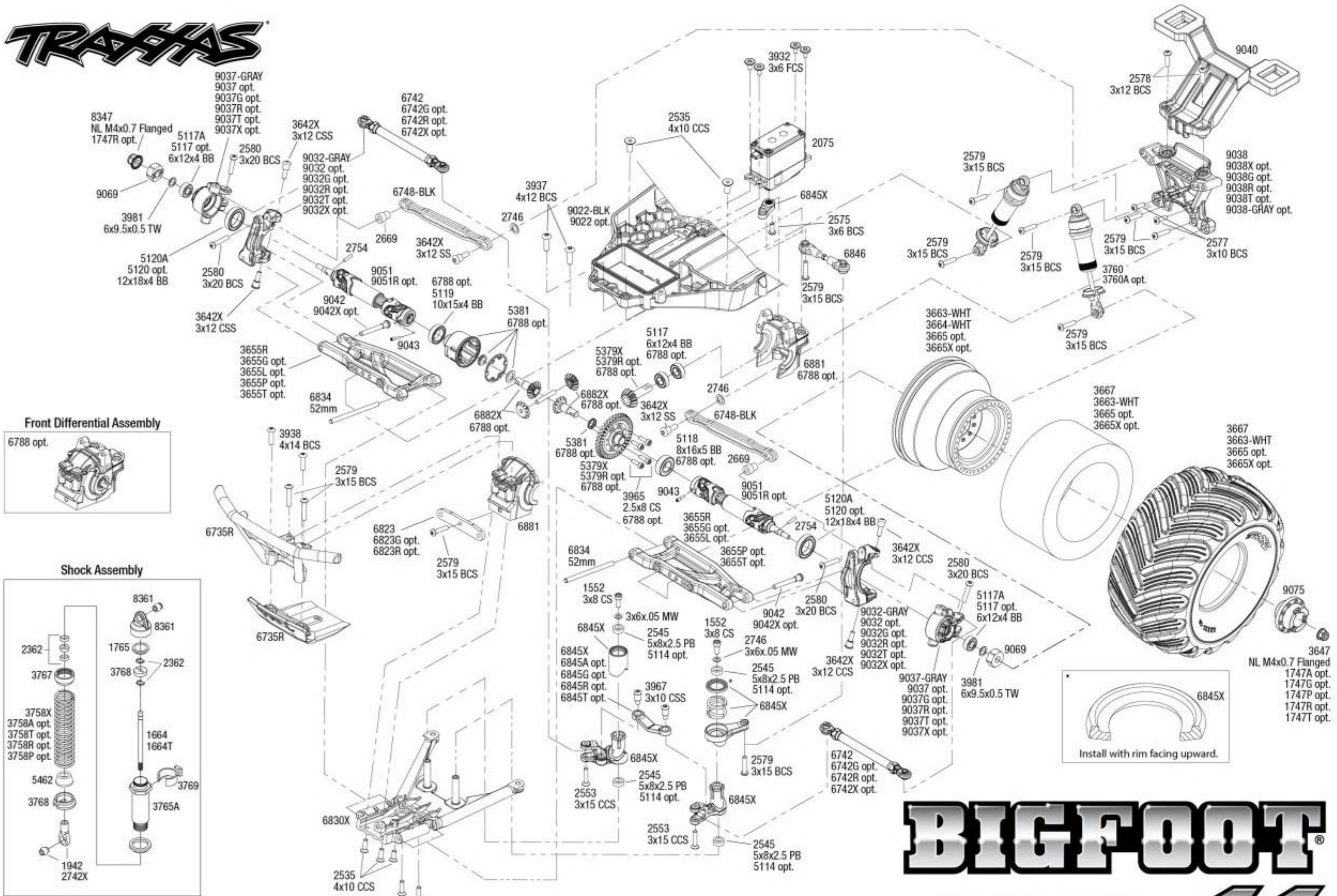


Completed Assembly





TRAXXAS



REV 240919-R00
See Parts List for a complete listing of optional accessories.

Specifications on this page are subject to change without notice. Every attempt has been made to ensure the accuracy of this drawing; however, Traxxas cannot be held responsible for typographical or other errors.

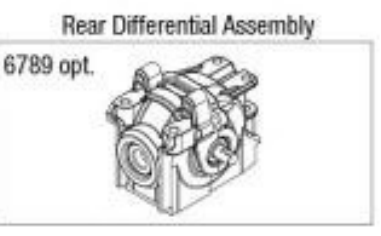
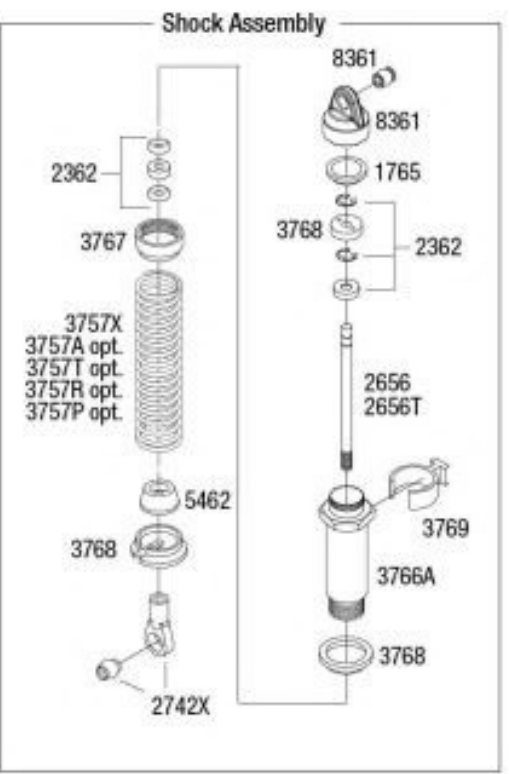
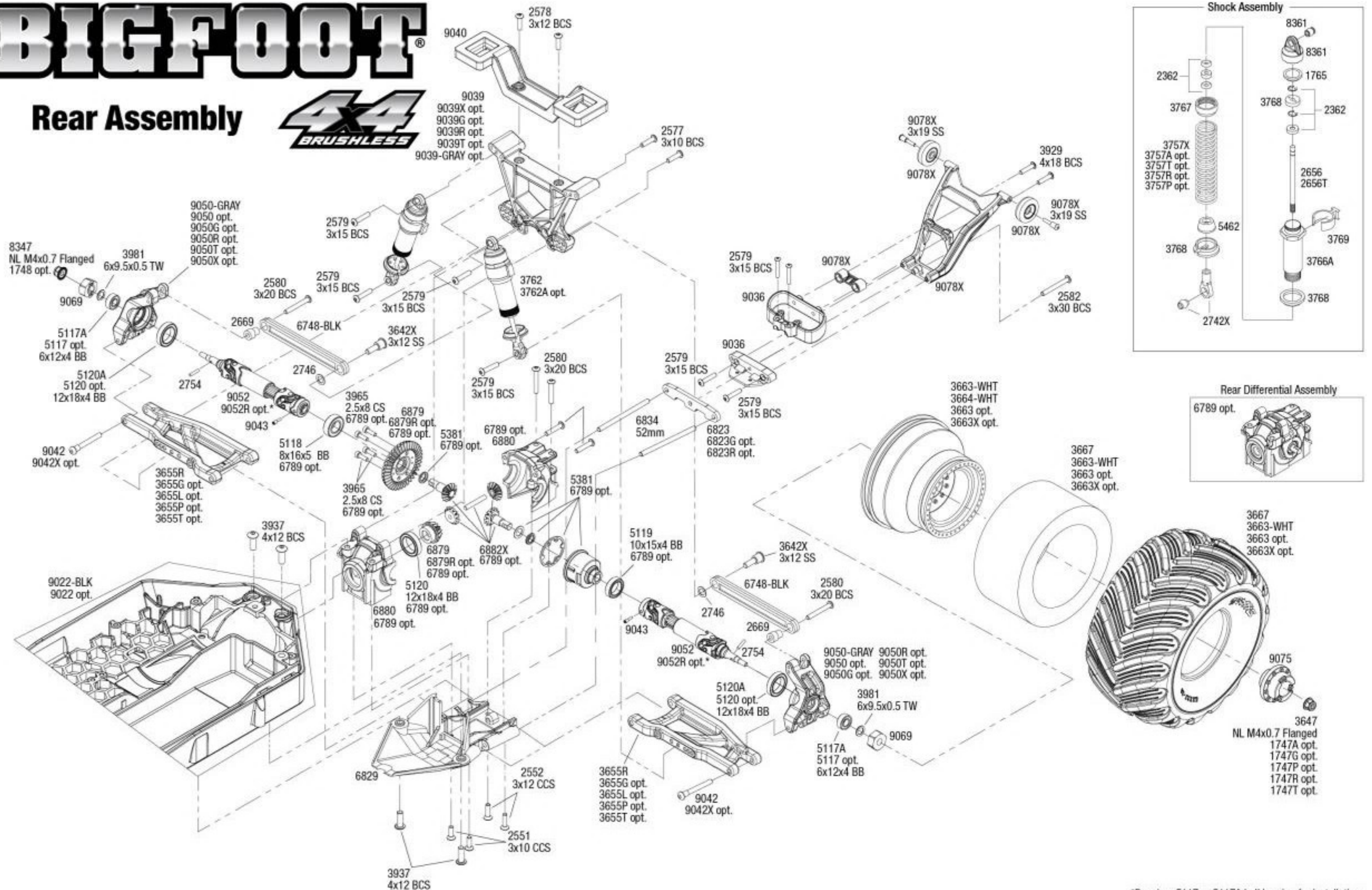
BIGFOOT®

Front Assembly

4x4 BRUSHLESS

BIGFOOT®

Rear Assembly



*Requires 5117 or 5117A ball bearing for installation.



See Parts List for a complete listing of optional accessories.

Specifications on this page are subject to change without notice. Every attempt has been made to ensure the accuracy of this drawing; however, Traxxas cannot be held responsible for typographical or other errors.

REV 240919-R00