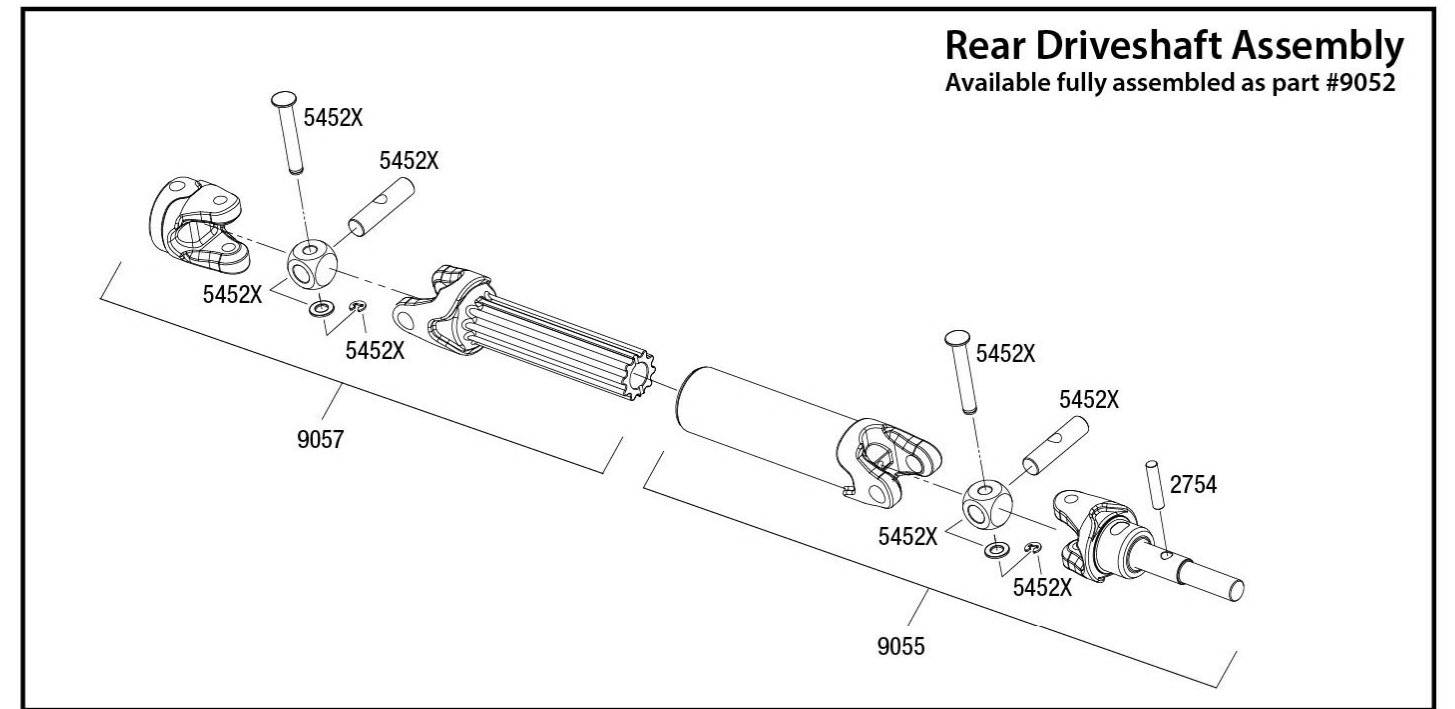
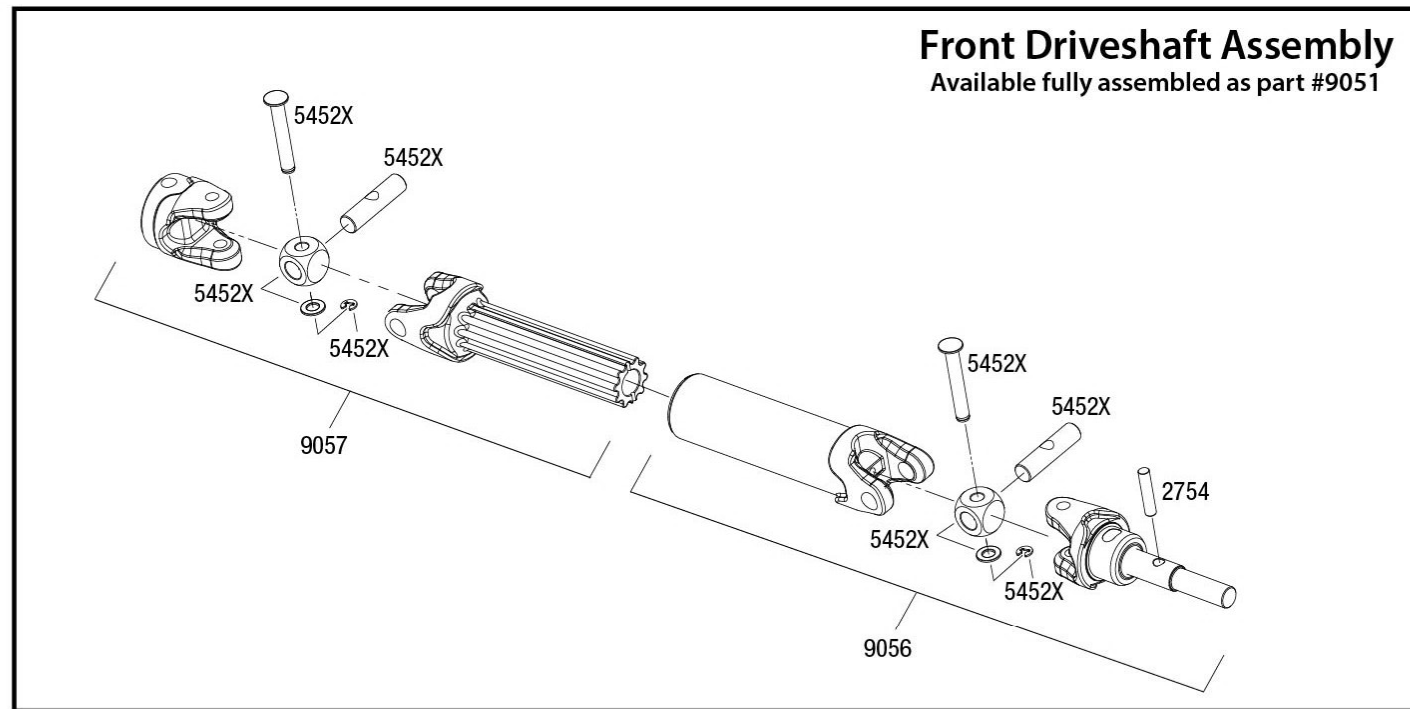
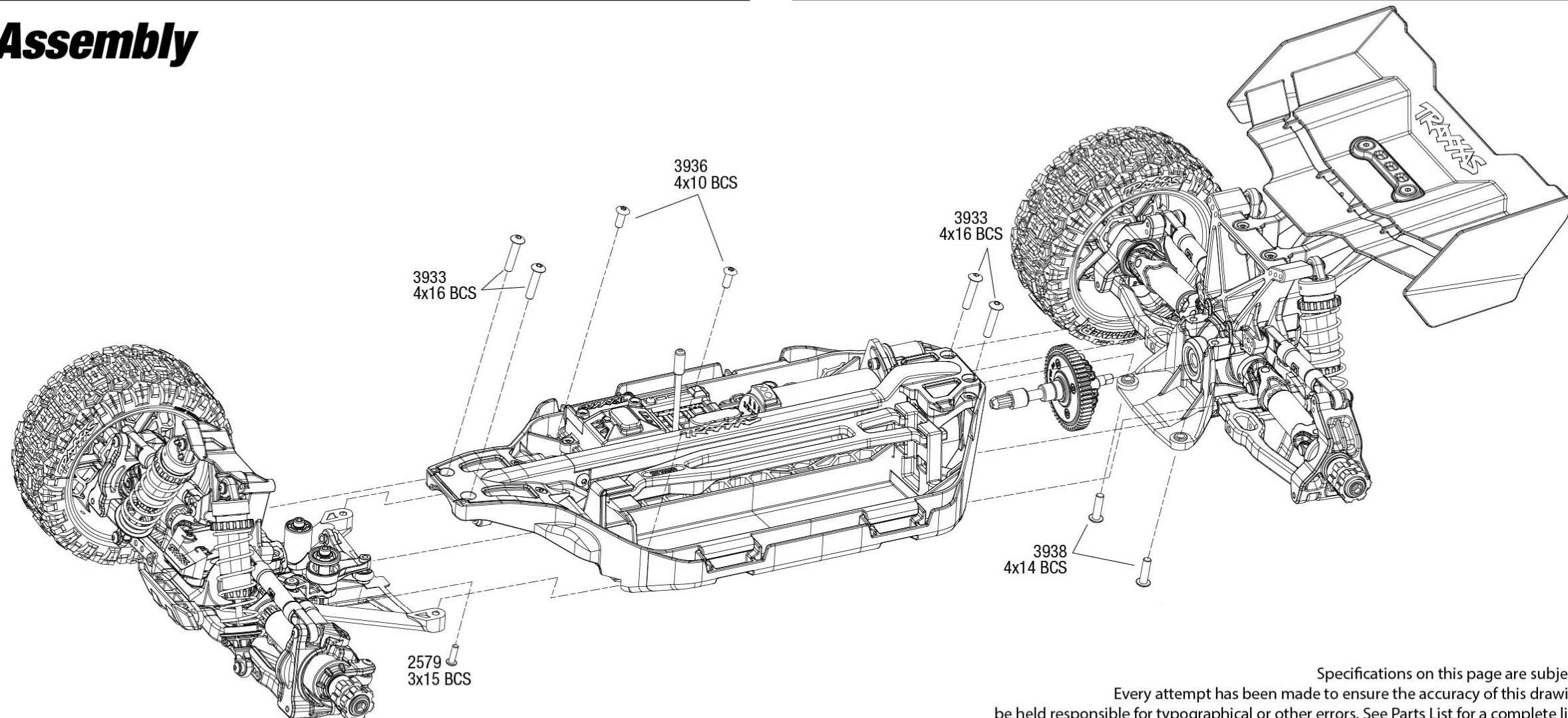


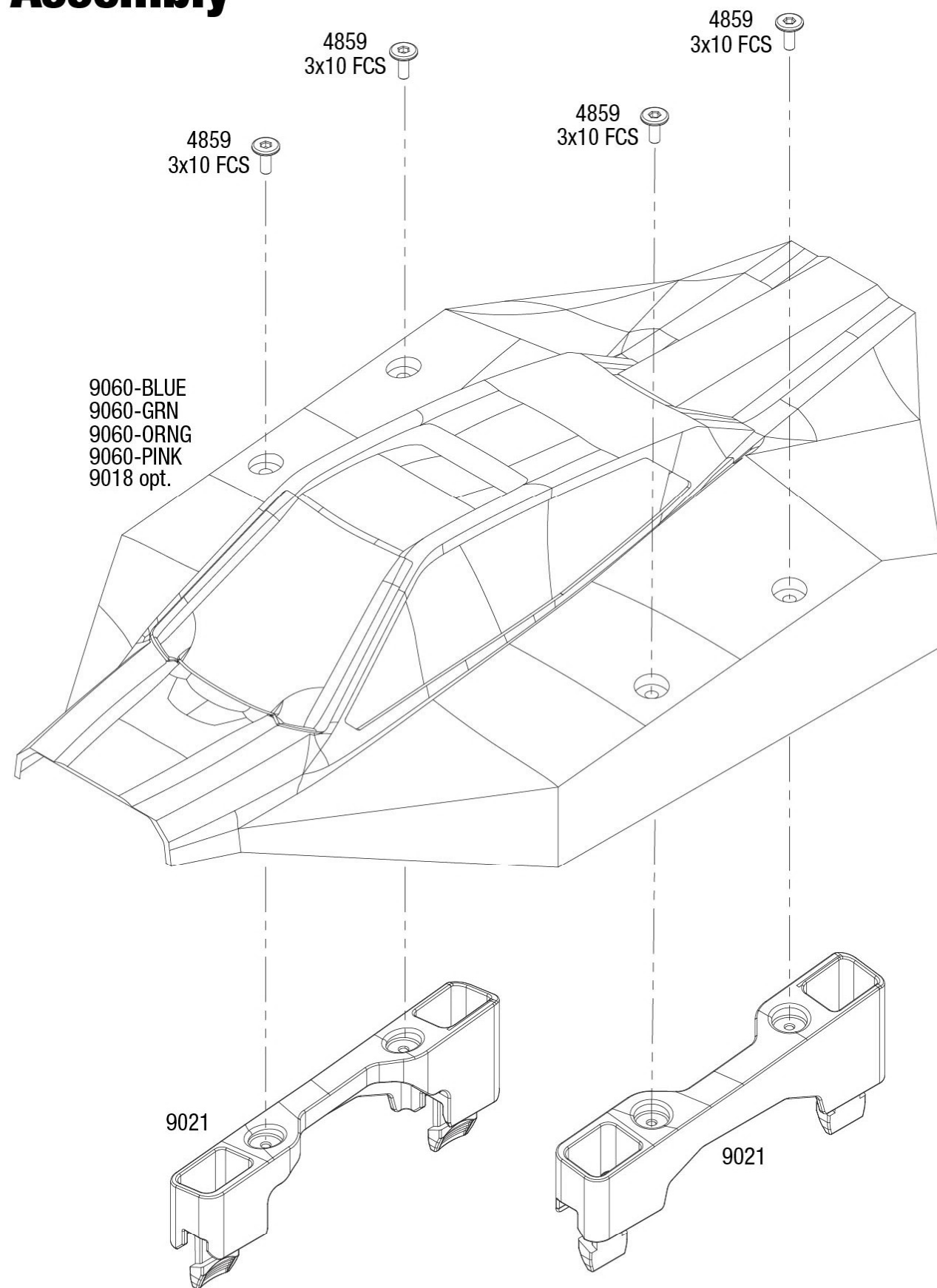
Driveshafts



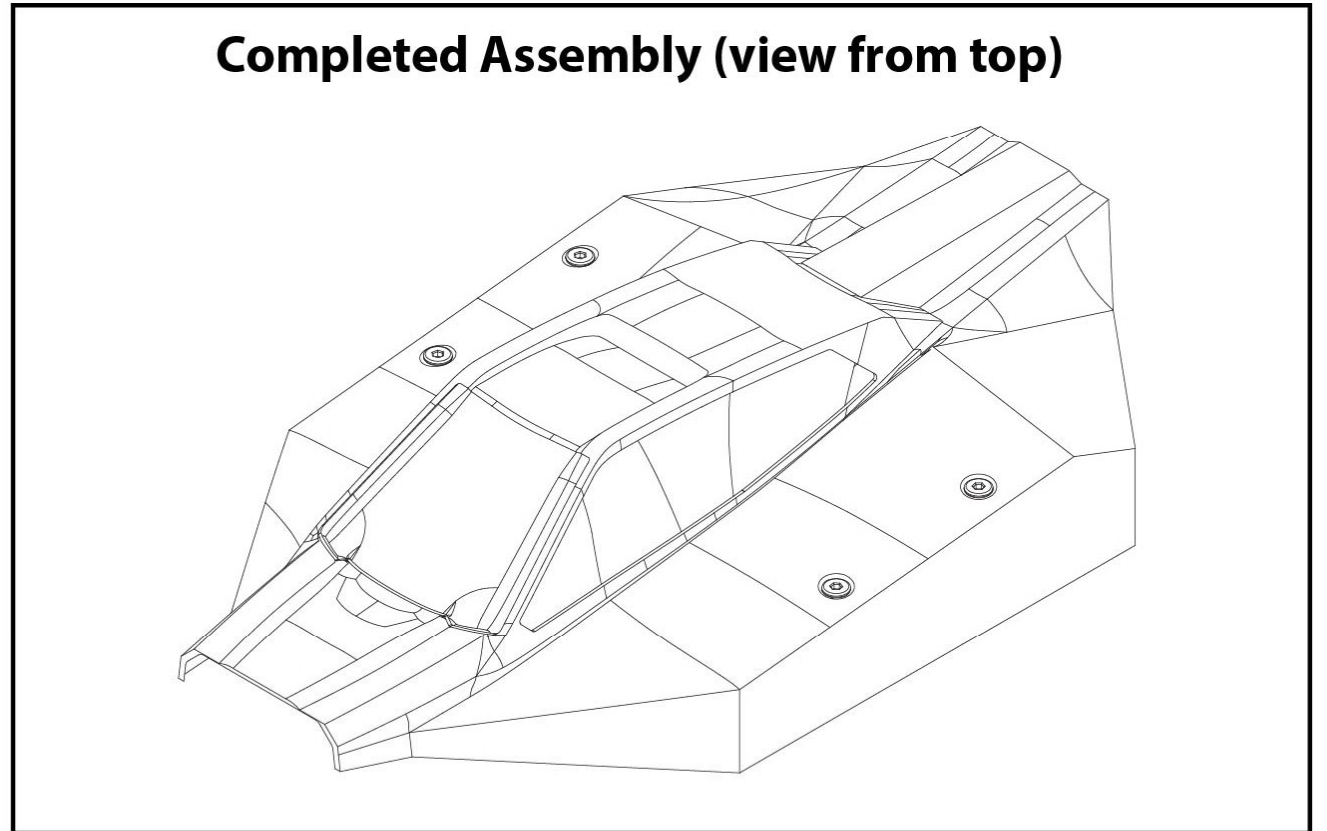
Modular Assembly



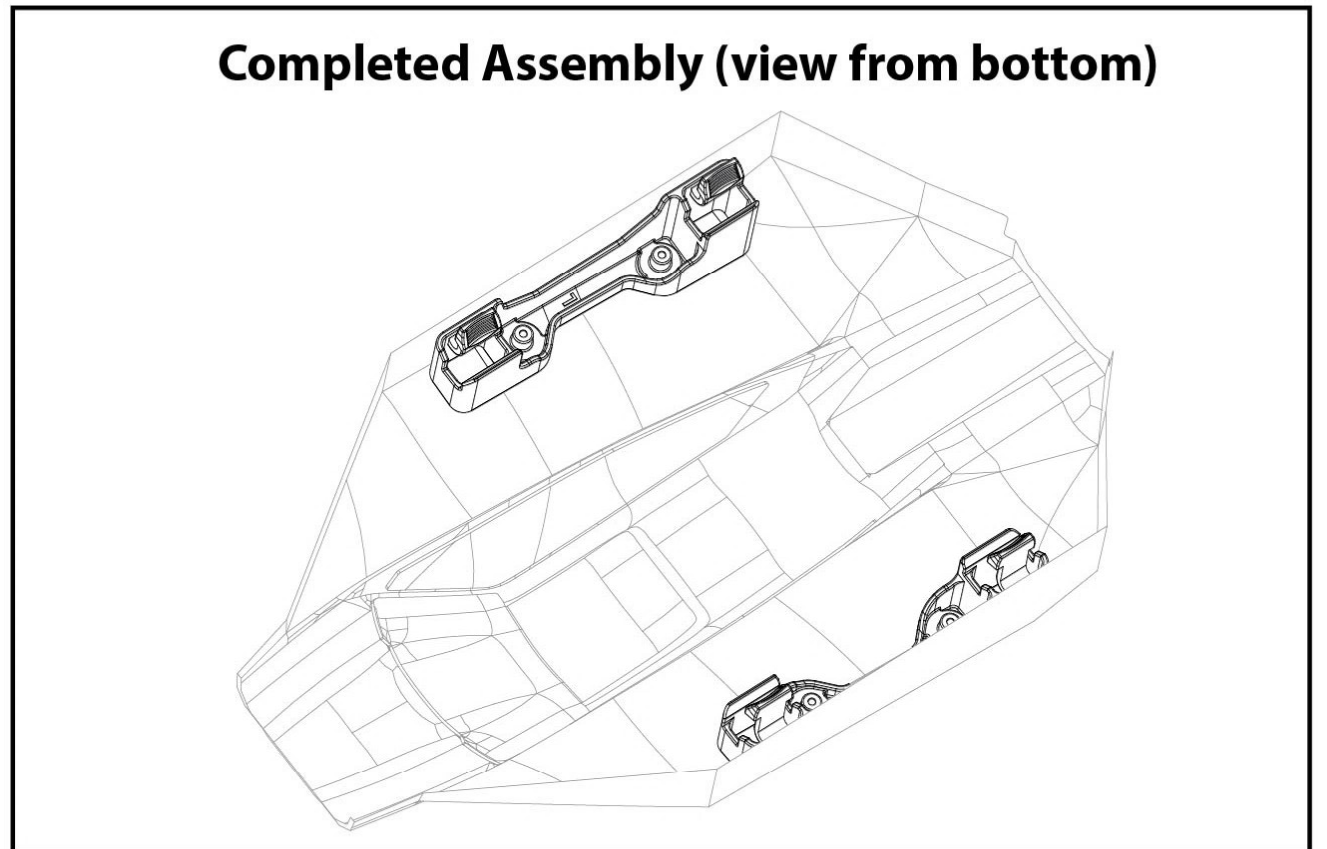
Body Assembly



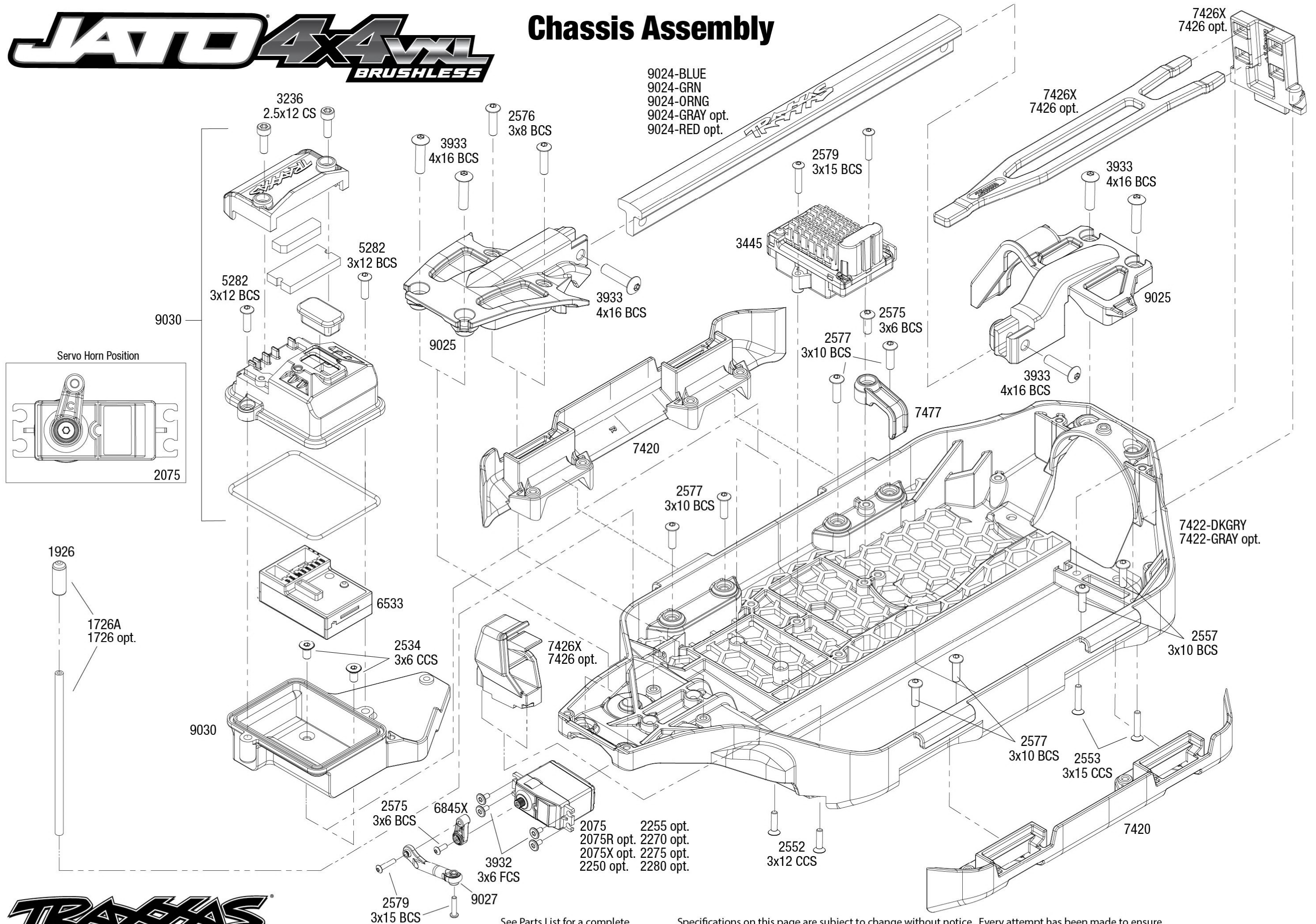
Completed Assembly (view from top)



Completed Assembly (view from bottom)

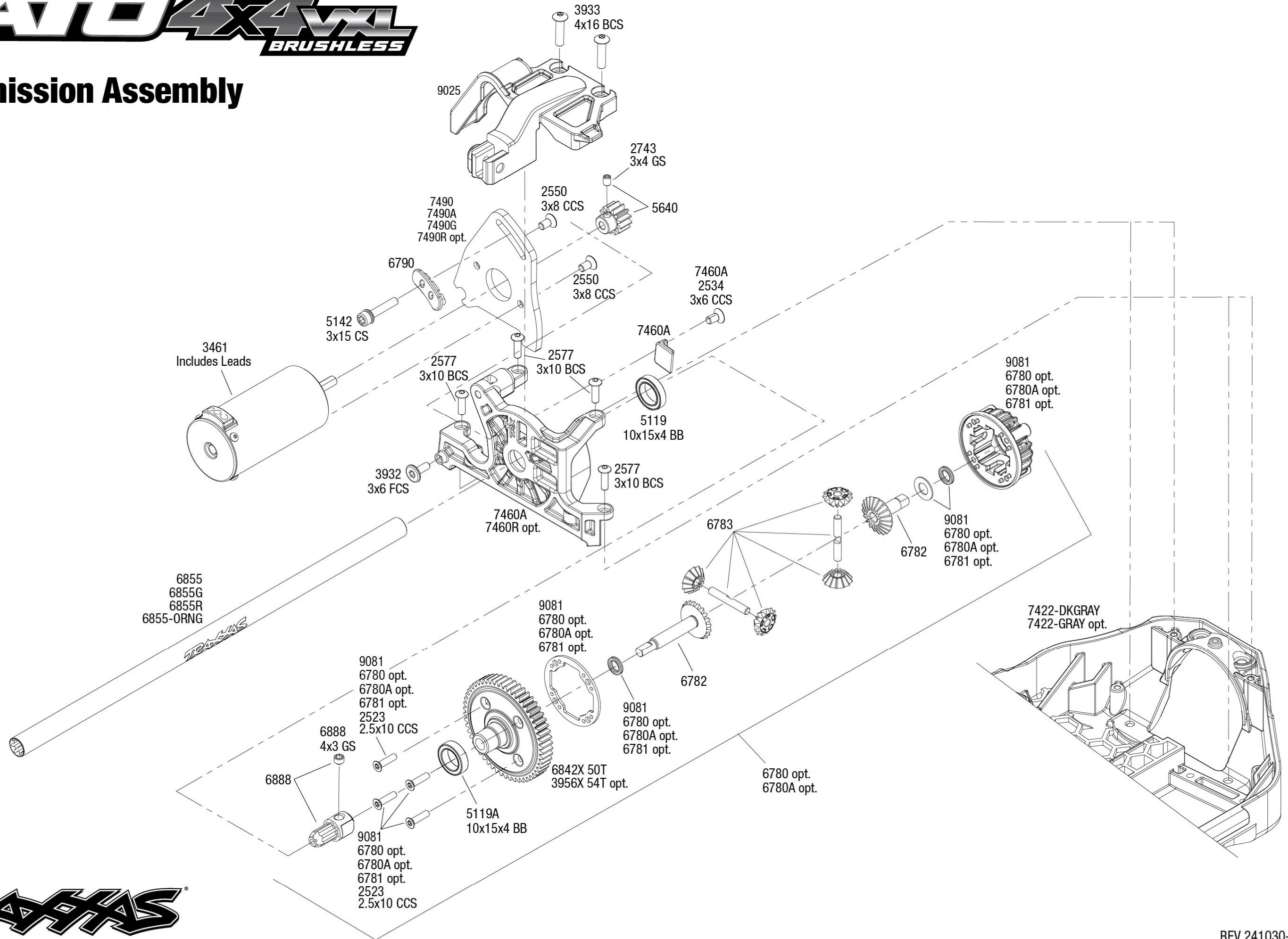


Chassis Assembly



JATO 4x4XL BRUSHLESS

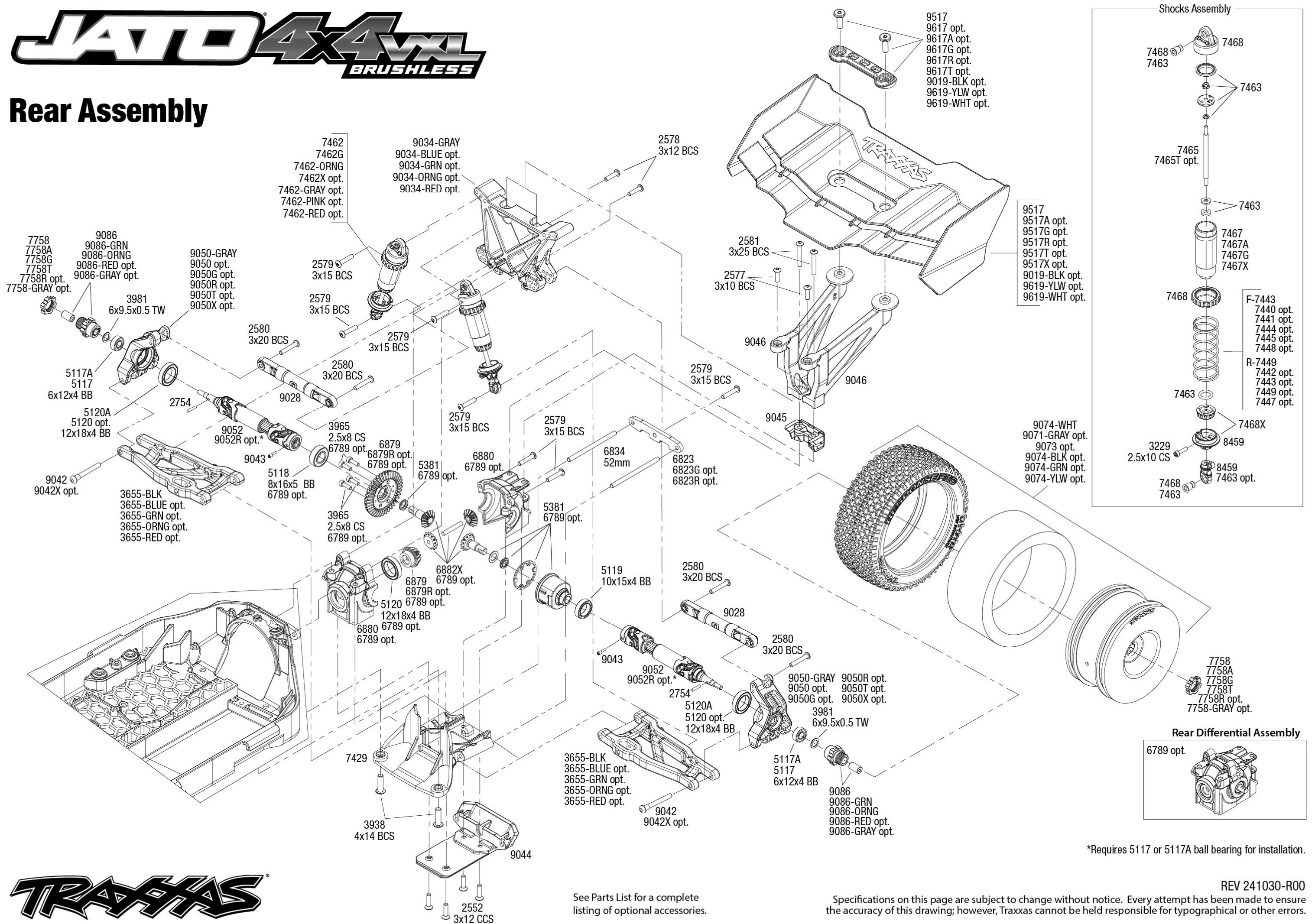
Transmission Assembly



See Parts List for a complete listing of optional accessories.

REV 241030-R00
 Specifications on this page are subject to change without notice. Every attempt has been made to ensure the accuracy of this drawing; however, Traxxas cannot be held responsible for typographical or other errors.

Rear Assembly



*Requires 5117 or 5117A ball bearing for installation.



See Parts List for a complete listing of optional accessories.

Specifications on this page are subject to change without notice. Every attempt has been made to ensure the accuracy of this drawing; however, Traxxas cannot be held responsible for typographical or other errors.

