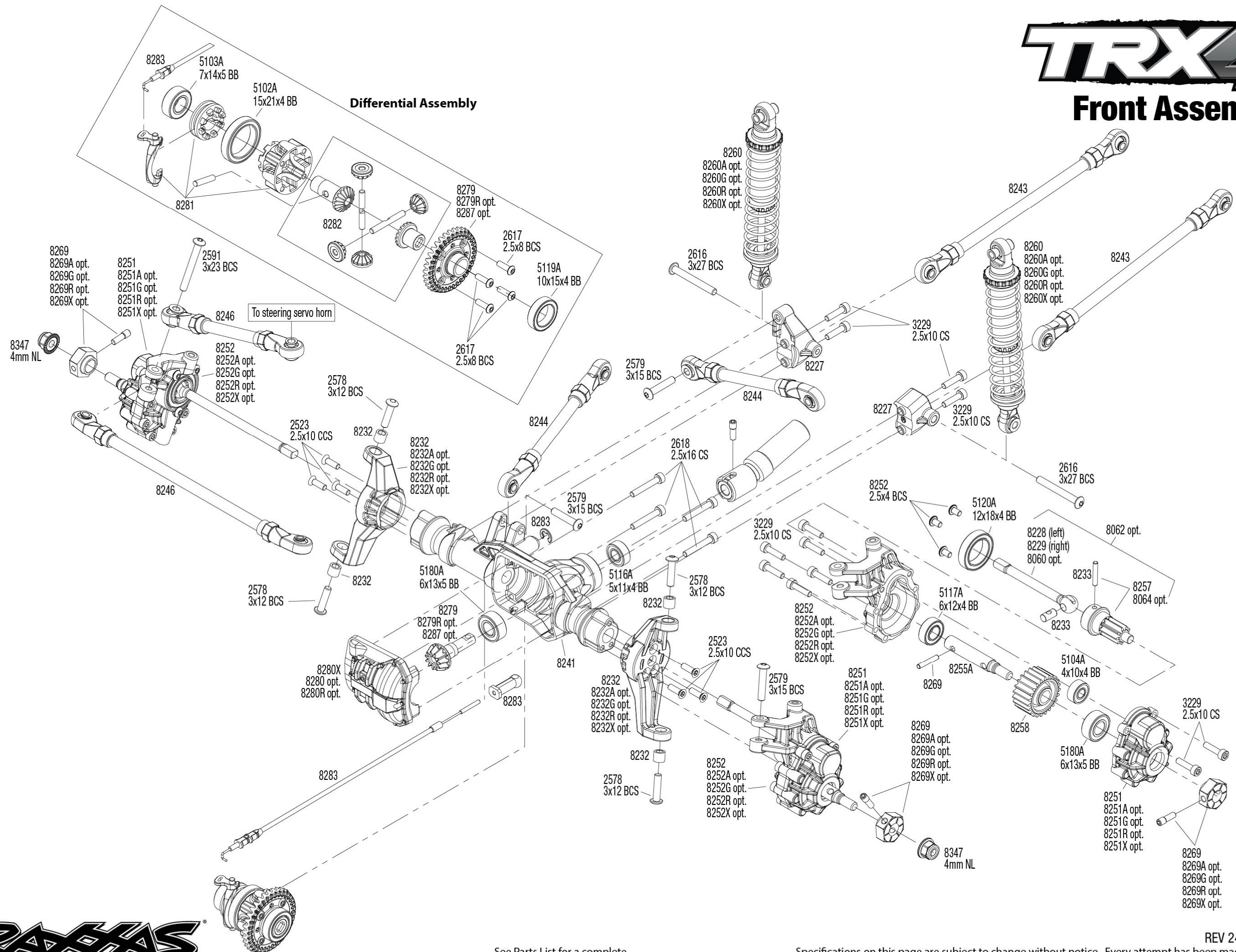


# TRX4<sup>®</sup>

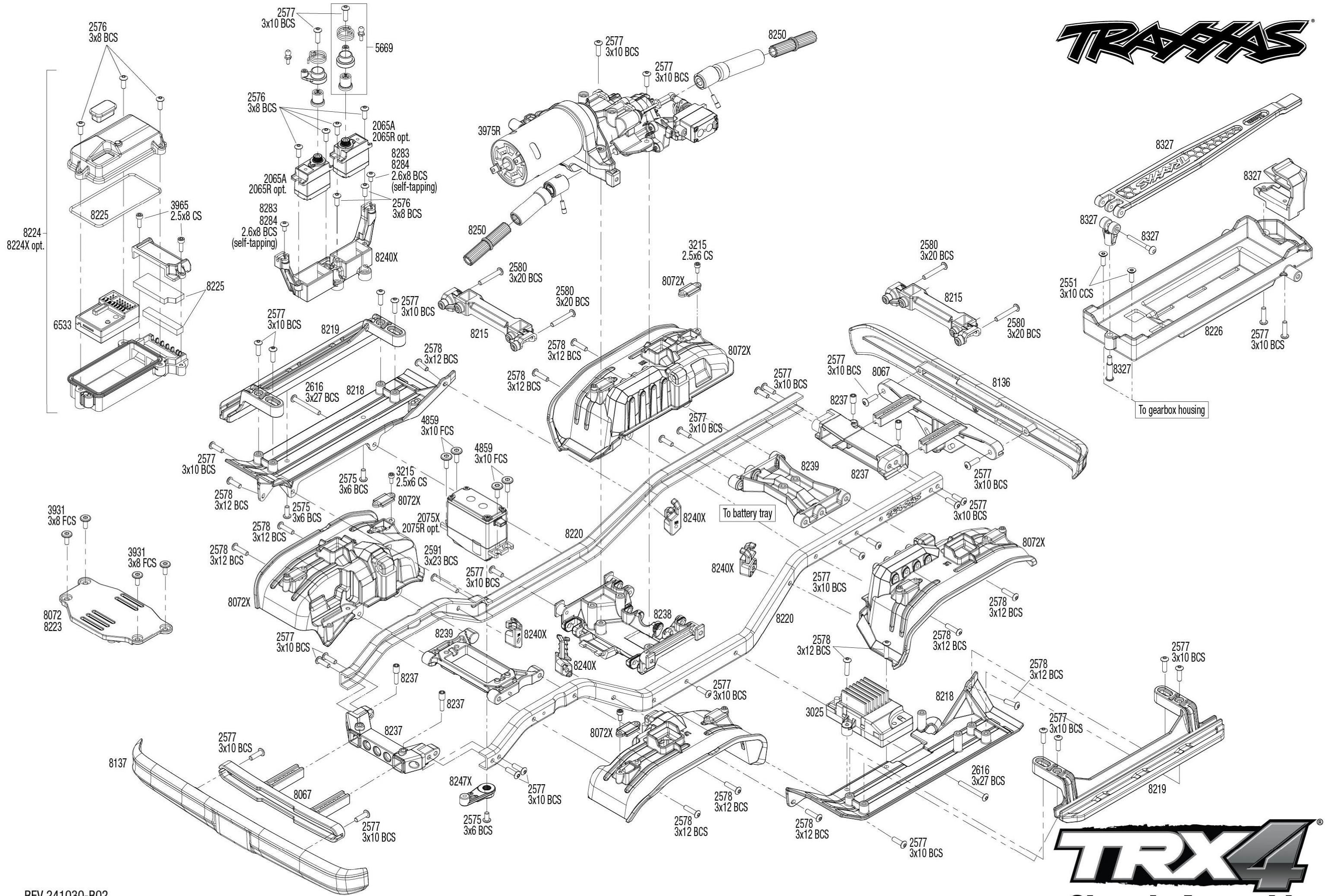
## Front Assembly



See Parts List for a complete listing of optional accessories.

Specifications on this page are subject to change without notice. Every attempt has been made to ensure the accuracy of this drawing; however, Traxxas cannot be held responsible for typographical or other errors.





REV 241030-R02  
See Parts List for a complete listing of optional accessories.

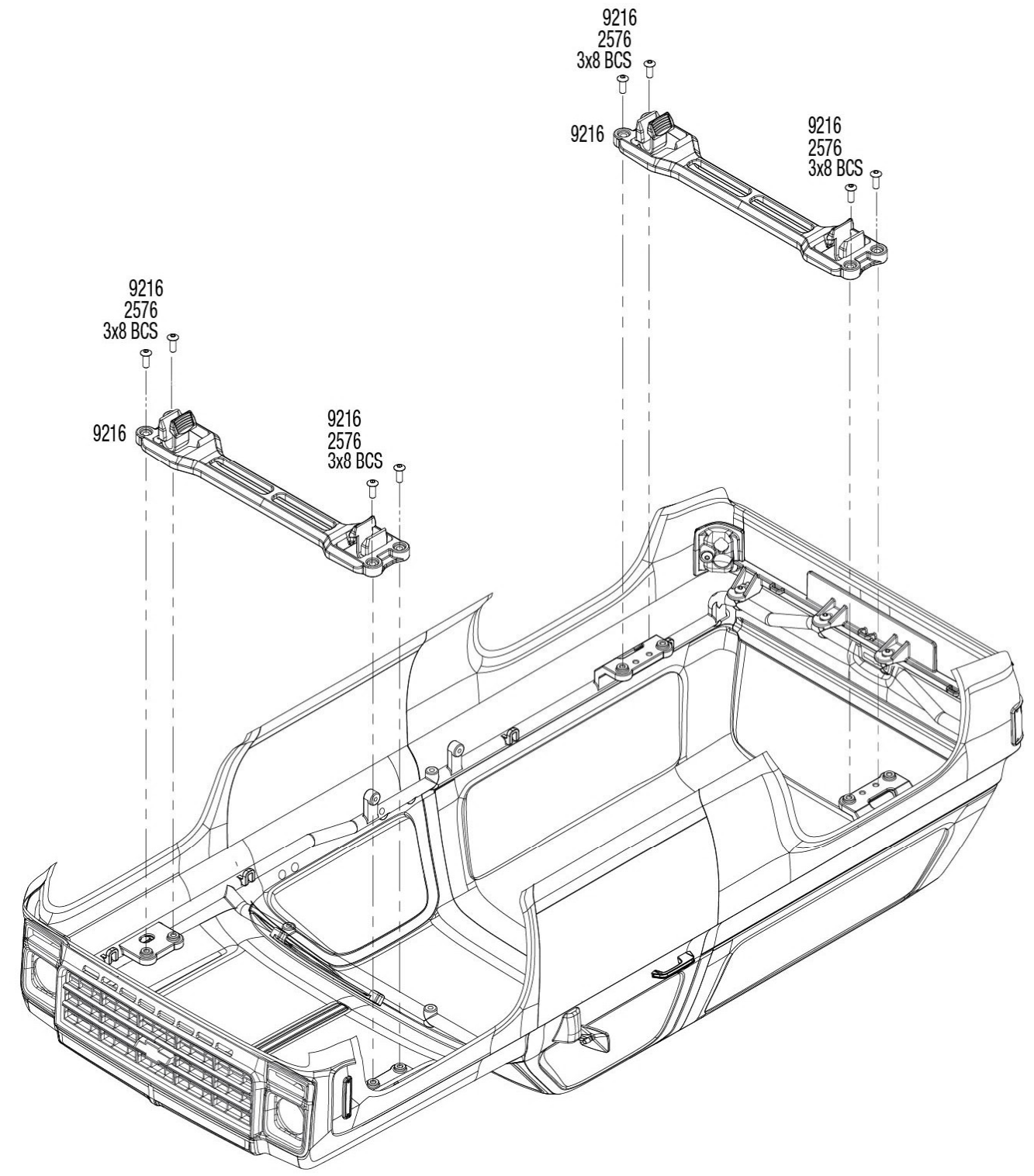
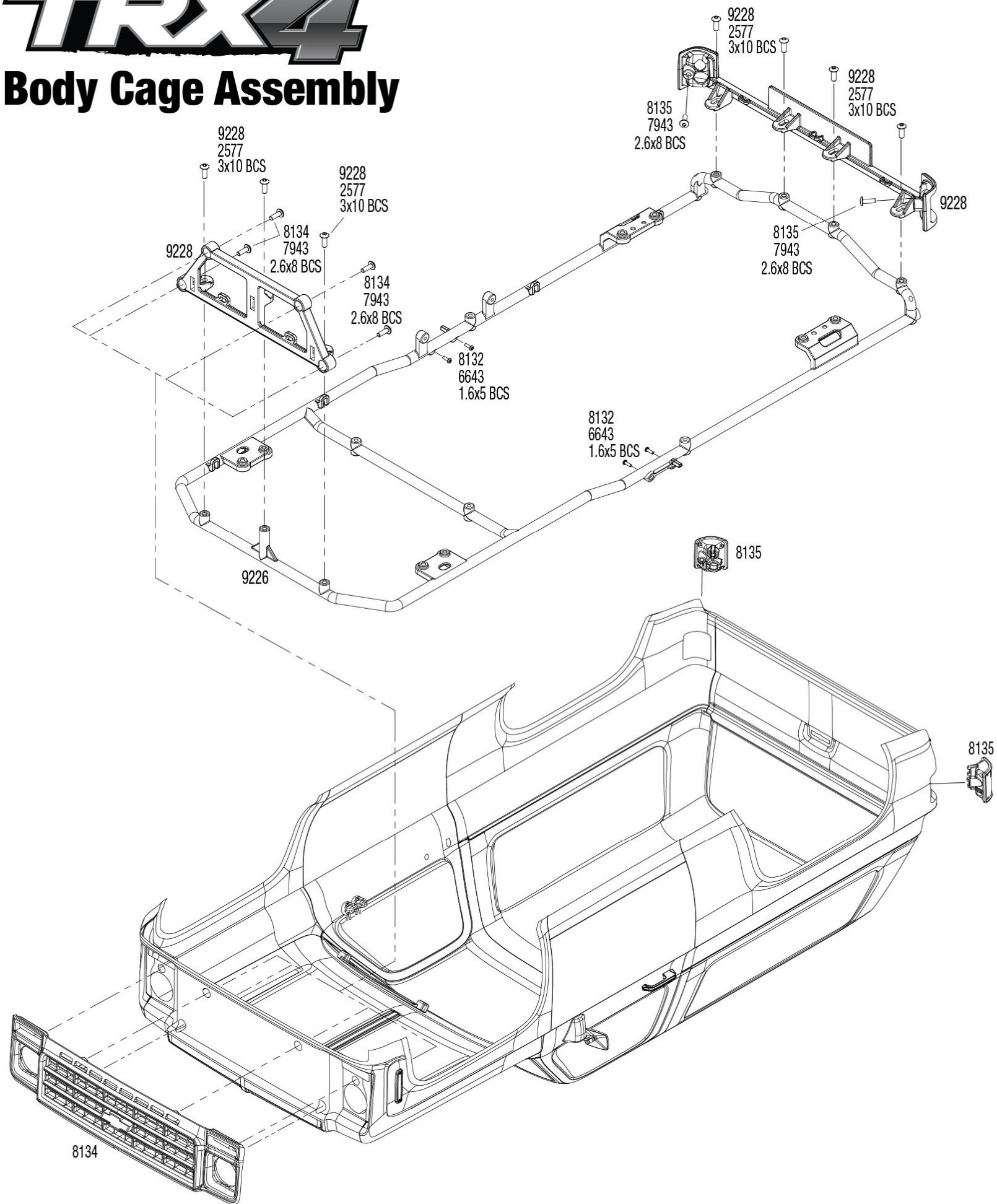
Specifications on this page are subject to change without notice. Every attempt has been made to ensure the accuracy of this drawing; however, Traxxas cannot be held responsible for typographical or other errors.



# TRX4<sup>®</sup>

## Body Cage Assembly

# TRAXXAS<sup>®</sup>



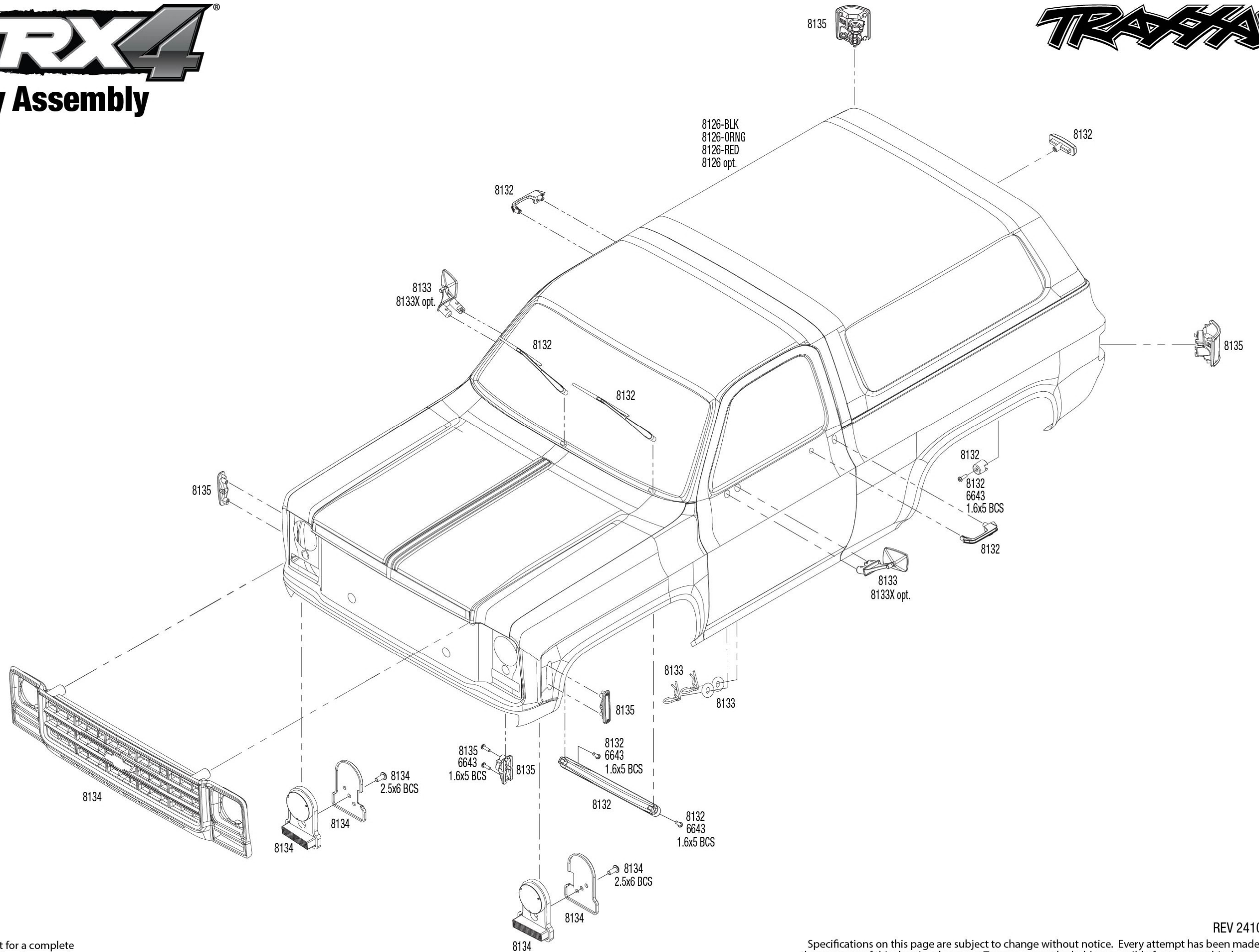
Specifications on this page are subject to change without notice. Every attempt has been made to ensure the accuracy of this drawing; however, Traxxas cannot be held responsible for typographical or other errors.

REV 241030-R02  
See Parts List for a complete listing of optional accessories.



# TRX4<sup>®</sup>

## Body Assembly



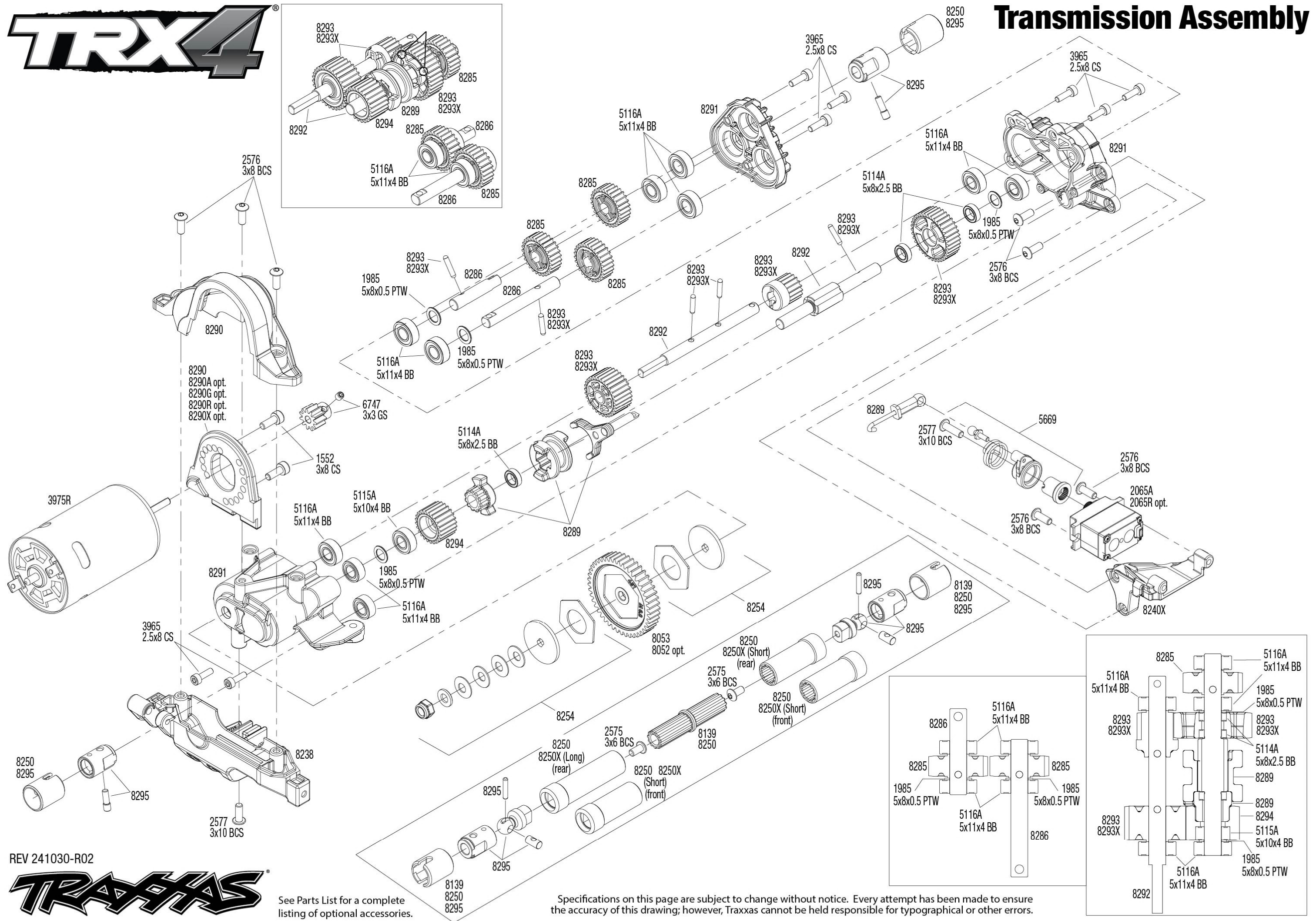
See Parts List for a complete listing of optional accessories.

REV 241030-R02  
Specifications on this page are subject to change without notice. Every attempt has been made to ensure the accuracy of this drawing; however, Traxxas cannot be held responsible for typographical or other errors.



# TRX4

# Transmission Assembly



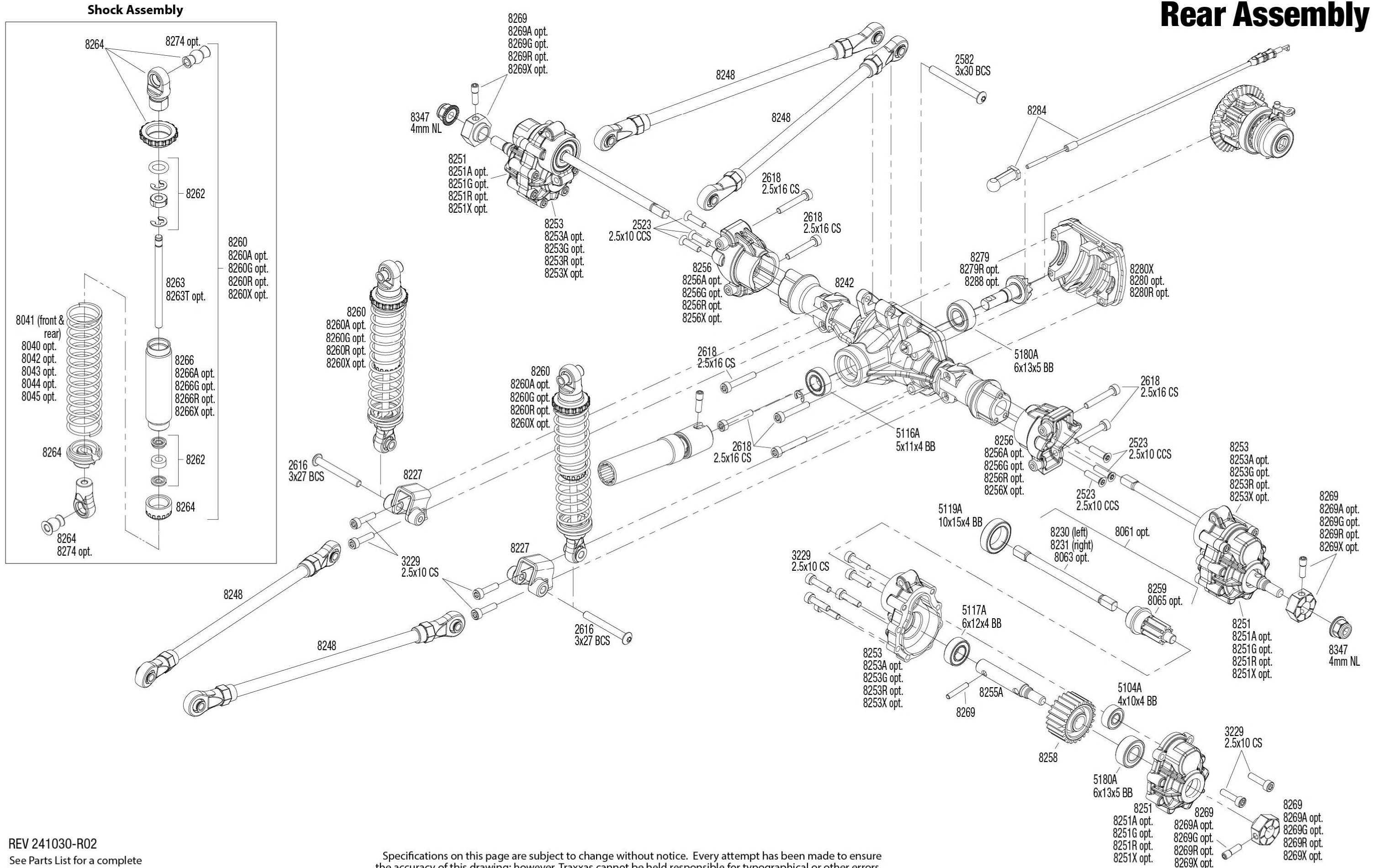
REV 241030-R02

# TRAXXAS

See Parts List for a complete listing of optional accessories.

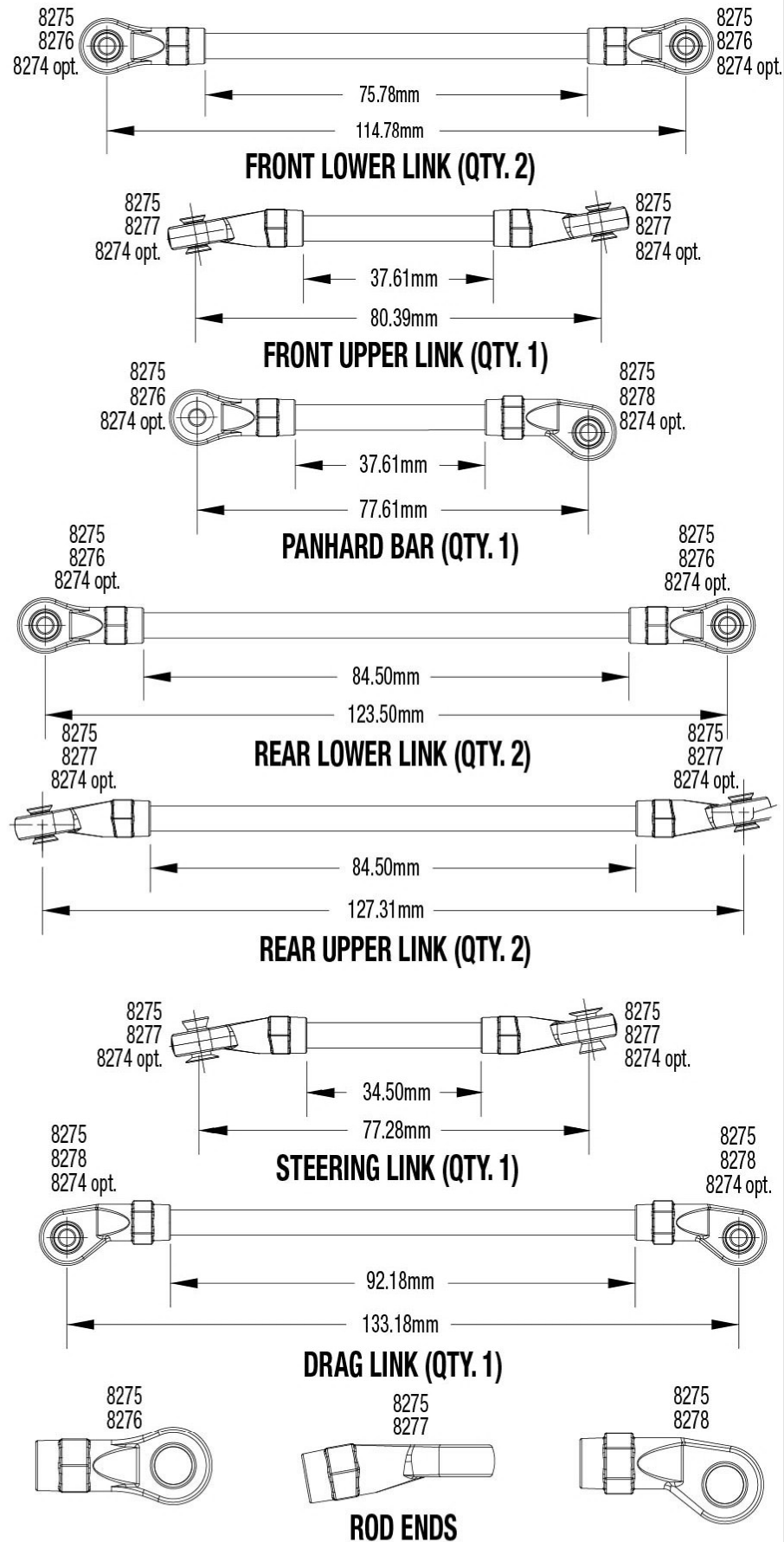
Specifications on this page are subject to change without notice. Every attempt has been made to ensure the accuracy of this drawing; however, Traxxas cannot be held responsible for typographical or other errors.





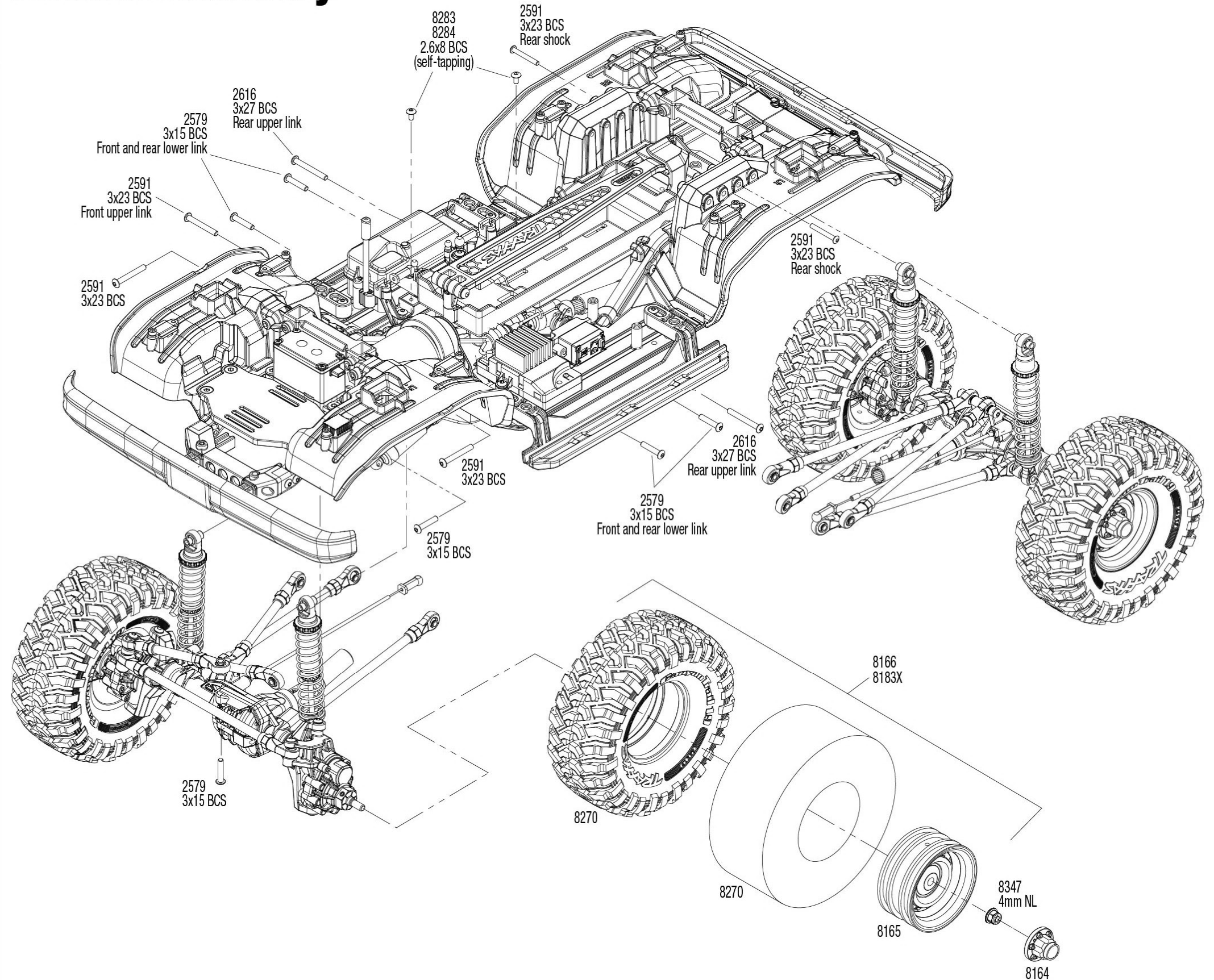


## Link Dimensions



For standard hollow ball replacement, use part #5349.

## Modular Assembly



See Parts List for a complete listing of optional accessories.

Specifications on this page are subject to change without notice. Every attempt has been made to ensure the accuracy of this drawing; however, Traxxas cannot be held responsible for typographical or other errors.