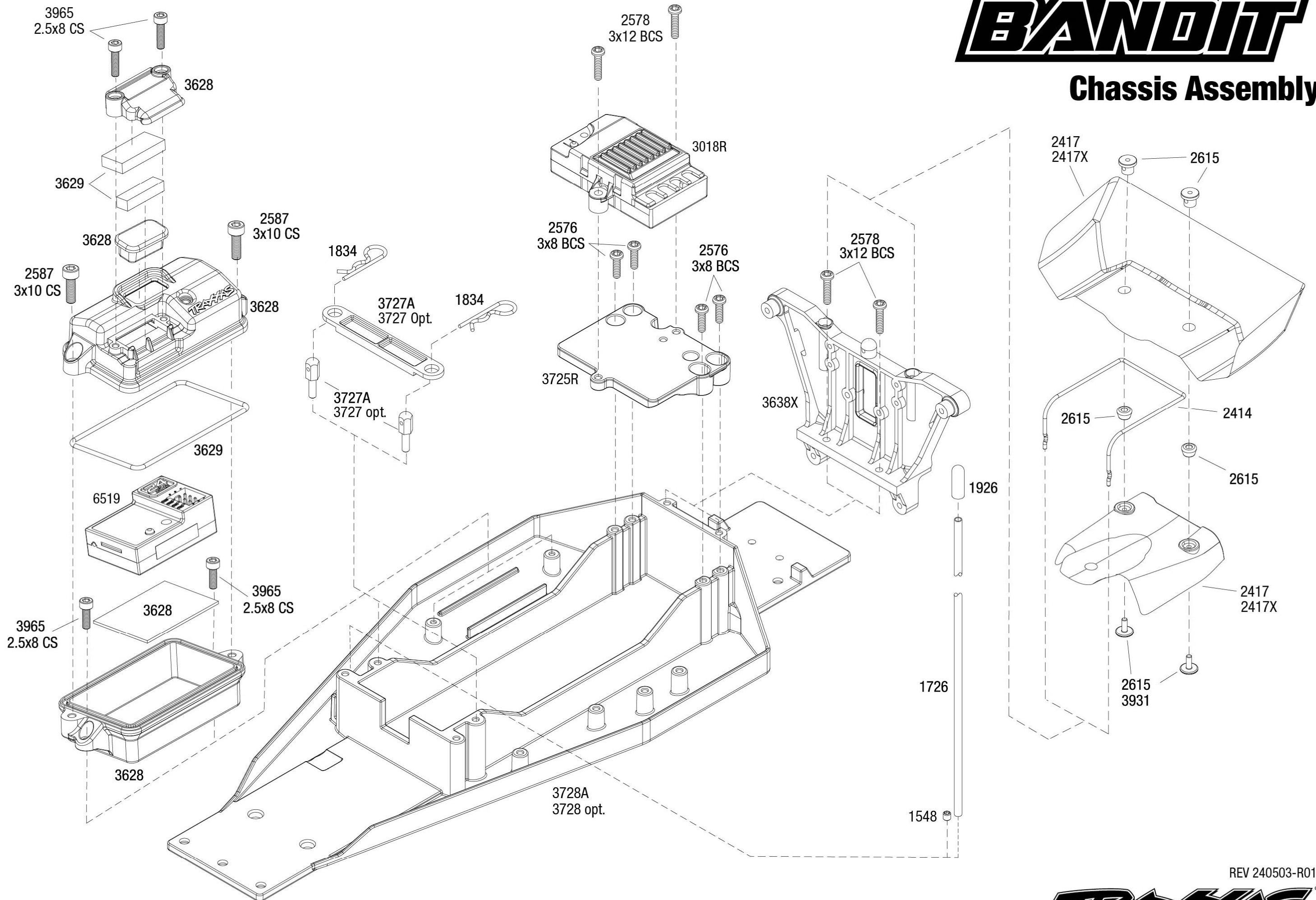


BANDIT®

Chassis Assembly

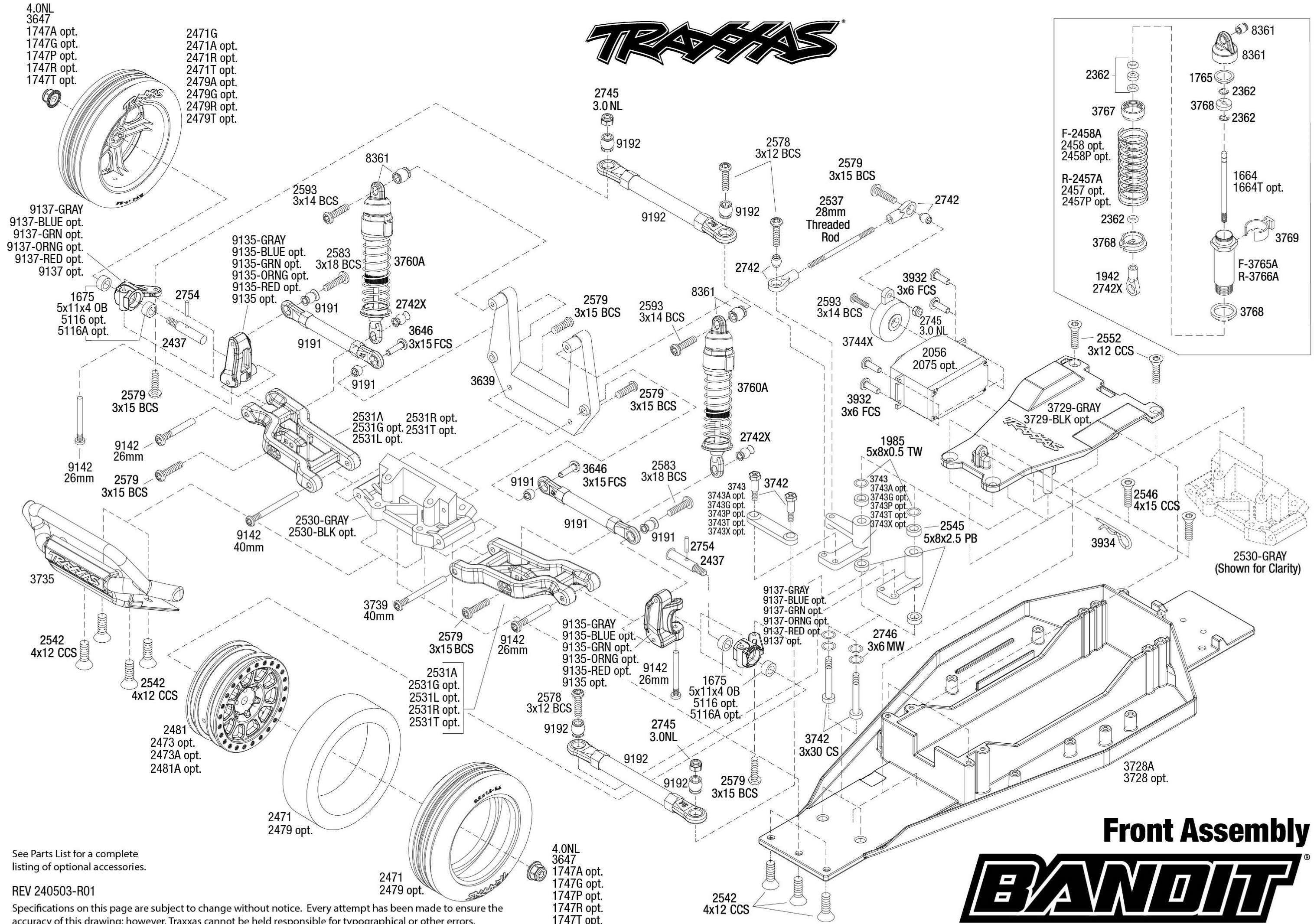


Specifications on this page are subject to change without notice. Every attempt has been made to ensure the accuracy of this drawing; however, Traxxas cannot be held responsible for typographical or other errors.

See Parts List for a complete listing of optional accessories.

REV 240503-R01

TRAXXAS



4.0NL
3647
1747A opt.
1747G opt.
1747P opt.
1747R opt.
1747T opt.

2471G
2471A opt.
2471R opt.
2471T opt.
2479A opt.
2479G opt.
2479R opt.
2479T opt.

9137-GRAY
9137-BLUE opt.
9137-GRN opt.
9137-ORNG opt.
9137-RED opt.
9137 opt.

9135-GRAY
9135-BLUE opt.
9135-GRN opt.
9135-ORNG opt.
9135-RED opt.
9135 opt.

4.0NL
3647
1747A opt.
1747G opt.
1747P opt.
1747R opt.
1747T opt.

See Parts List for a complete listing of optional accessories.

REV 240503-R01

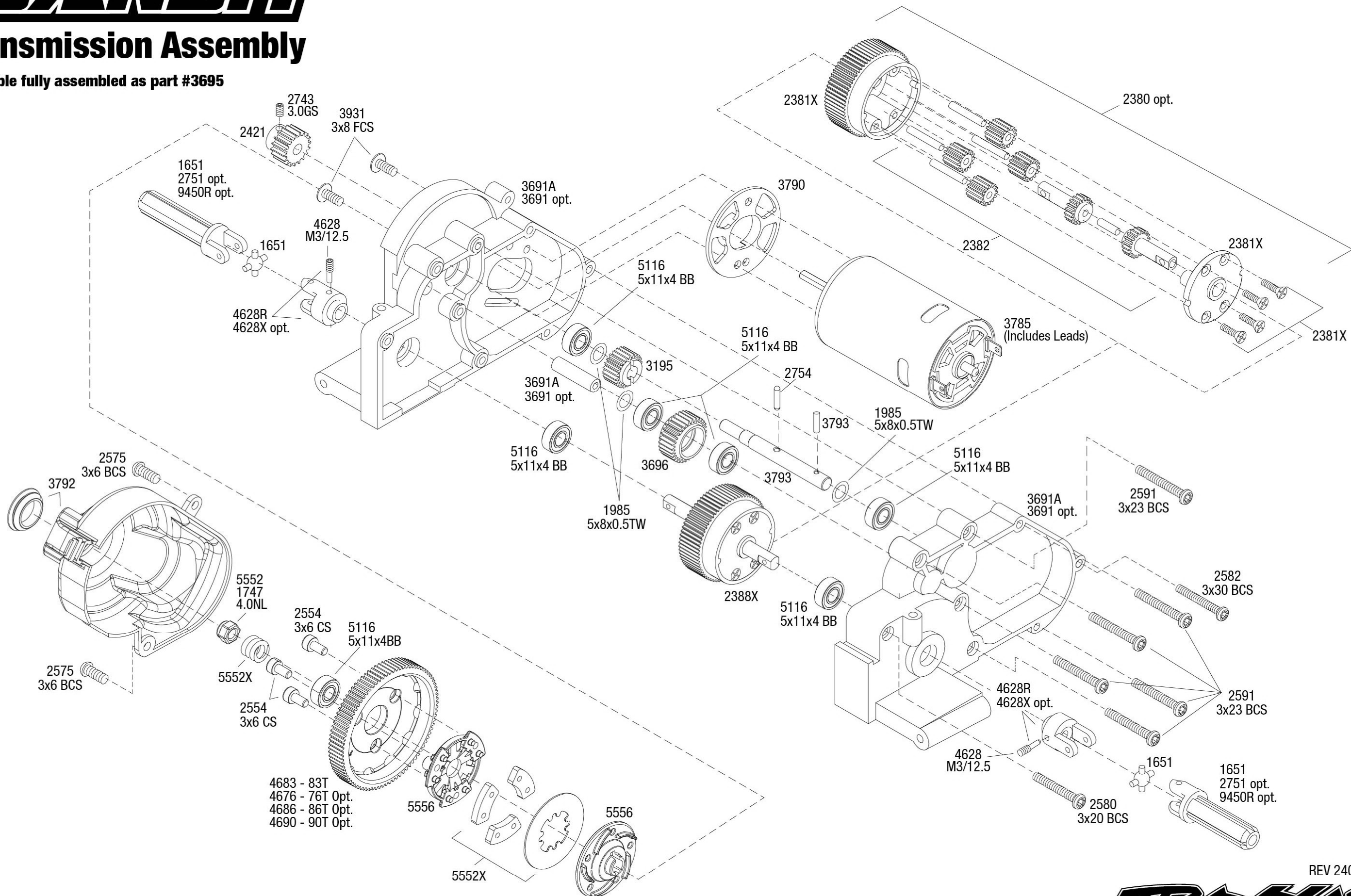
Specifications on this page are subject to change without notice. Every attempt has been made to ensure the accuracy of this drawing; however, Traxxas cannot be held responsible for typographical or other errors.

Front Assembly
BANDIT

BANDIT[®]

Transmission Assembly

Available fully assembled as part #3695



See Parts List for a complete listing of optional accessories.

Specifications on this page are subject to change without notice. Every attempt has been made to ensure the accuracy of this drawing; however, Traxxas cannot be held responsible for typographical or other errors.

REV 240503-R01

TRAXXAS[®]

BANDIT®

Rear Assembly



See Parts List for a complete listing of optional accessories.

Specifications on this page are subject to change without notice. Every attempt has been made to ensure the accuracy of this drawing; however, Traxxas cannot be held responsible for typographical or other errors.

REV 240503-R01

