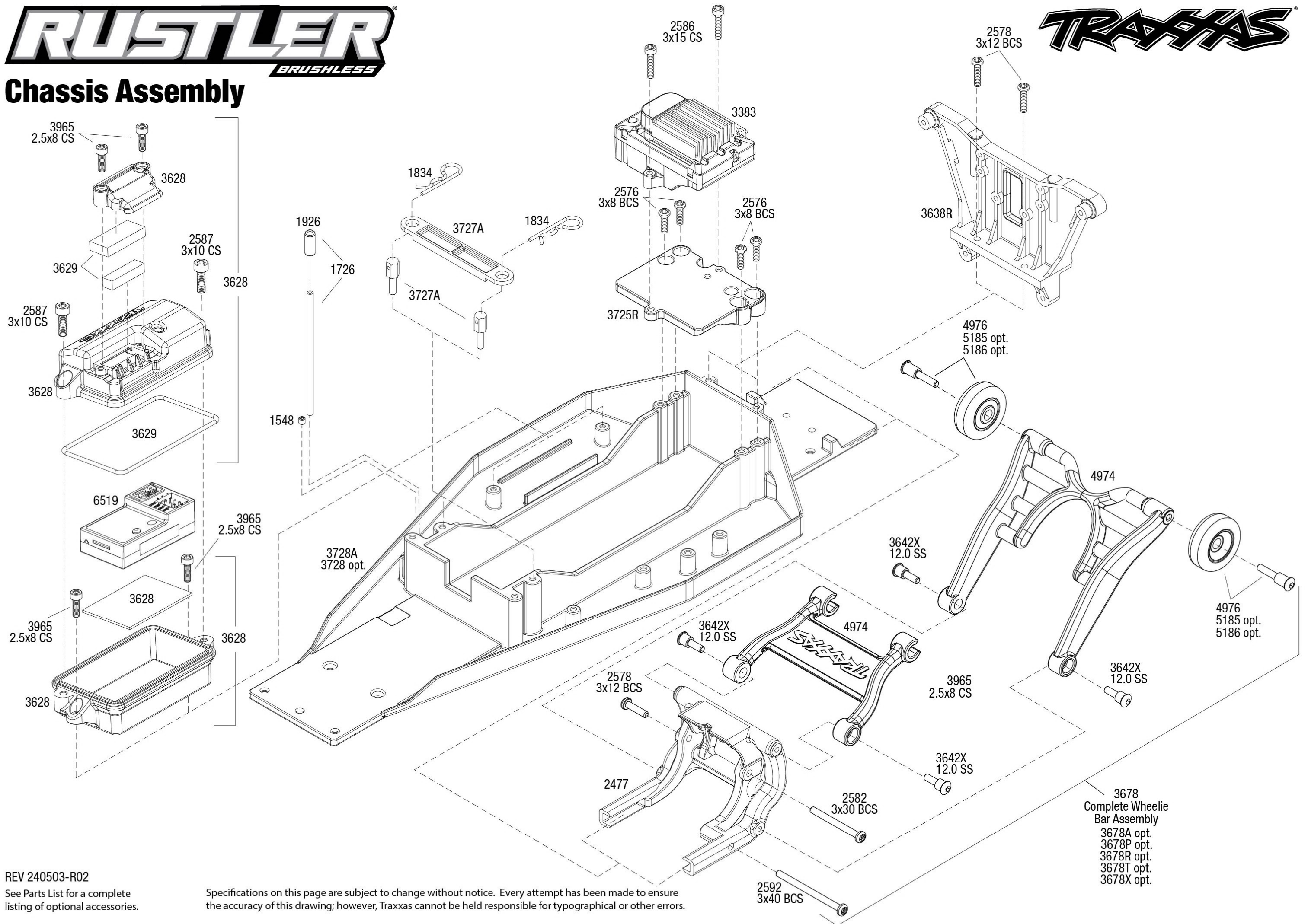


Chassis Assembly



REV 240503-R02

See Parts List for a complete listing of optional accessories.

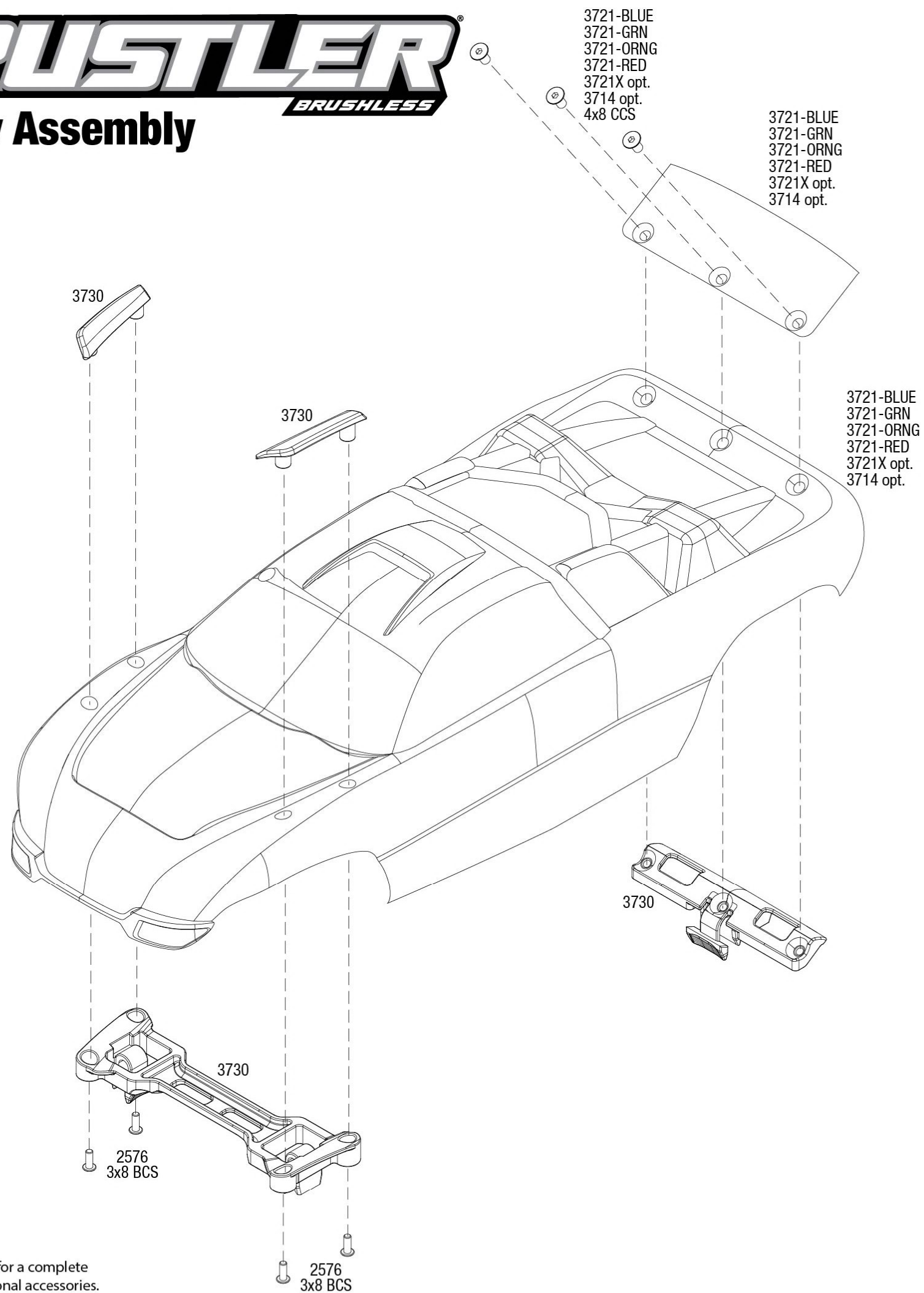
Specifications on this page are subject to change without notice. Every attempt has been made to ensure the accuracy of this drawing; however, Traxxas cannot be held responsible for typographical or other errors.

3678
Complete Wheelie Bar Assembly
3678A opt.
3678P opt.
3678R opt.
3678T opt.
3678X opt.

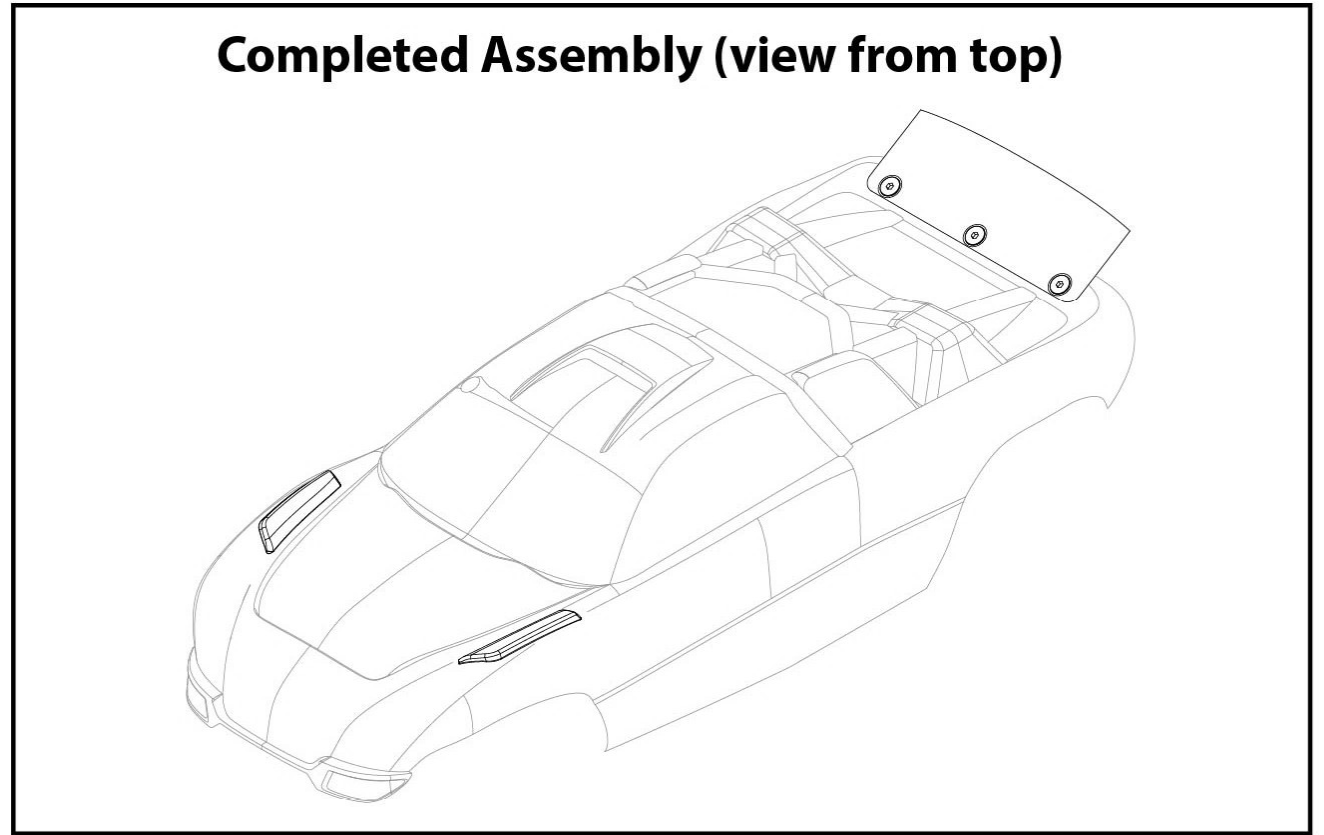
RUSTLER[®]

BRUSHLESS

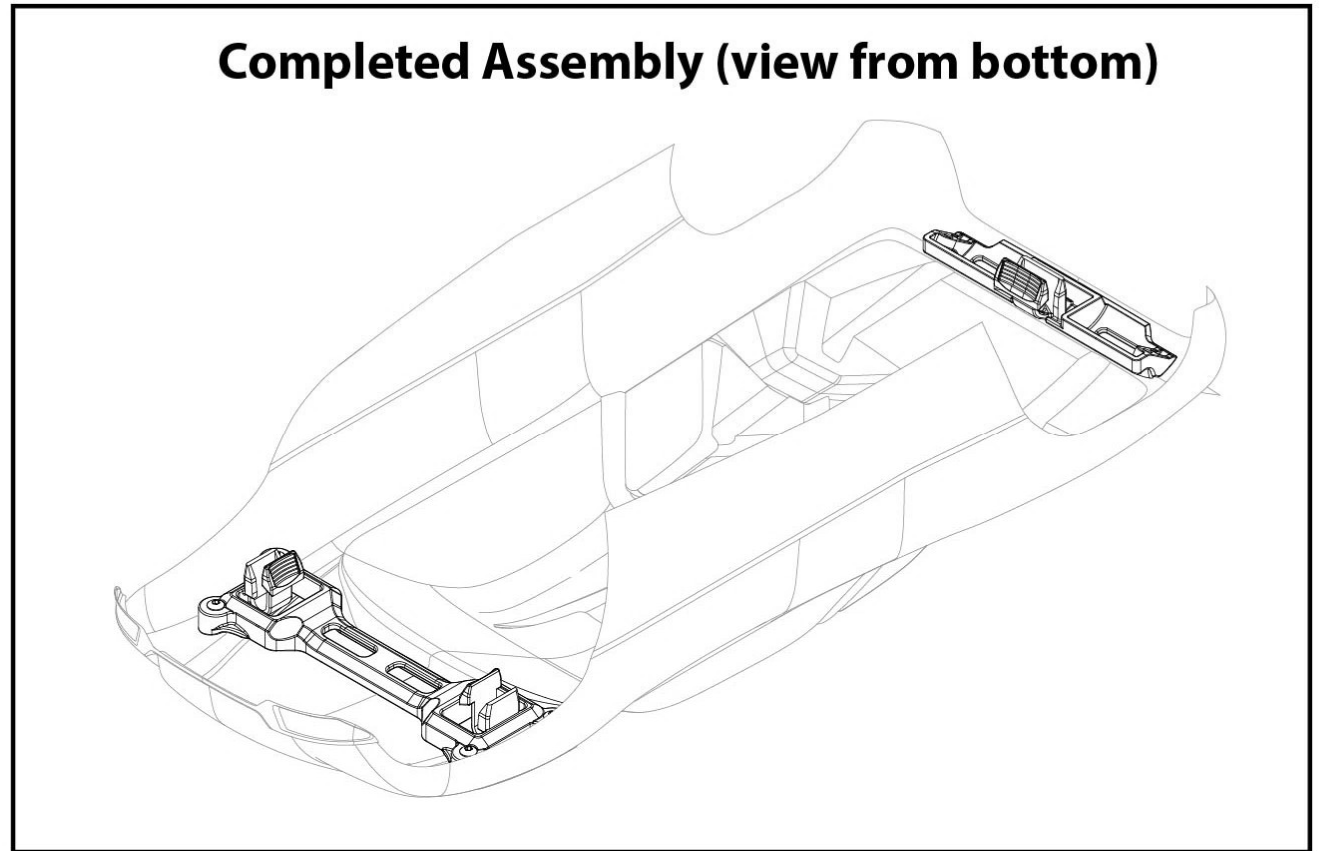
Body Assembly



Completed Assembly (view from top)



Completed Assembly (view from bottom)



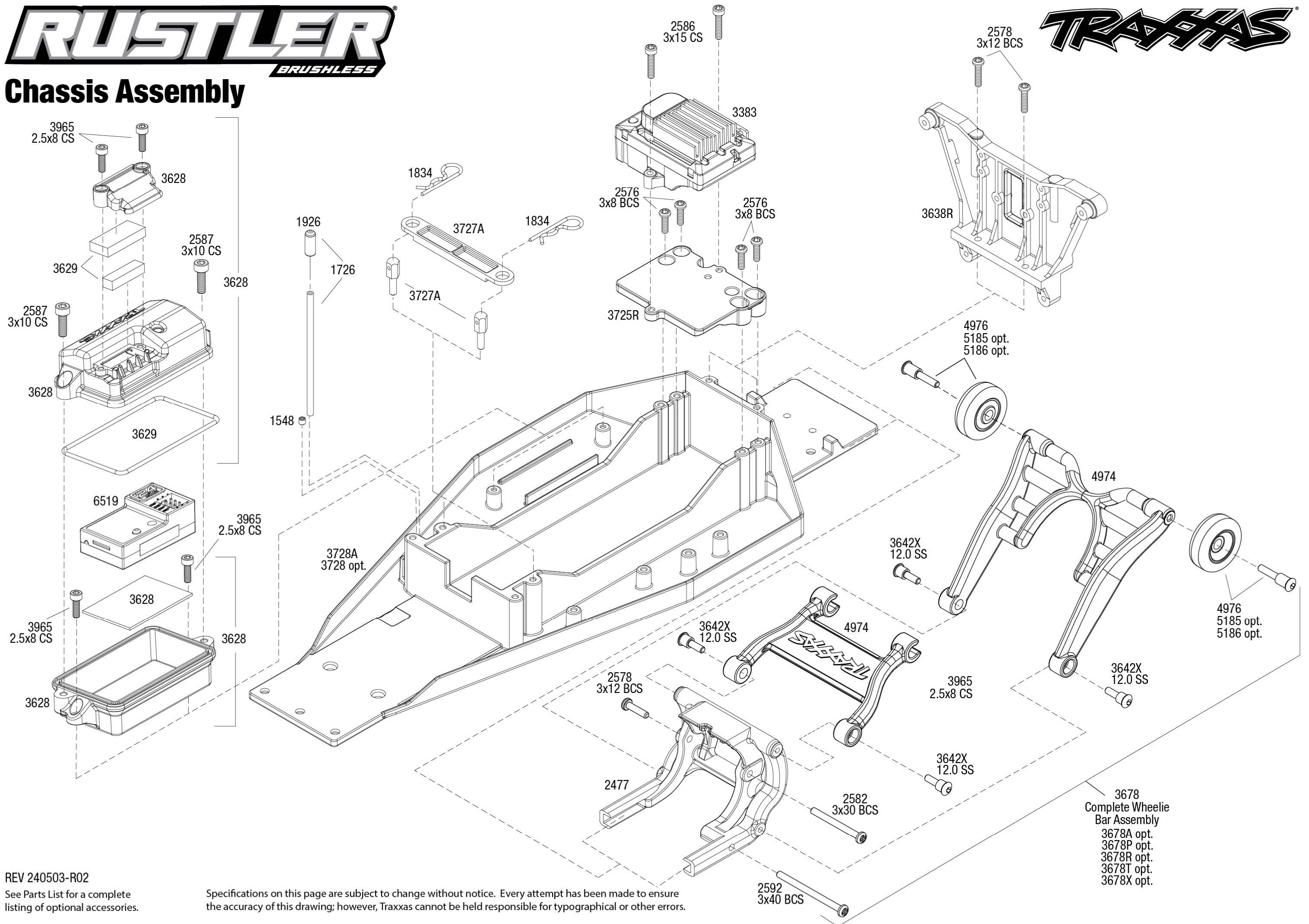
See Parts List for a complete listing of optional accessories.

REV 240503-R02



Specifications on this page are subject to change without notice. Every attempt has been made to ensure the accuracy of this drawing; however, Traxxas cannot be held responsible for typographical or other errors.

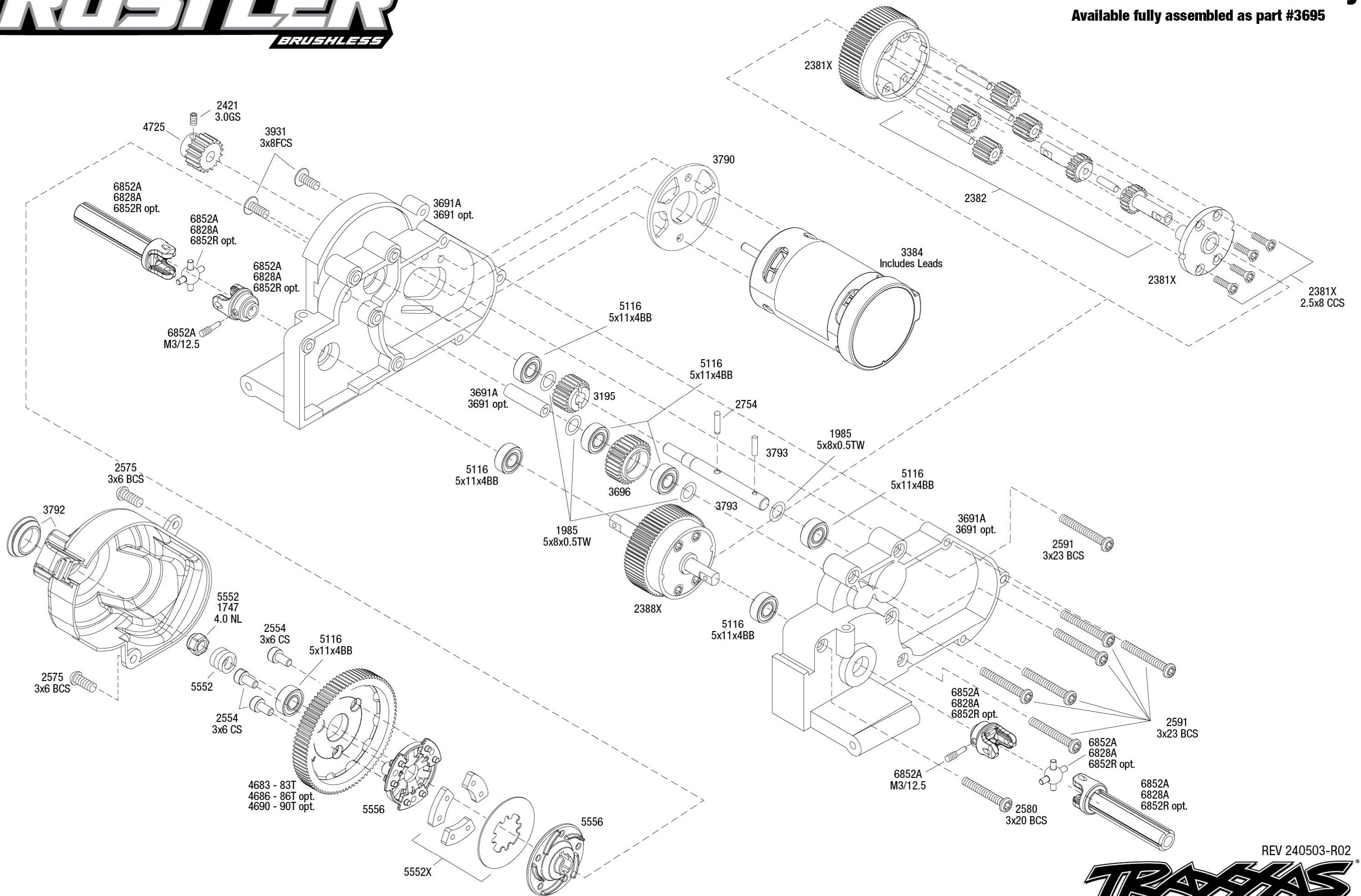
Chassis Assembly

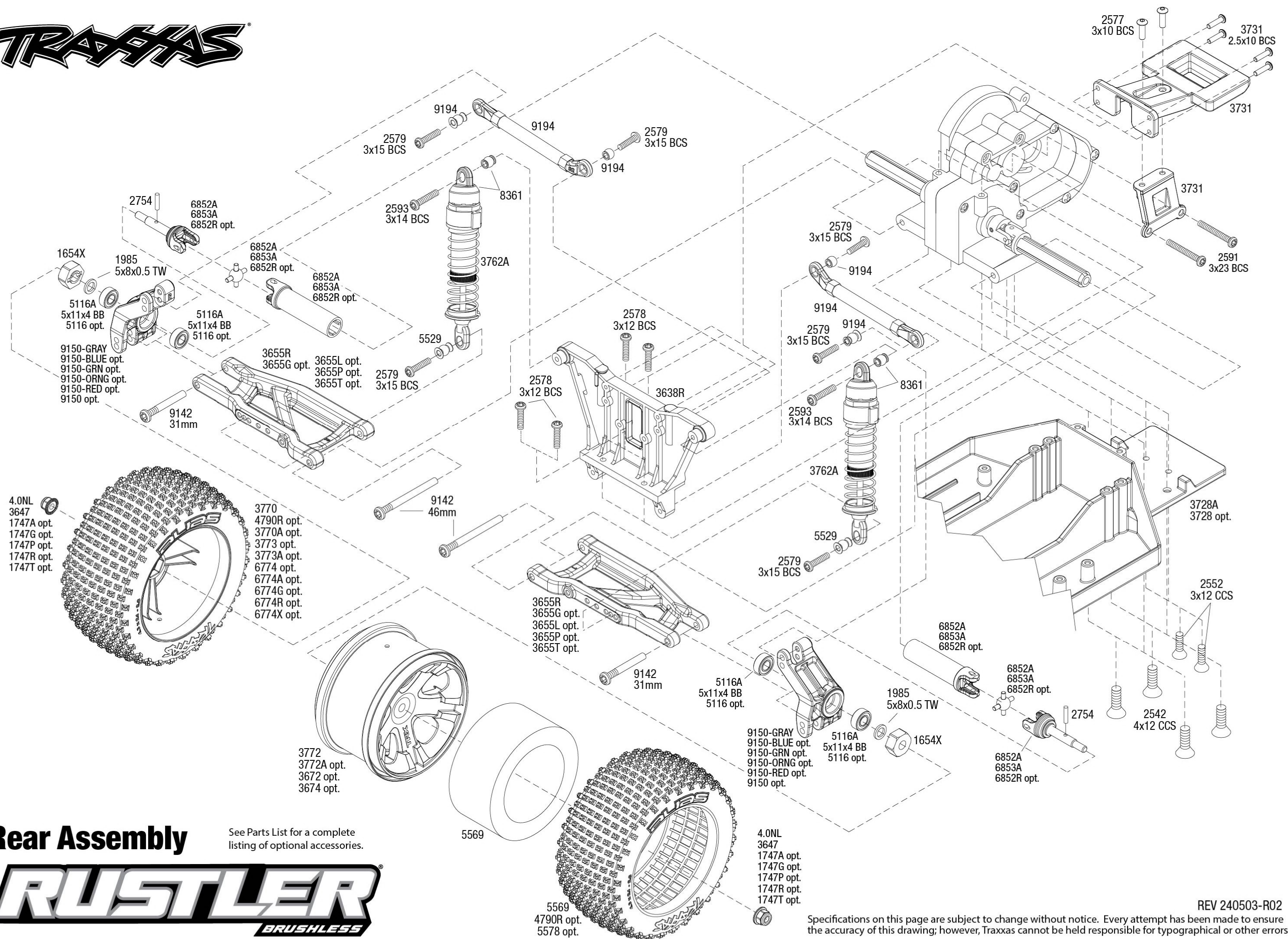


REV 240503-R02

See Parts List for a complete listing of optional accessories.

Specifications on this page are subject to change without notice. Every attempt has been made to ensure the accuracy of this drawing; however, Traxxas cannot be held responsible for typographical or other errors.





Rear Assembly

See Parts List for a complete listing of optional accessories.



Specifications on this page are subject to change without notice. Every attempt has been made to ensure the accuracy of this drawing; however, Traxxas cannot be held responsible for typographical or other errors.

4.0NL
3647
1747A opt.
1747G opt.
1747P opt.
1747R opt.
1747T opt.

3771R
3771 opt.
3771A opt.
3771X opt.
3776A opt.
5576R opt.

9137-GRAY
9137-BLUE opt.
9137-GRN opt.
9137-ORNG opt.
9137-RED opt.
9137 opt.

1985
5x8x0.5PTW

9136-GRAY
9136-BLUE opt.
9136-GRN opt.
9136-ORNG opt.
9136-RED opt.
9136 opt.

2583
3x18 BCS

9195

1985
5x8x0.5PTW

3637

9142
26mm

9142
26mm

3631X
3631A opt.
3631G opt.
3631R opt.
3631T opt.

2579
3x15 BCS

1633
E-clip

2640

2530-GRAY
2530-BLK opt.

1633
E-clip

3735

2532

1633
E-clip

3631X
3631A opt.
3631G opt.
3631R opt.
3631T opt.

2640

2579
3x15 BCS

9136-GRAY
9136-BLUE opt.
9136-GRN opt.
9136-ORNG opt.
9136-RED opt.
9136 opt.

2745
3.0 NL

9196

5116A
5x11x4 BB
5116 opt.

1985
5x8x0.5 PTW

3742
3x30 CS

2578
3x12 BCS

9196

2578
3x12 BCS

9196

2745
3.0 NL

9196

8361

2593
3x14 BCS

3760A

9195

2742X

2593
3x14 BCS

9195

1633
E-clip

3639

2593
3x14 BCS

9195

1633
E-clip

2593
3x14 BCS

9195

1633
E-clip

9195

2579
3x15 BCS

2745
3.0 NL

9196

4.0NL
3647
1747A opt.
1747G opt.
1747P opt.
1747R opt.
1747T opt.

5563
4780 opt.
4780R opt.
5578 opt.

4.0NL
3647
1747A opt.
1747G opt.
1747P opt.
1747R opt.
1747T opt.

2542
4x12 CCS

3731

2576
3x8 BCS

2576
3x8 BCS

2576
3x8 BCS

2576
3x8 BCS

2576
3x8 BCS

3731

2578
3x12 BCS

2742

2578
3x12 BCS

2742

2537 28mm
Threaded rod

2577
3x10 BCS

2745
3.0NL

3932
3x6 FCS

3744X

2056
2075 opt.

3932
3x6 FCS

1985
5x8x0.5 PTW

2545
5x8x2.5 PB

3743
3x15 BCS

2746
3x6 MW

2579
3x15 BCS

3743
3x15 BCS

2746
3x6 MW

2579
3x15 BCS

3742
3x30 CS

2542
4x12 CCS

3728A
3728 opt.

Shock Assembly

2362

3767

F-2458A
2458P opt.

R-3757X
3757R opt.

3757A opt.

3757T opt.

3757P opt.

2362

3768

1942
2742X

2552
3x12 CCS

2546
4x15 CCS

2530-GRAY
(Shown for Clarity)

3768

3769

F-3765A
R-3766A

3768

1765

2362

2362

2362

2362

2362

2362

2362

2362

2362

8361

8361

1765

2362

2362

2362

2362

2362

2362

2362

2362

2362

2362

2362

2362

2362

2362

2362

2362

2362

2362

2362

2362

2362

2362

2362

2362

2362

3768

3768

3768

3768

3768

3768

3768

3768

3768

3768

3768

3768

3768

3768

3768

3768

3768

3768

3768

3768

3768

3768

3768

3768

3768

3768

3768

3768

3768

3768

3768

3768

3768

3768

3768

3768

3768

3768

3768

3768

3768

3768

3768

3768

3768

3768

3768

3768

3768

3768

3768

3768

3768

3768

3768

REV 240503-R02



Specifications on this page are subject to change without notice. Every attempt has been made to ensure the accuracy of this drawing; however, Traxxas cannot be held responsible for typographical or other errors.

See Parts List for a complete listing of optional accessories.

Front Assembly

