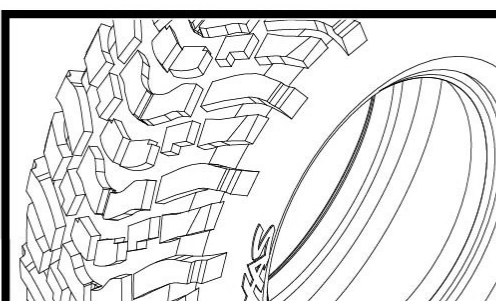


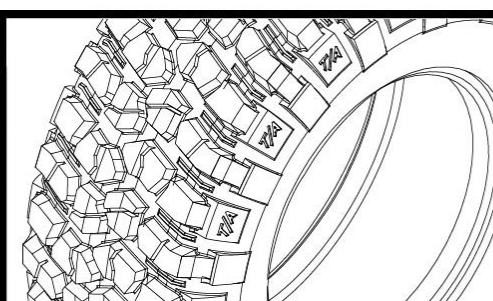
Specifications on this page are subject to change without notice. Every attempt has been made to ensure the accuracy of this drawing; however, Traxxas cannot be held responsible for typographical or other errors.

RAPTOR

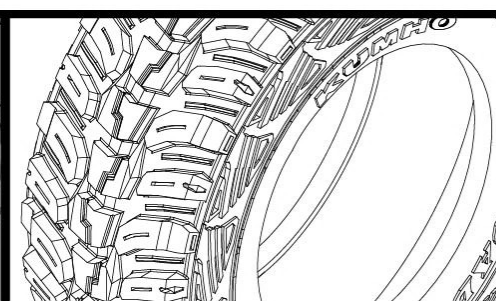
Wheel and Tire Chart



**Traxxas SCT Tires
with Foam Inserts**



**BFGoodrich® Mud Terrain™ T/A®
Tires with Foam Inserts**



**Kumho Road Venture MT tires
with Foam Inserts**

5871

*S1 Ultra-Soft
Racing Compound*
5871R

6871

*S1 Ultra-Soft
Racing Compound*
6871R

6870

*S1 Ultra-Soft
Racing Compound*
6870R

Wheels*

Assembled Wheels and Tires

Assembled Wheels and Tires

Assembled Wheels and Tires

Satin Beadlock/ Satin Wheel - Slash Rear or Slash 4X4 Front/Rear

5872

5873†

-

5880X

-

Satin Beadlock/ Satin Wheel - Slash Front

5874

5875

-

5881X

-

Red Beadlock/ Satin Wheel - Slash Rear or Slash 4X4 Front/Rear

-

5873A

5873R

-

-

-

Red Beadlock/ Satin Wheel - Slash Front

5874A

-

-

-

-

Black Beadlock/ Satin Wheel - Slash Rear or Slash 4X4 Front/Rear

5872X

5873X

-

5878

5880

-

Black Beadlock/ Satin Wheel - Slash Front

5874X

5875X

-

5881

-

Red Beadlock/ Chrome Wheel - Slash Rear or Slash 4X4 Front/Rear

5868

5887†

5887R

5867

-

-

Red Beadlock/ Chrome Wheel - Slash Front

-

5888

-

5869

-

-

Blue Beadlock/ Chrome Wheel - Slash Rear or Slash 4X4 Front/Rear

5868A

-

-

5867A

-

-

Blue Beadlock/ Chrome Wheel - Slash Front

5870A

-

-

5869A

-

-

Green Beadlock/ Chrome Wheel - Slash Front

5866

-

-

5865

-

-

Green Beadlock/ Chrome Wheel - Slash Rear or Slash 4X4 Front/Rear

6875

-

-

6876

-

-

Orange Beadlock/ Black Wheel - Slash Front

5870X

5864

-

-

-

Orange Beadlock/ Black Wheel - Slash Rear or Slash 4X4 Front/Rear

5868X

5863†

5863R†

-

-

-

Black Beadlock/ Satin Wheel - Slash Rear or Slash 4X4 Front/Rear

6872

6892†

6892R

6873†

6873X

6874

6874R

Black Beadlock/ Satin Wheel - Slash Front

5876

-

-

5877

5882

5882R

Black Chrome Beadlock/ Black Wheel - Slash Rear or Slash 4X4 Front/Rear

-

-

-

6873T†

-

-

Red Beadlock/ Chrome Wheel - Slash Rear or Slash 4X4 Front/Rear

6872A

6891†

6891R†

6873A

6873R

-

-

Red Beadlock/ Chrome Wheel - Slash Front

-

-

-

5877A

5877R

-

-

Green Beadlock/ Chrome Wheel - Slash Rear or Slash 4X4 Front/Rear Front

6872X

-

-

-

-

Satin Beadlock/ Black Wheel - Slash Front

5886

5890

-

5885

-

-

Satin Beadlock/ Black Wheel - Slash Rear or Slash 4X4 Front/Rear

5884

5889†

5889R

5883

-

-

Blue Beadlock/ Black Wheel - Slash Front

5886A

-

-

5885A

-

-

Blue Beadlock/ Black Wheel - Slash Rear or Slash 4X4 Front/Rear

5884A

-

-

5883A

-

-

Gray Beadlock/ Gray Wheel - Slash Rear or Slash 4X4 Front/Rear

-

6964†

-

-

-

Orange Beadlock/ Orange Wheel - Slash Rear or Slash 4X4 Front/Rear

-

5892†

-

-

-

Green Beadlock/ Green Wheel - Slash Rear or Slash 4X4 Front/Rear

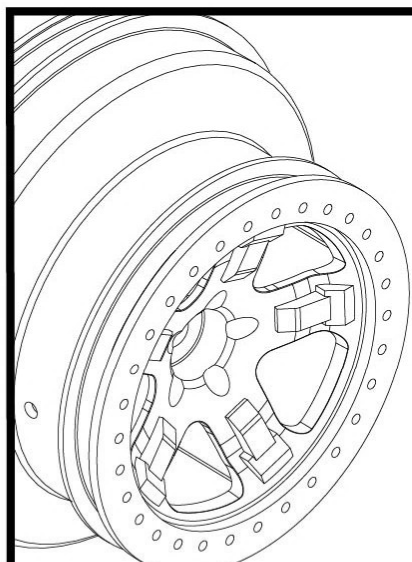
-

5892G†

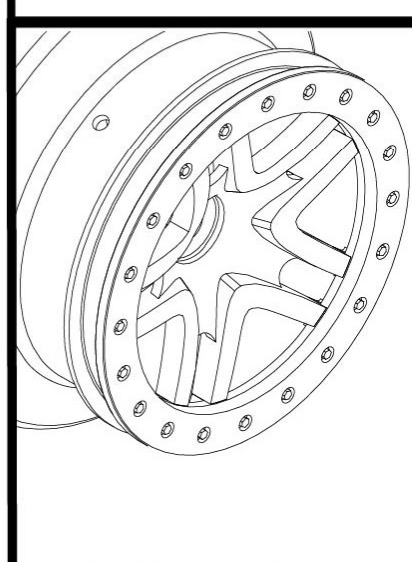
-

-

-



Traxxas SCT Wheels



Split Spoke Wheels

Specifications on this page are subject to change without notice. Every attempt has been made to ensure the accuracy of this drawing; however, Traxxas cannot be held responsible for typographical or other errors. See Parts List for a complete listing of optional accessories.

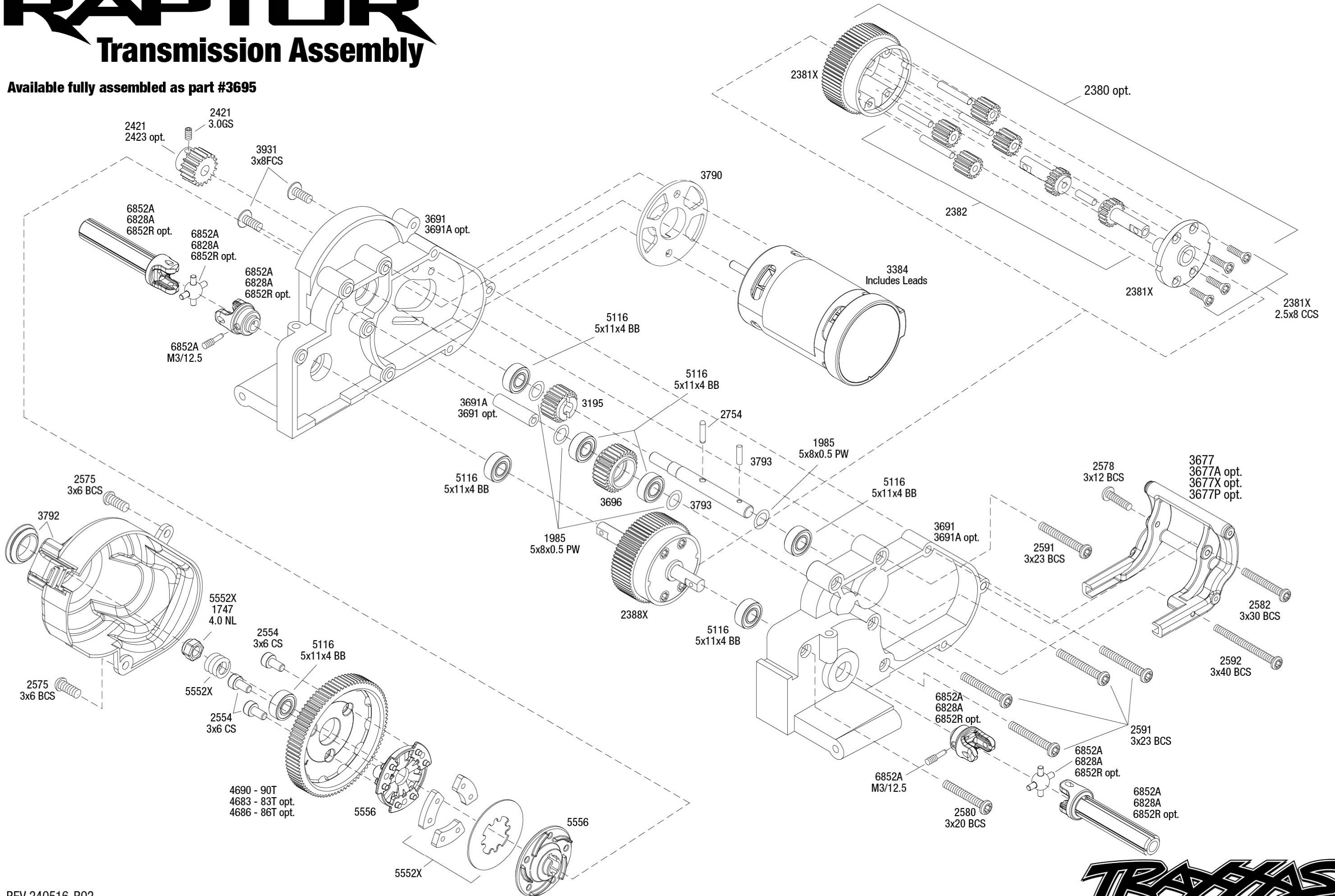
BFGoodrich and all associated names are trademarks used with permission.
Distributed under license by Traxxas LP. Copyright © 2024 MNA, Inc. All rights reserved.

* Wheels and/or tires sold in pairs
†TSM rated
REV 240516-R02

RAPTOR

Transmission Assembly

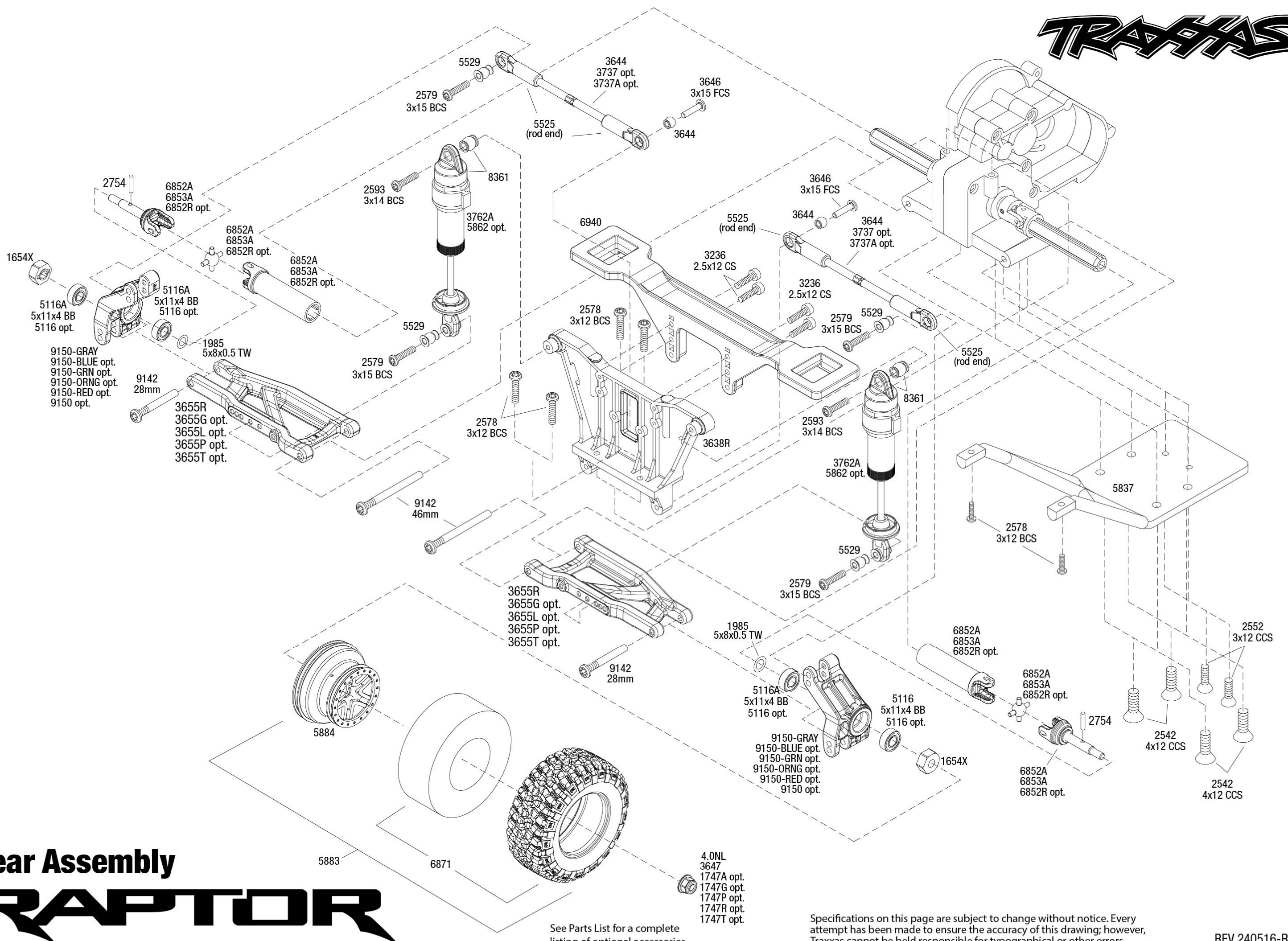
Available fully assembled as part #3695



REV 240516-R02
See Parts List for a complete listing of optional accessories.



Specifications on this page are subject to change without notice. Every attempt has been made to ensure the accuracy of this drawing; however, Traxxas cannot be held responsible for typographical or other errors.



Rear Assembly

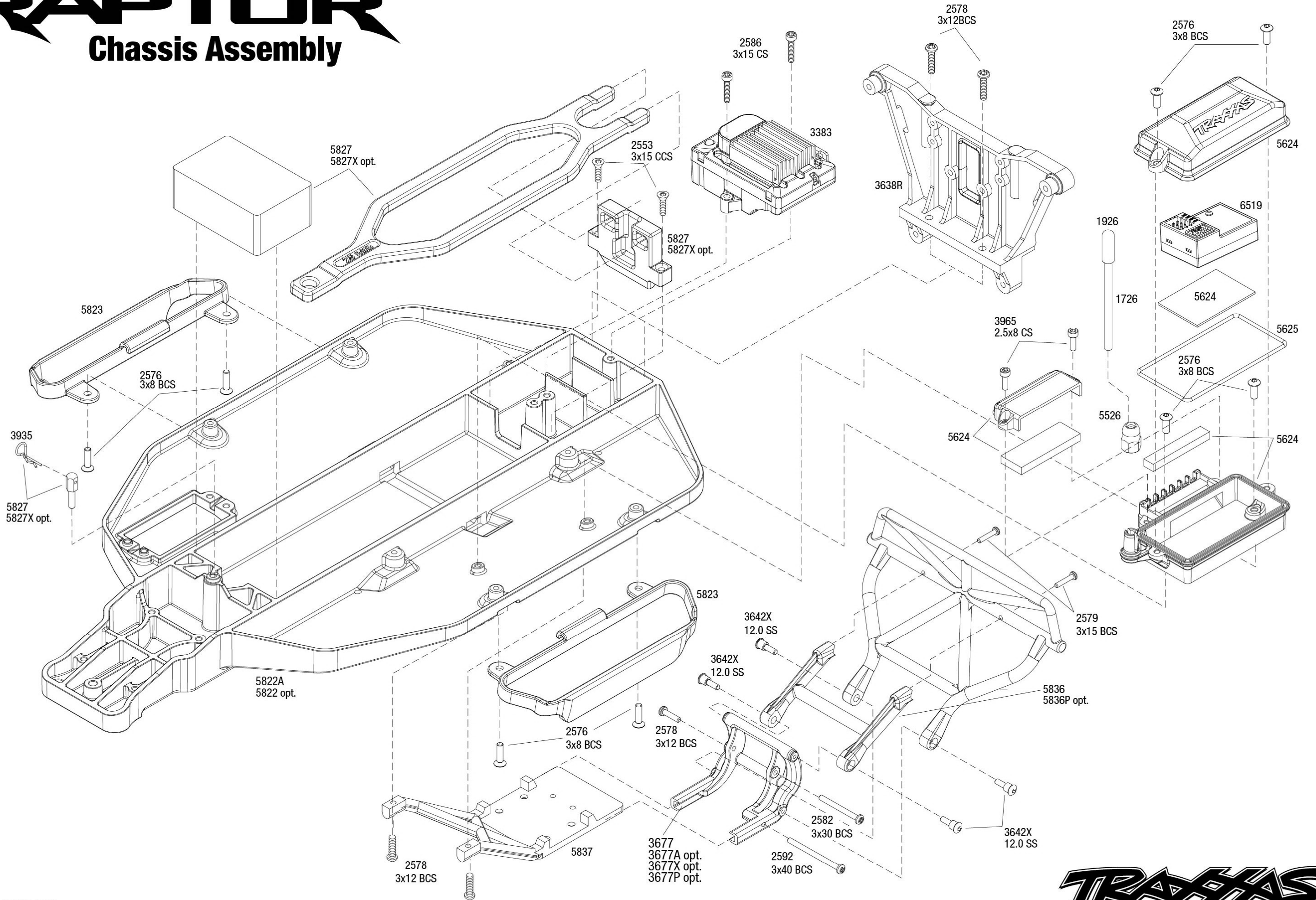
RAPTOR

See Parts List for a complete listing of optional accessories.

Specifications on this page are subject to change without notice. Every attempt has been made to ensure the accuracy of this drawing; however, Traxxas cannot be held responsible for typographical or other errors.

RAPTOR

Chassis Assembly



REV 240516-R02

See Parts List for a complete listing of optional accessories.



Specifications on this page are subject to change without notice. Every attempt has been made to ensure the accuracy of this drawing; however, Traxxas cannot be held responsible for typographical or other errors.