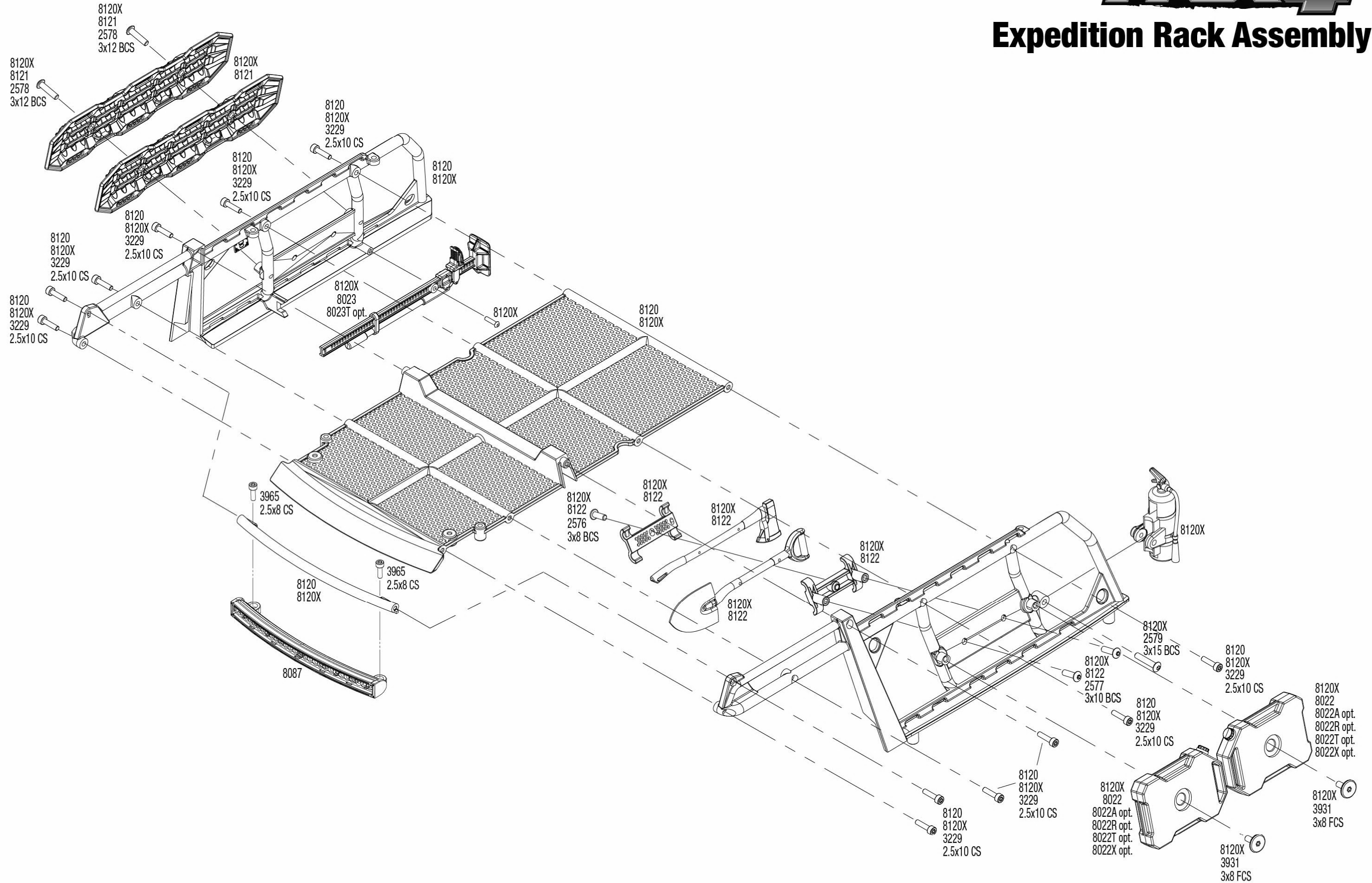


See Parts List for a complete listing of optional accessories.

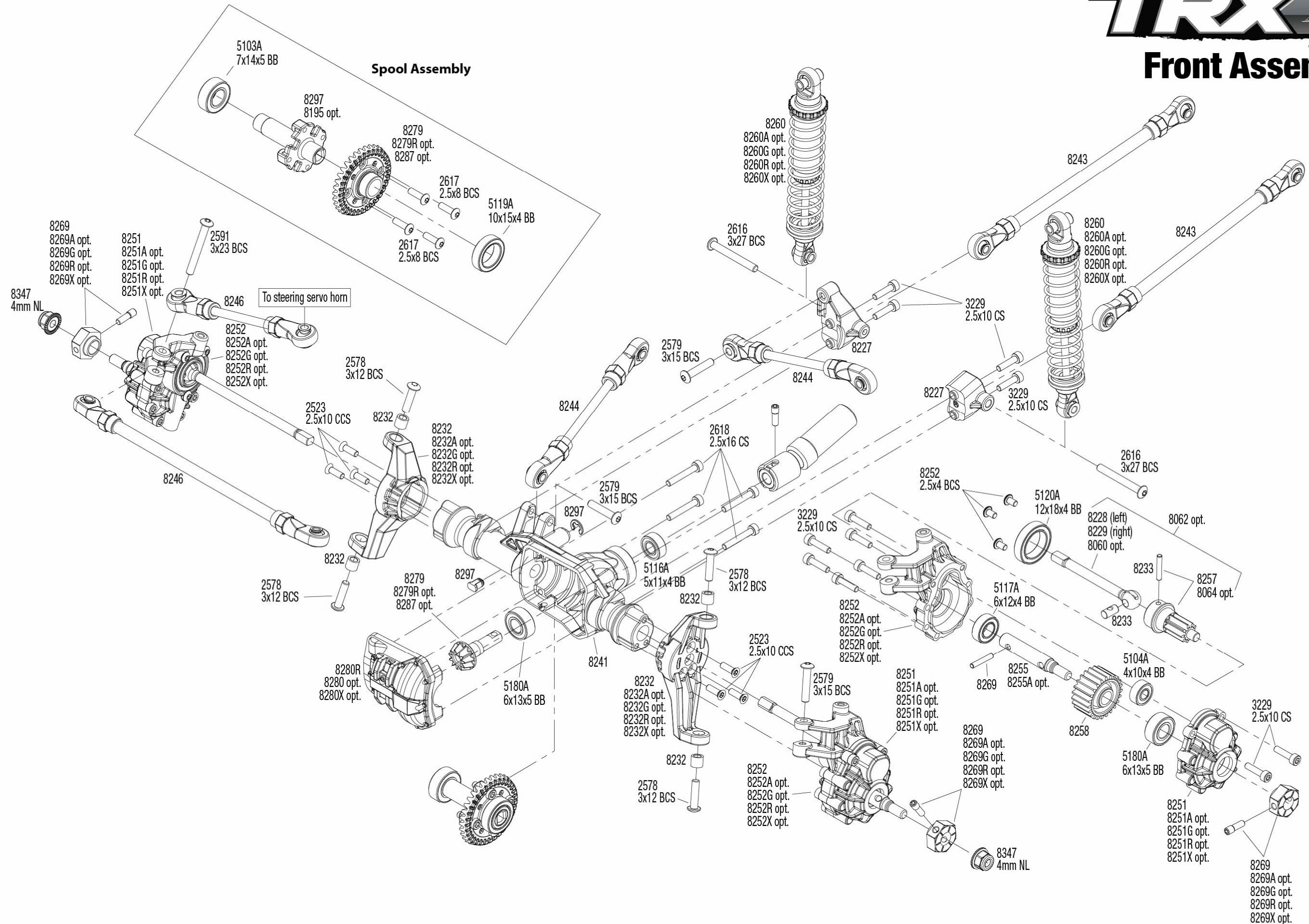
Specifications on this page are subject to change without notice. Every attempt has been made to ensure the accuracy of this drawing; however, Traxxas cannot be held responsible for typographical or other errors.

Expedition Rack Assembly



TRX4[®]

Front Assembly



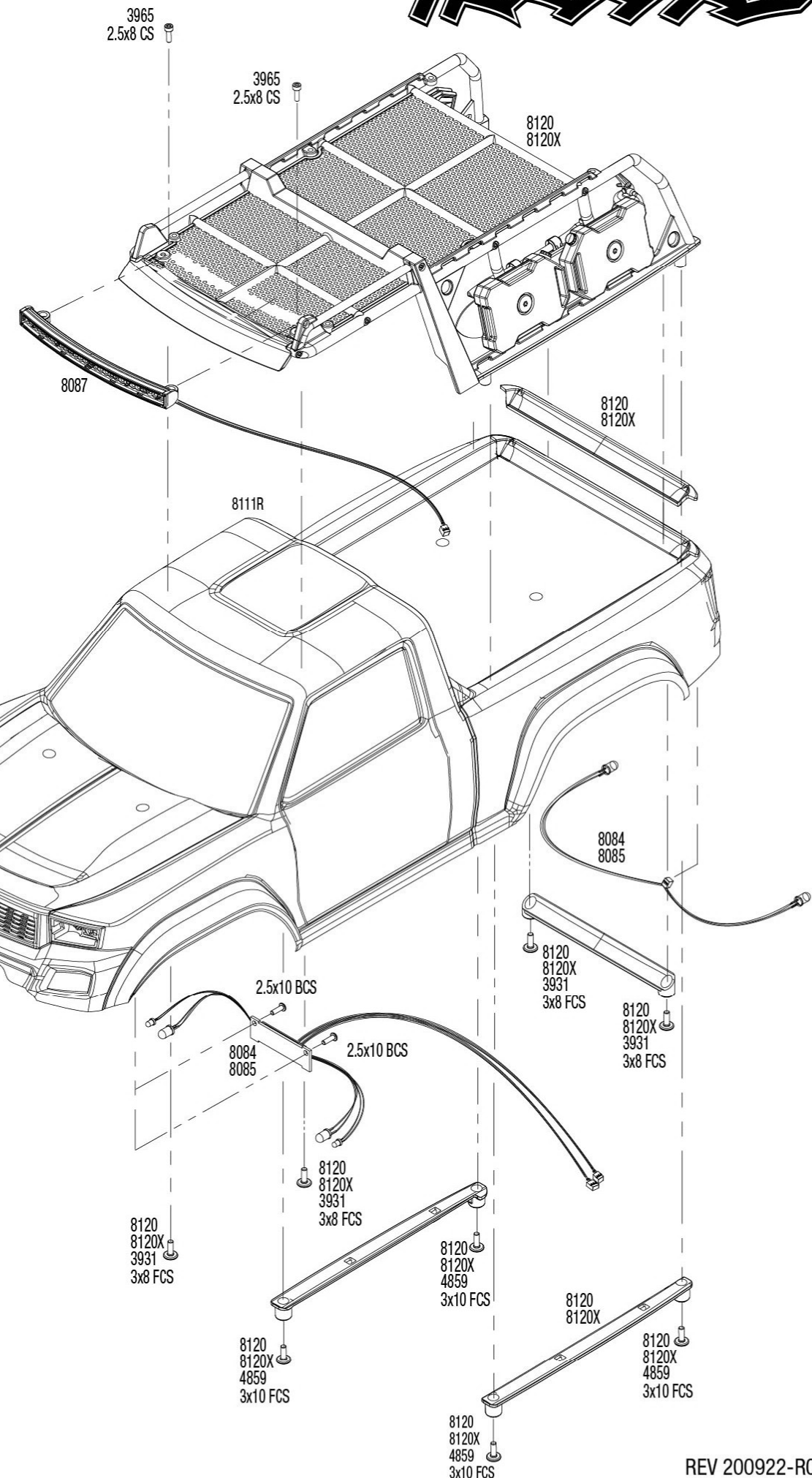
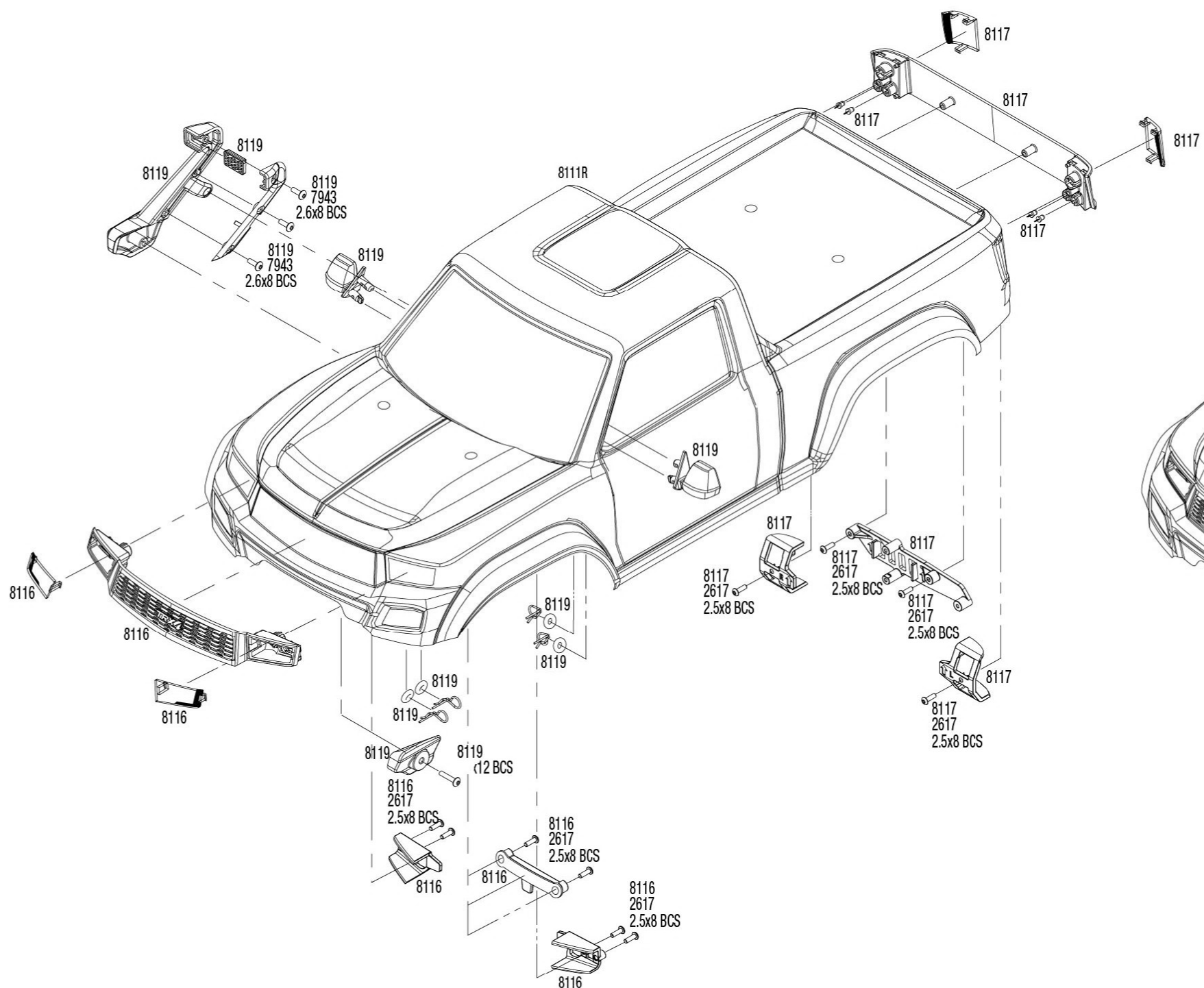
See Parts List for a complete listing of optional accessories.

Specifications on this page are subject to change without notice. Every attempt has been made to ensure the accuracy of this drawing; however, Traxxas cannot be held responsible for typographical or other errors.

REV 190510-R00

TRX4

Body Assembly

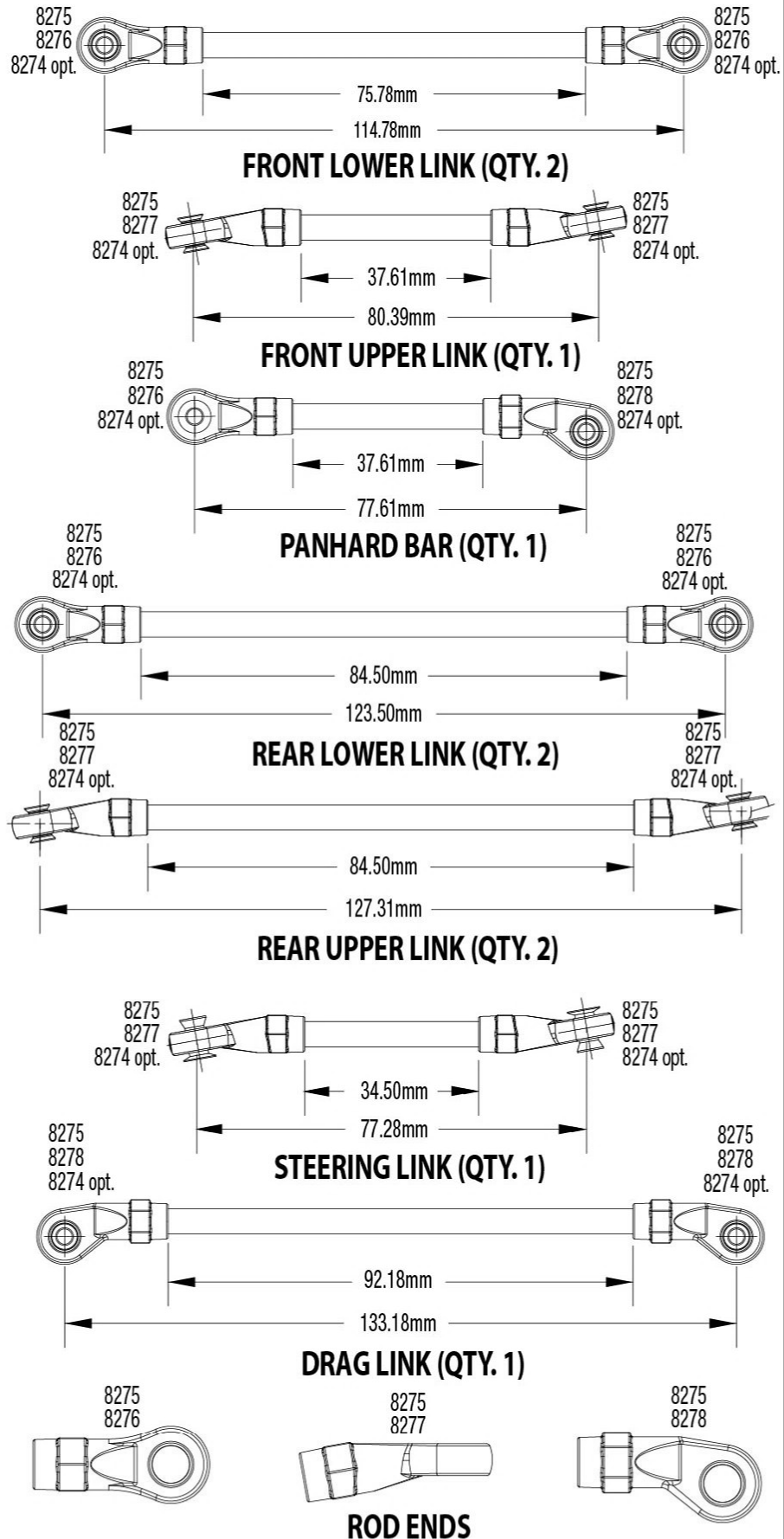


See Parts List for a complete listing of optional accessories.

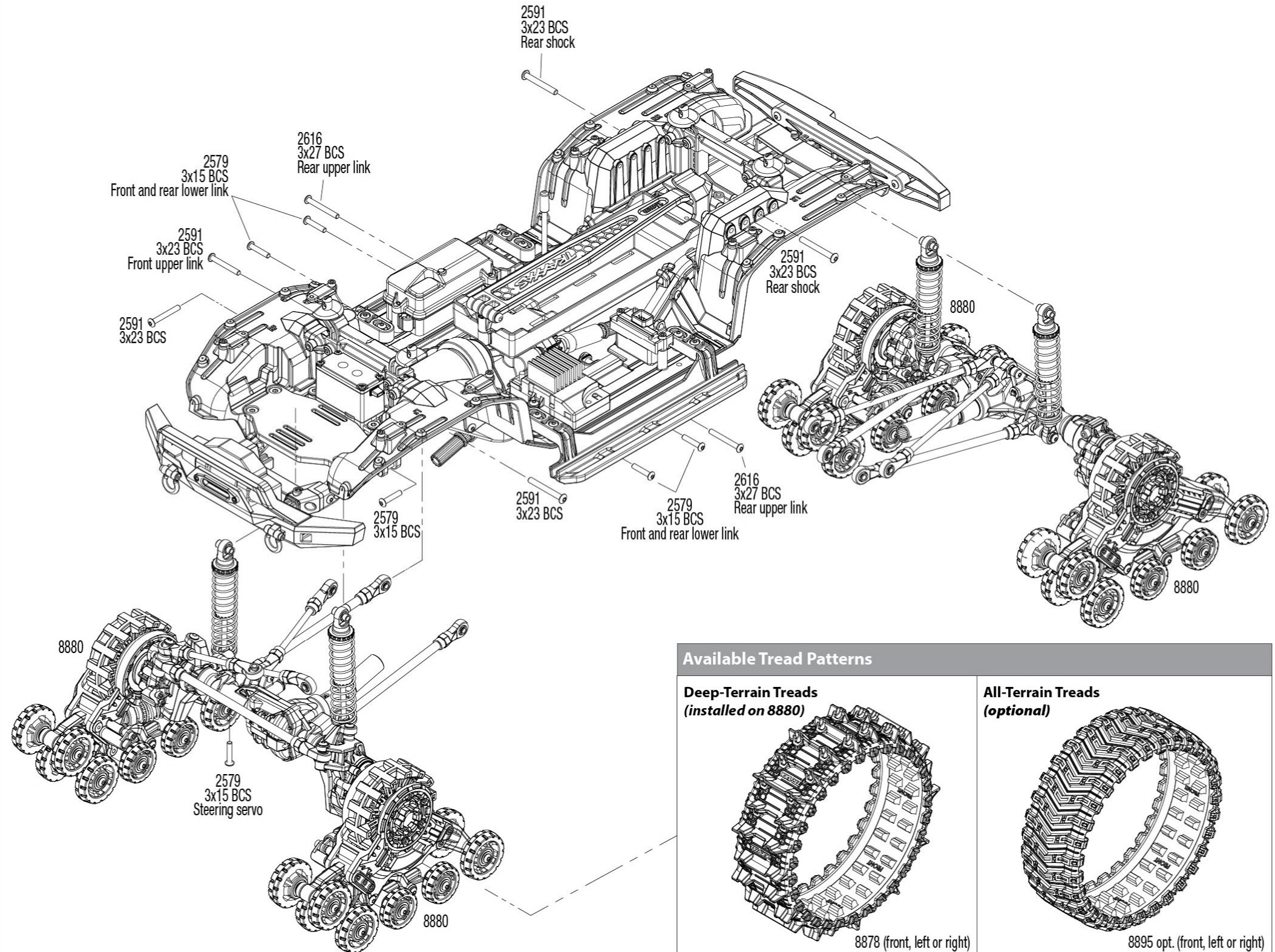
Specifications on this page are subject to change without notice. Every attempt has been made to ensure the accuracy of this drawing; however, Traxxas cannot be held responsible for typographical or other errors.

REV 200922-R04

Link Dimensions

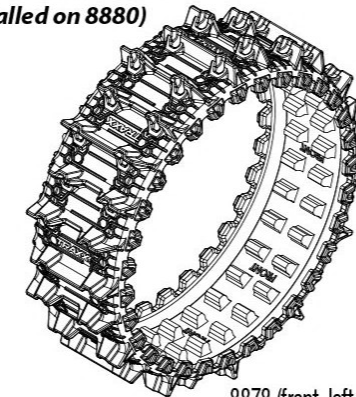


Modular Assembly



Available Tread Patterns

Deep-Terrain Treads
(installed on 8880)



8878 (front, left or right)
8879 (rear, left or right)

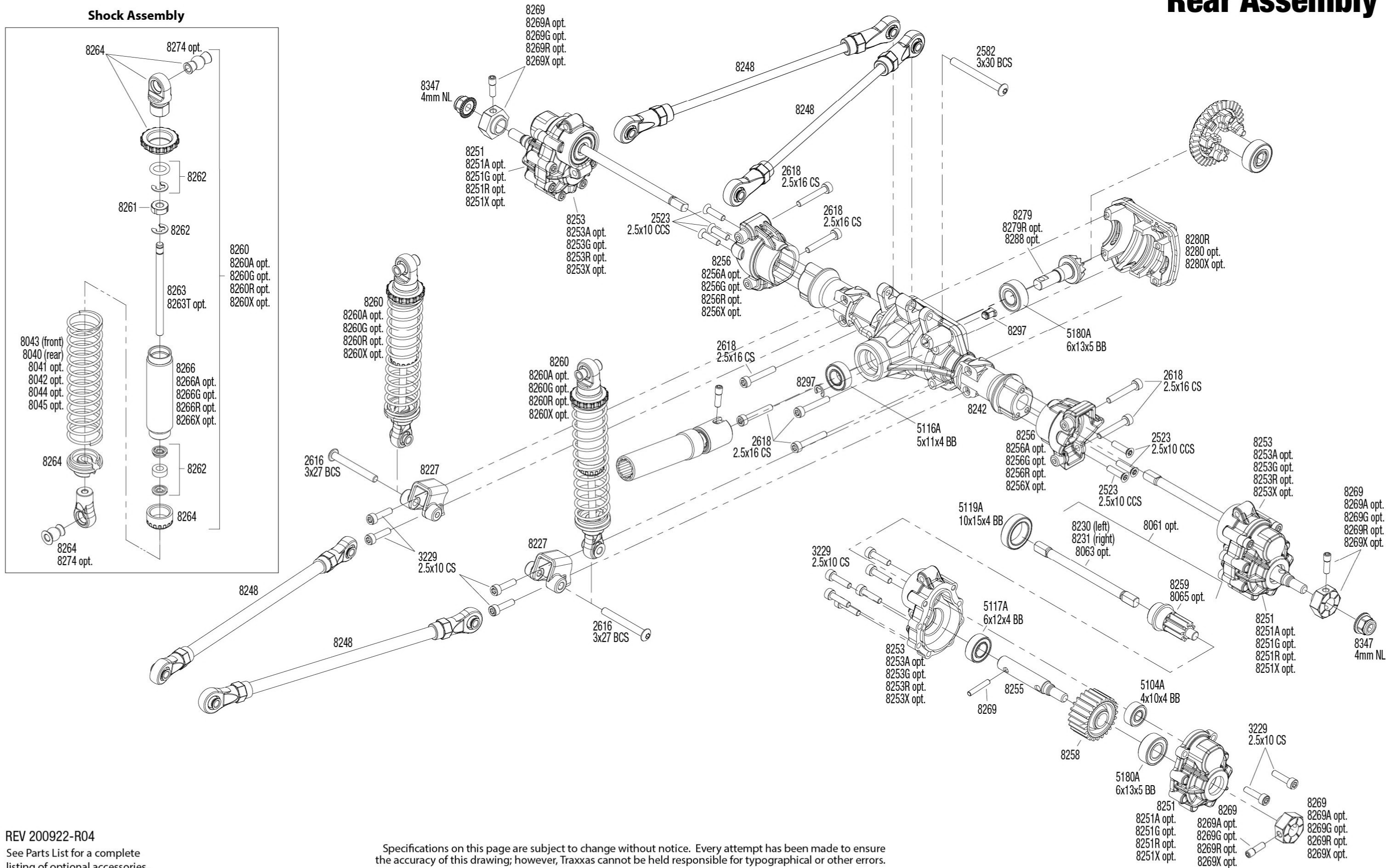
All-Terrain Treads
(optional)



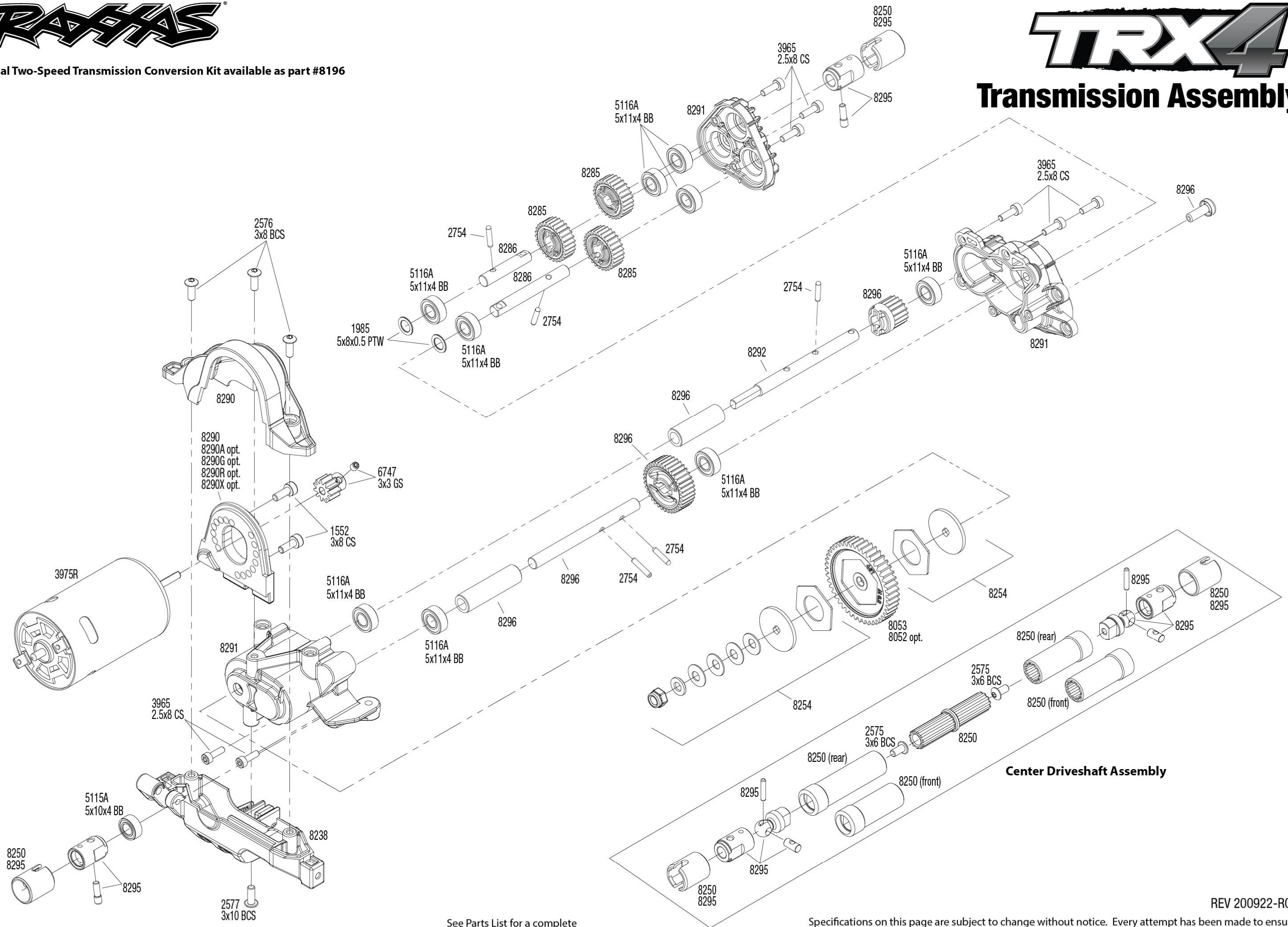
8895 opt. (front, left or right)
8896 opt. (rear, left or right)

See Parts List for a complete listing of optional accessories.

Specifications on this page are subject to change without notice. Every attempt has been made to ensure the accuracy of this drawing; however, Traxxas cannot be held responsible for typographical or other errors.



Transmission Assembly



See Parts List for a complete listing of optional accessories.

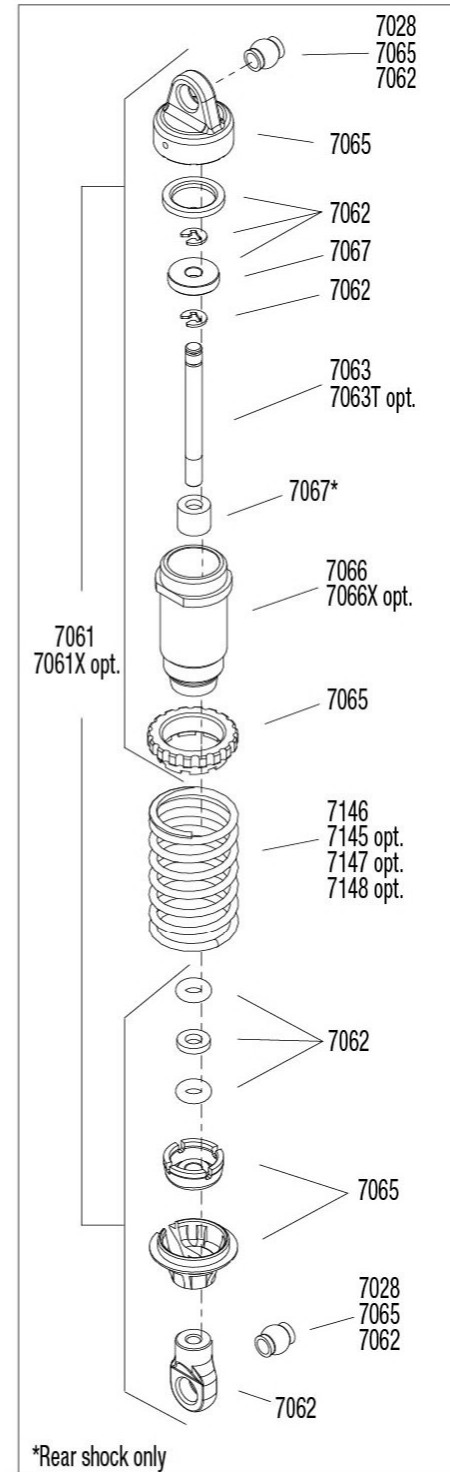
Specifications on this page are subject to change without notice. Every attempt has been made to ensure the accuracy of this drawing; however, Traxxas cannot be held responsible for typographical or other errors.



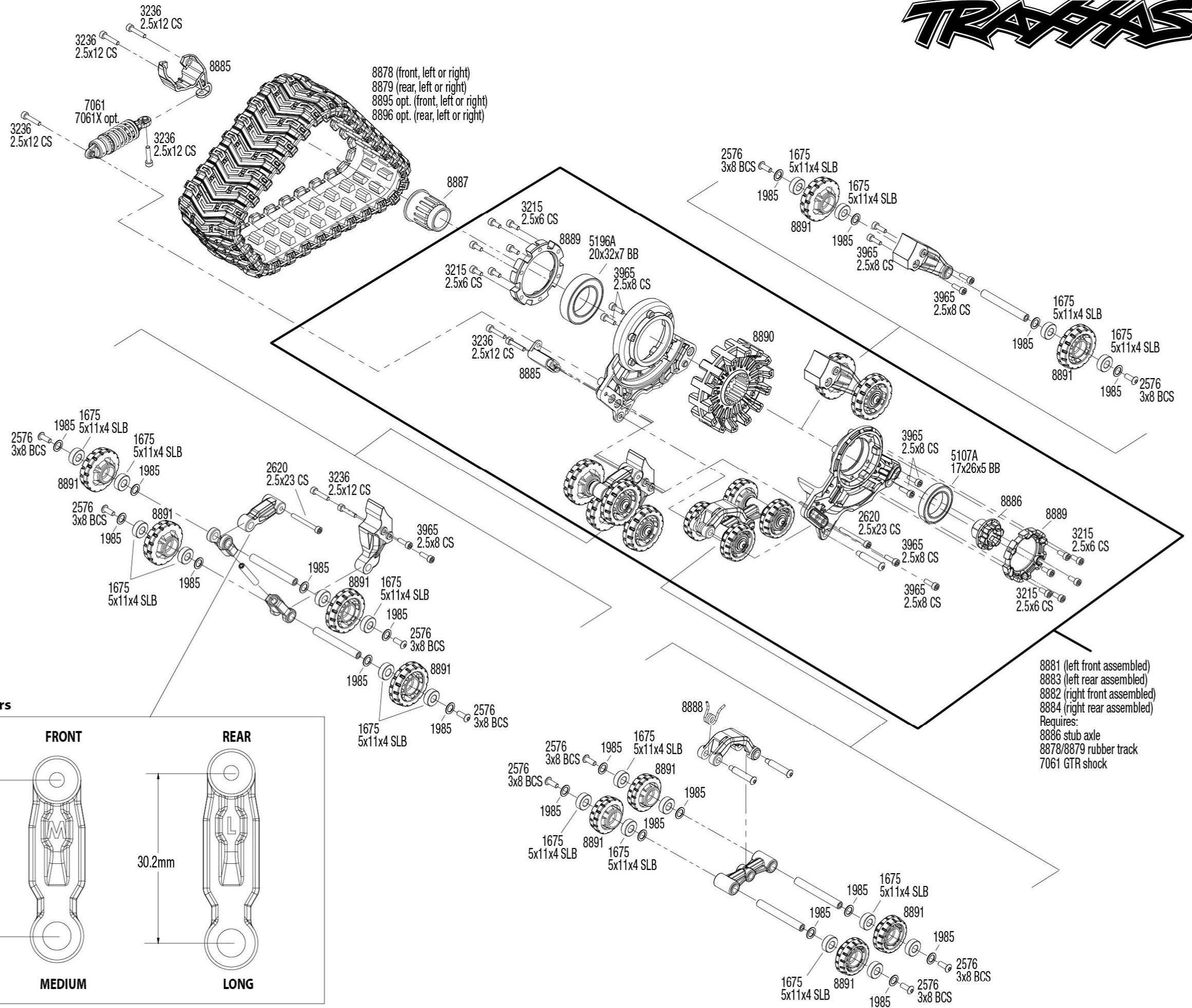
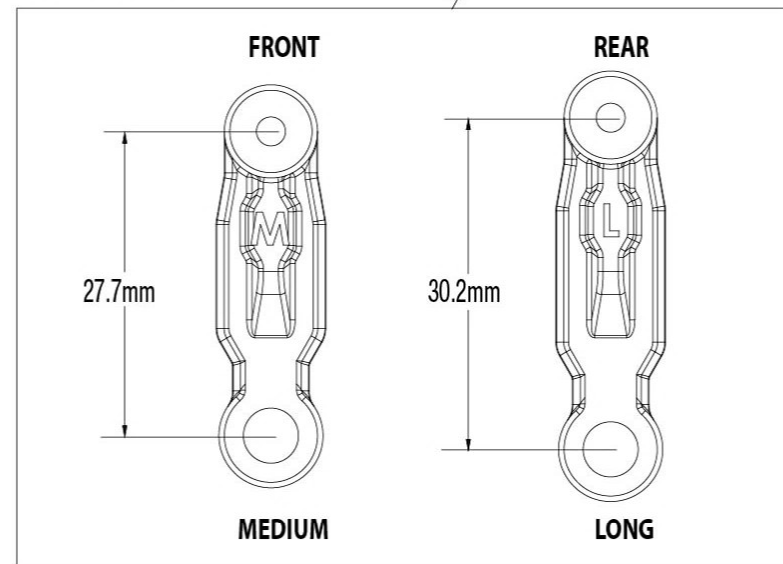
All-Terrain Traxx™ Assembly



Shock Assembly



Tension Bars



See Parts List for a complete listing of optional accessories.

Specifications on this page are subject to change without notice. Every attempt has been made to ensure the accuracy of this drawing; however, Traxxas cannot be held responsible for typographical or other errors.

TRAXXAS Vehicle Steering Servo Upgrade Chart

Traxxas Vehicle	Traxxas Std Steering Servo	Traxxas Metal Gear Conversion	Traxxas Option Servo #1	Traxxas Option Servo #2	Savöx Option Servo #1	Savöx Option Servo #2	Notes
Bandit XL5	2056 (5.76kg/cm - 0.23s) PG	–	2075X (9kg/cm - 0.17s) MG	2250 (23.8kg/cm - 0.19s) MG	SAV-SW0230MG (6.5kg/cm - 0.16s) MG	SAV-SW0231MG (15kg/cm - 0.17s) MG	
Bandit VXL	2075 (9kg/cm - 0.17s) PG	2072X	2075X (9kg/cm - 0.17s) MG	2250 (23.8kg/cm - 0.19s) MG	SAV-SW0231MG (15kg/cm - 0.17s) MG	SAV-SW1210SG (20kg/cm - 0.15s) SG	
Rustler XL5	2056 (5.76kg/cm - 0.23s) PG	–	2075X (9kg/cm - 0.17s) MG	2250 (23.8kg/cm - 0.19s) MG	SAV-SW0230MG (6.5kg/cm - 0.16s) MG	SAV-SW0231MG (15kg/cm - 0.17s) MG	
Rustler VXL	2075 (9kg/cm - 0.17s) PG	2072X	2075X (9kg/cm - 0.17s) MG	2250 (23.8kg/cm - 0.19s) MG	SAV-SW0231MG (15kg/cm - 0.17s) MG	SAV-SW1210SG (20kg/cm - 0.15s) SG	
Stampede XL5 (+Bigfoot)	2056 (5.76kg/cm - 0.23s) PG	–	2075X (9kg/cm - 0.17s) MG	2250 (23.8kg/cm - 0.19s) MG	SAV-SW0230MG (6.5kg/cm - 0.16s) MG	SAV-SW0231MG (15kg/cm - 0.17s) MG	
Stampede VXL	2075 (9kg/cm - 0.17s) PG	2072X	2075X (9kg/cm - 0.17s) MG	2250 (23.8kg/cm - 0.19s) MG	SAV-SW0231MG (15kg/cm - 0.17s) MG	SAV-SW1210SG (20kg/cm - 0.15s) SG	
Slash XL5 (+ Ford Raptor)	2075 (9kg/cm - 0.17s) PG	2072X	2075X (9kg/cm - 0.17s) MG	2250 (23.8kg/cm - 0.19s) MG	SAV-SW0231MG (15kg/cm - 0.17s) MG	SAV-SW1210SG (20kg/cm - 0.15s) SG	
Slash VXL	2075 (9kg/cm - 0.17s) PG	2072X	2075X (9kg/cm - 0.17s) MG	2250 (23.8kg/cm - 0.19s) MG	SAV-SW0231MG (15kg/cm - 0.17s) MG	SAV-SW1210SG (20kg/cm - 0.15s) SG	
Drag Slash VXL	2075 (9kg/cm - 0.17s) PG	2072X	2075X (9kg/cm - 0.17s) MG	2250 (23.8kg/cm - 0.19s) MG	SAV-SW0231MG (15kg/cm - 0.17s) MG	SAV-SW1210SG (20kg/cm - 0.15s) SG	
Rustler 4x4 XL5	2056 (5.76kg/cm - 0.23s) PG	–	2075X (9kg/cm - 0.17s) MG	2250 (23.8kg/cm - 0.19s) MG	SAV-SW0230MG (6.5kg/cm - 0.16s) MG	SAV-SW0231MG (15kg/cm - 0.17s) MG	
Rustler 4x4 VXL	2075 (9kg/cm - 0.17s) PG	2072X	2075X (9kg/cm - 0.17s) MG	2255 (28.8kg/cm - 0.15s) MG	SAV-SW0231MG (15kg/cm - 0.17s) MG	SAV-SW1210SG (20kg/cm - 0.15s) SG	
Stampede 4x4 XL5	2056 (5.76kg/cm - 0.23s) PG	–	2075X (9kg/cm - 0.17s) MG	2250 (23.8kg/cm - 0.19s) MG	SAV-SW0230MG (6.5kg/cm - 0.16s) MG	SAV-SW0231MG (15kg/cm - 0.17s) MG	
Stampede 4x4 VXL	2075 (9kg/cm - 0.17s) PG	2072X	2075X (9kg/cm - 0.17s) MG	2255 (28.8kg/cm - 0.15s) MG	SAV-SW0231MG (15kg/cm - 0.17s) MG	SAV-SW1210SG (20kg/cm - 0.15s) SG	
Hoss 4x4 VXL	2075 (9kg/cm - 0.17s) PG	2072X	2250 (23.8kg/cm - 0.19s) MG	2255 (28.8kg/cm - 0.15s) MG	SAV-SW1210SG (20kg/cm - 0.15s) SG	SAV-SA1230SG (36kg/cm - 0.16s) SG	
Maxx 4x4 VXL	2090 (no specs available) PG	–	2085X (26.3kg/cm - 0.17s) MG*	2255 (28.8kg/cm - 0.15s) MG*	SAV-SW1210SG (20kg/cm - 0.15s) SG*	SAV-SA1230SG (36kg/cm - 0.16s) SG*	*Use with Traxxas 7749 Servo Holder
Slash 4x4 XL5 (+ Rally XL5)	2056 (5.76kg/cm - 0.23s) PG	–	2075X (9kg/cm - 0.17s) MG	2255 (28.8kg/cm - 0.15s) MG	SAV-SW0230MG (6.5kg/cm - 0.16s) MG	SAV-SW0231MG (15kg/cm - 0.17s) MG	
Slash 4x4 VXL	2075 (9kg/cm - 0.17s) PG	2072X	2075X (9kg/cm - 0.17s) MG	2250 (23.8kg/cm - 0.19s) MG	SAV-SW0231MG (15kg/cm - 0.17s) MG	SAV-SW1210SG (20kg/cm - 0.15s) SG	
Slash 4x4 Ultimate	2075R (High-speed) MG	–	2250 (23.8kg/cm - 0.19s) MG	2255 (28.8kg/cm - 0.15s) MG	SAV-SW0231MG (15kg/cm - 0.17s) MG	SAV-SW1210SG (20kg/cm - 0.15s) SG	
Summit 1/10	2075 (9kg/cm - 0.17s) PG (2)	2072X	2250 (23.8kg/cm - 0.19s) MG*	2255 (28.8kg/cm - 0.15s) MG*	SAV-SW0231MG (15kg/cm - 0.17s) MG	SAV-SW1210SG (20kg/cm - 0.15s) SG*	*Only one servo is needed
TRX-4	2075X (9kg/cm - 0.17s) MG	–	2255 (28.8kg/cm - 0.15s) MG, 2-3s LiPo*	2250 (23.8kg/cm - 0.19s) MG, Up to 2s LiPo*	SAV-SW0231MG (15kg/cm - 0.17s) MG*	SAV-SW1210SG (20kg/cm - 0.15s) SG*	*Use with Traxxas 2262 HD BEC
TRX-4 with TRAXX	2075X (9kg/cm - 0.17s) MG	–	2255 (28.8kg/cm - 0.15s) MG, 2-3s LiPo*	2250 (23.8kg/cm - 0.19s) MG, Up to 2s LiPo*	SAV-SW1210SG (20kg/cm - 0.15s) SG*	SAV-SA1230SG (36kg/cm - 0.16s) SG*	*Use with Traxxas 2262 HD BEC
TRX-6	2075X (9kg/cm - 0.17s) MG	–	2255 (28.8kg/cm - 0.15s) MG, 2-3s LiPo*	2250 (23.8kg/cm - 0.19s) MG, Up to 2s LiPo*	SAV-SW0231MG (15kg/cm - 0.17s) MG*	SAV-SW1210SG (20kg/cm - 0.15s) SG*	*Use with Traxxas 2262 HD BEC
UDR	2075R (High-speed) MG	–	2250 (23.8kg/cm - 0.19s) MG	2255 (28.8kg/cm - 0.15s) MG	SAV-SW1210SG (20kg/cm - 0.15s) SG	SAV-SA1230SG (36kg/cm - 0.16s) SG	
E-Revo VXL	2075 (9kg/cm - 0.17s) PG (2)	2072X	2075X (9kg/cm - 0.17s) MG	2255 (28.8kg/cm - 0.15s) MG*	SAV-SW0231MG (15kg/cm - 0.17s) MG	SAV-SA1230SG (36kg/cm - 0.16s) SG*	*Only one servo is needed
X-Maxx 8s	2085 (26.3kg/cm - 0.17s) PG	2087X	2085X (26.3kg/cm - 0.17s) MG*	2255 (28.8kg/cm - 0.15s) MG*	SAV-SA1230SG (36kg/cm - 0.16s) SG*	SAV-SB2290SG (40kg/cm - 0.16s) SG*	*Use with Traxxas 7749 Servo Holder
4-TEC 2.0/3.0	2075 (9kg/cm - 0.17s) PG	2072X	2075X (9kg/cm - 0.17s) MG	2250 (23.8kg/cm - 0.19s) MG	SAV-SW0231MG (15kg/cm - 0.17s) MG	SAV-SW1210SG (20kg/cm - 0.15s) SG	
XO-1	2075 (9kg/cm - 0.17s) PG	2072X	2075X (9kg/cm - 0.17s) MG	2255 (28.8kg/cm - 0.15s) MG	SAV-SW0231MG (15kg/cm - 0.17s) MG	SAV-SW1210SG (20kg/cm - 0.15s) SG	
Nitro Slash (+ Nitro Rustler)	2055 (9kg/cm - 0.20s) PG	–	2075X (9kg/cm - 0.17s) MG	2250 (23.8kg/cm - 0.19s) MG*	SAV-SW0230MG (6.5kg/cm - 0.16s) MG*	SAV-SW0231MG (15kg/cm - 0.17s) MG*	*Use with 5-cell NiMH Receiver Battery
Slayer Pro 4x4	2075 (9kg/cm - 0.17s) PG	2072X	2075X (9kg/cm - 0.17s) MG	2255 (28.8kg/cm - 0.15s) MG*	SAV-SW0231MG (15kg/cm - 0.17s) MG*	SAV-SW1210SG (20kg/cm - 0.15s) SG*	*Use with 5-cell NiMH Receiver Battery
Jato 3.3	2055 (9kg/cm - 0.20s) PG	–	2075X (9kg/cm - 0.17s) MG	2250 (23.8kg/cm - 0.19s) MG*	SAV-SW0231MG (15kg/cm - 0.17s) MG*	SAV-SW1210SG (20kg/cm - 0.15s) SG*	*Use with 5-cell NiMH Receiver Battery
T-Maxx 3.3	2070 (9kg/cm - 0.17s) PG	2072X	2075X (9kg/cm - 0.17s) MG	2250 (23.8kg/cm - 0.19s) MG*	SAV-SW0231MG (15kg/cm - 0.17s) MG*	SAV-SW1210SG (20kg/cm - 0.15s) SG*	*Use with 5-cell NiMH Receiver Battery
Revo 3.3	2075 (9kg/cm - 0.17s) PG (2)	2072X	2075X (9kg/cm - 0.17s) MG	2250 (23.8kg/cm - 0.19s) MG*	SAV-SW0231MG (15kg/cm - 0.17s) MG*	SAV-SW1210SG (20kg/cm - 0.15s) SG*	*Use with 5-cell NiMH Receiver Battery
1/16 Slash 4x4	2080 (3kg/cm - 0.11s) PG	–	2080X (3kg/cm - 0.11s) MG	–	SAV-SW0250MG (5kg/cm - 0.11s) MG	–	
1/16 E-Revo 4x4 XL3/VXL	2080 (3kg/cm - 0.11s) PG	–	2080X (3kg/cm - 0.11s) MG	–	SAV-SW0250MG (5kg/cm - 0.11s) MG	–	
1/16 Summit	2080 (3kg/cm - 0.11s) PG	–	2080X (3kg/cm - 0.11s) MG	–	SAV-SW0250MG (5kg/cm - 0.11s) MG	–	
1/18 Teton (LaTrax)	2065 (2.3kg/cm - 0.20s) PG	–	2065X (2.3kg/cm - 0.20s) MG	–	–	–	
1/18 Rally (LaTrax)	2065 (2.3kg/cm - 0.20s) PG	–	2065X (2.3kg/cm - 0.20s) MG	–	–	–	
1/18 Prerunner/SST (LaTrax)	2065 (2.3kg/cm - 0.20s) PG	–	2065X (2.3kg/cm - 0.20s) MG	–	–	–	