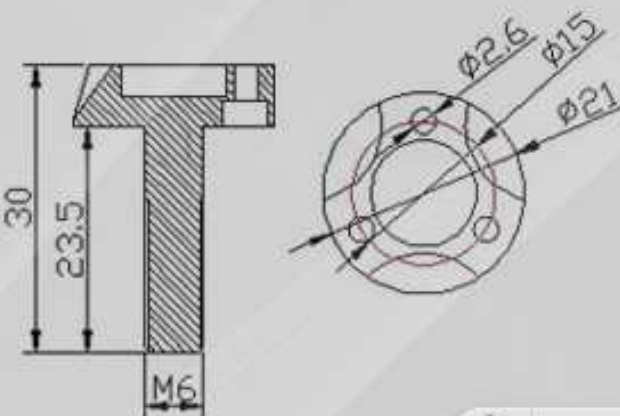
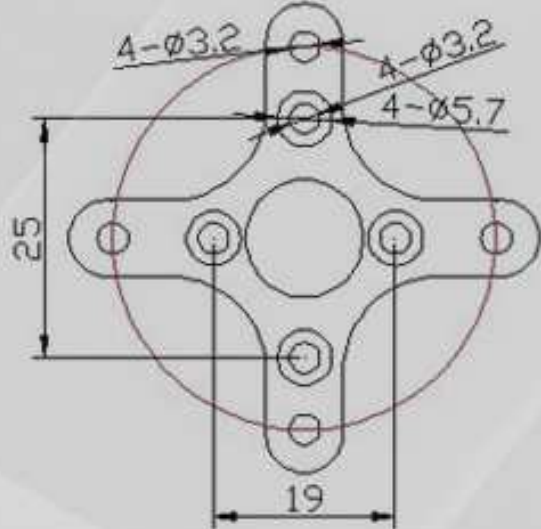
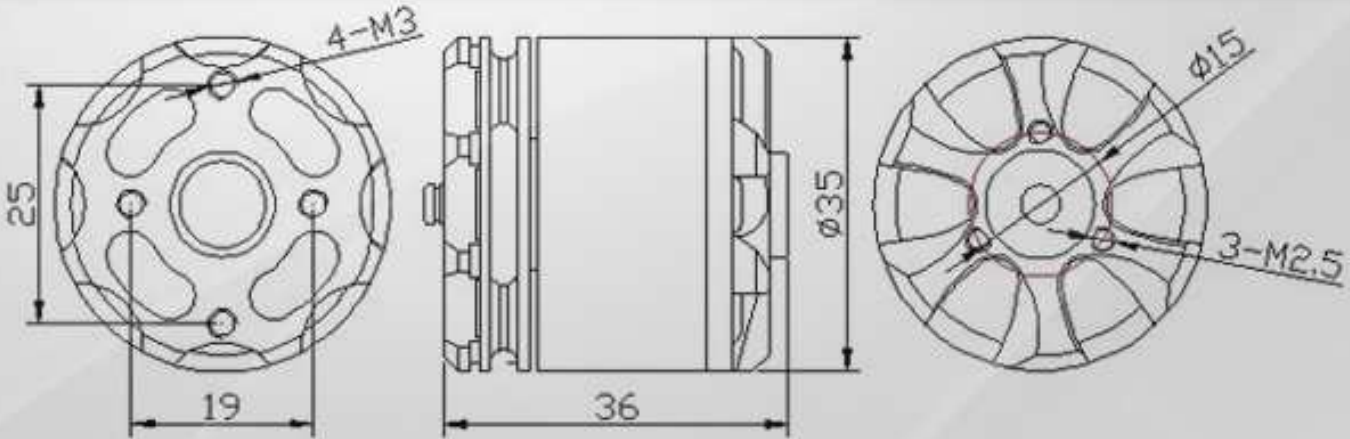


Item No.	Volts (V)	Prop	Throttle	Amps (A)	Watts (W)	Thrust (g)	RPM	Efficiency (g/W)	Operating temperature(°C)
Antigravity MT2814 KV710	11.1	T-MOTOR 11*3.7CF	50%	3	33	310	4730	9.31	37
			65%	4.1	46	360	5300	7.91	
			75%	5	56	400	5750	7.21	
			85%	6.9	77	530	6450	6.92	
			100%	8.4	93	630	6900	6.76	
		T-MOTOR 12*4CF	50%	3.3	37	430	4300	11.74	38
			65%	4.7	52	500	4900	9.58	
			75%	6.6	73	660	5550	9.01	
			85%	8.8	98	800	6150	8.19	
			100%	10.8	120	920	6580	7.67	
		T-MOTOR 13*4.4CF	50%	3.6	40	510	4100	12.76	43
			65%	5.5	61	600	4800	9.83	
			75%	7.7	85	760	5400	8.89	
			85%	10.3	114	900	6000	7.87	
			100%	12.6	140	1060	6400	7.58	
	T-MOTOR 14*4.8CF	50%	4.2	47	560	3600	12.01	48	
		65%	7.5	83	800	4450	9.61		
		75%	10.7	119	1000	5000	8.42		
		85%	14	155	1200	5500	7.72		
		100%	16.9	188	1360	5800	7.25		
T-MOTOR 15*5CF	50%	5.1	57	700	3400	12.37	55		
	65%	9.1	101	920	4100	9.11			
	75%	13.1	145	1140	4600	7.84			
	85%	17.3	192	1380	5050	7.19			
	100%	20.3	225	1530	5300	6.79			
14.8	T-MOTOR 11*3.7CF	50%	4.4	65	540	6000	8.29	45	
		65%	6.1	90	600	6700	6.65		
		75%	8.2	121	760	7400	6.26		
		85%	11	163	940	8300	5.77		
		100%	13.3	197	1100	8800	5.59		
	T-MOTOR 12*4CF	50%	4.9	73	680	5500	9.38	50	
		65%	7.7	114	860	6400	7.55		
		75%	10.5	155	1040	7100	6.69		
		85%	14.1	209	1280	7800	6.13		
		100%	16.8	249	1460	8300	5.87		
	T-MOTOR 13*4.4CF	50%	5.2	77	700	5100	9.10	54	
		65%	8.8	130	980	6100	7.52		
		75%	12	178	1200	6840	6.76		
		85%	15.7	232	1480	7500	6.37		
		100%	19.2	284	1600	7950	5.63		

Notes: The test condition of temperature is motor surface temperature in 100% throttle while the motor run 10 min.



T-motor Antigravity series products is upgrade some special power system which is popular in the multirotor market. By leveraging precisely comparison test we upgraded them form higher efficiency,higher stability.



SERVICE



MOTOR

antiGravity!TM
EDITION



Antigravity version:
Upgrade your copter and boost
your propulsion system.

MT2814



悬浮 完美升级你的动力系统



To upgraded your multiroto-copter-
power system.

MK3538 is one of the best widely popular motors in the multirotor market, Our MT2814 Antigravity is special designed to upgrade the MK3538.



Relevant parts : M6 Short prop adapter



Installation of M6 prop





Antigravity 2814 2pc/box all black
(with 1pc CW prop adapter+ 1pc CWW prop adapter)

領航版

Perfecting packing



 **T-MOTOR**
THE SAFEST PROPELLION SYSTEM

WWW.TMOTOR.COM

T-MOTOR
THE SAFEST PROPELLION SYSTEM





Анодированый МТ2814









T-MOTOR
HIGH PERFORMANCE BRUSHLESS MOTORS





7-MOTOR
HIGH PERFORMANCE BRUSHLESS MOTORS