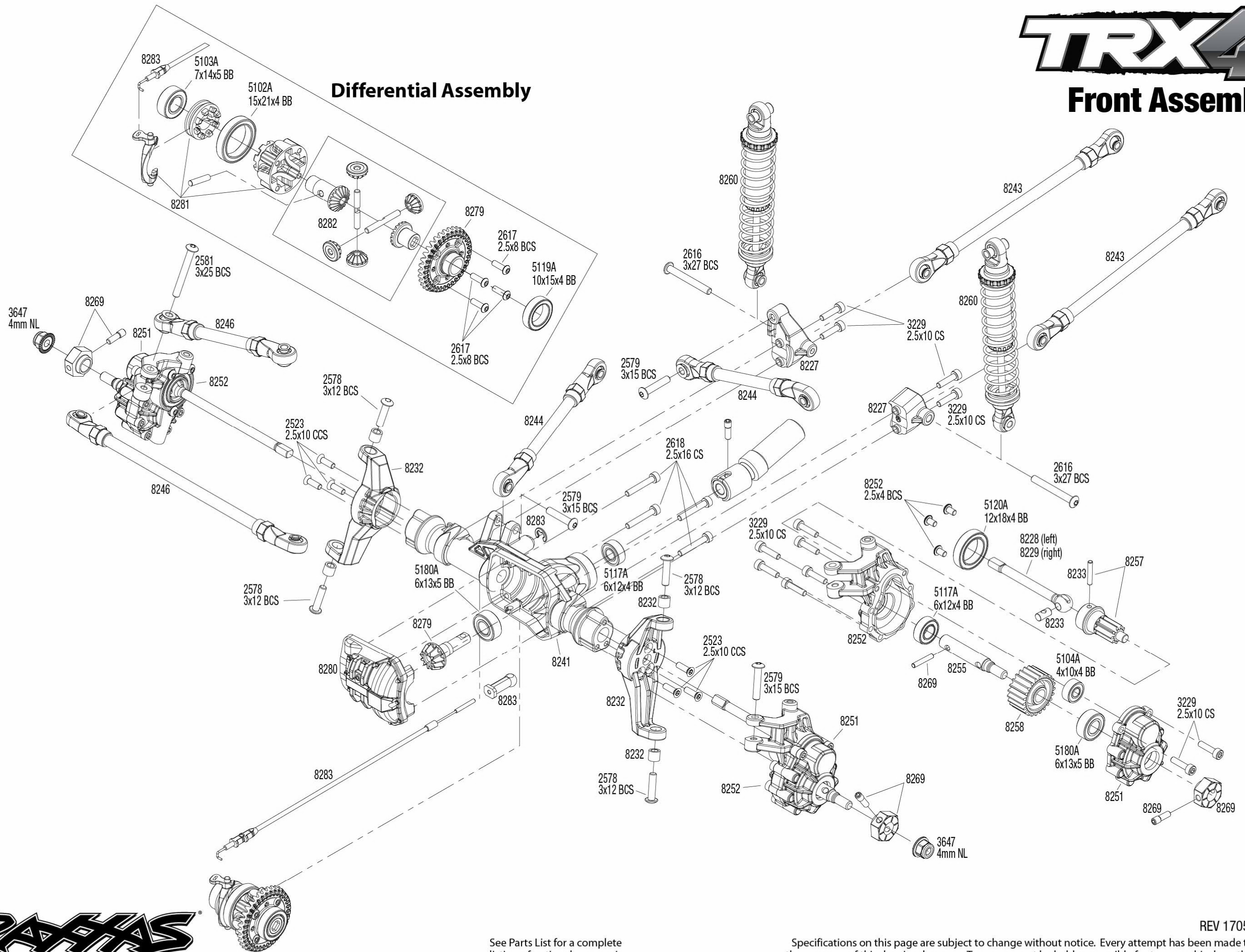


# TRX4

## Front Assembly

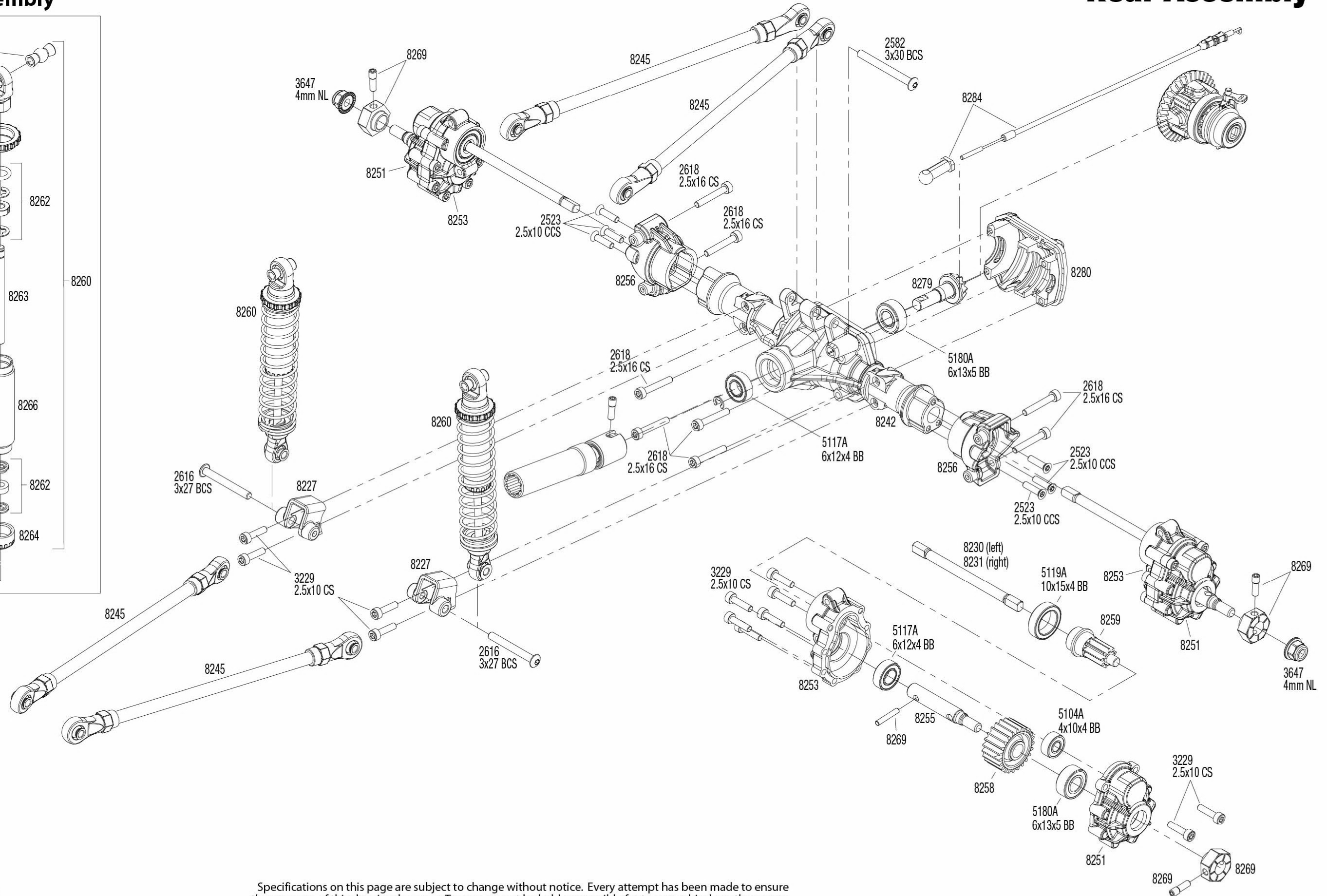
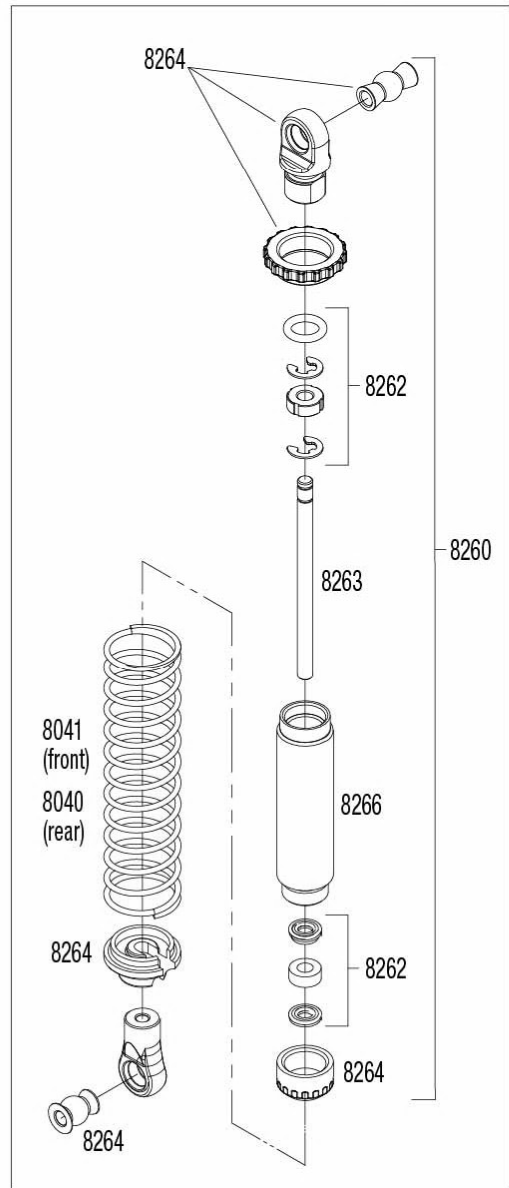


See Parts List for a complete listing of optional accessories.

Specifications on this page are subject to change without notice. Every attempt has been made to ensure the accuracy of this drawing; however, Traxxas cannot be held responsible for typographical or other errors.

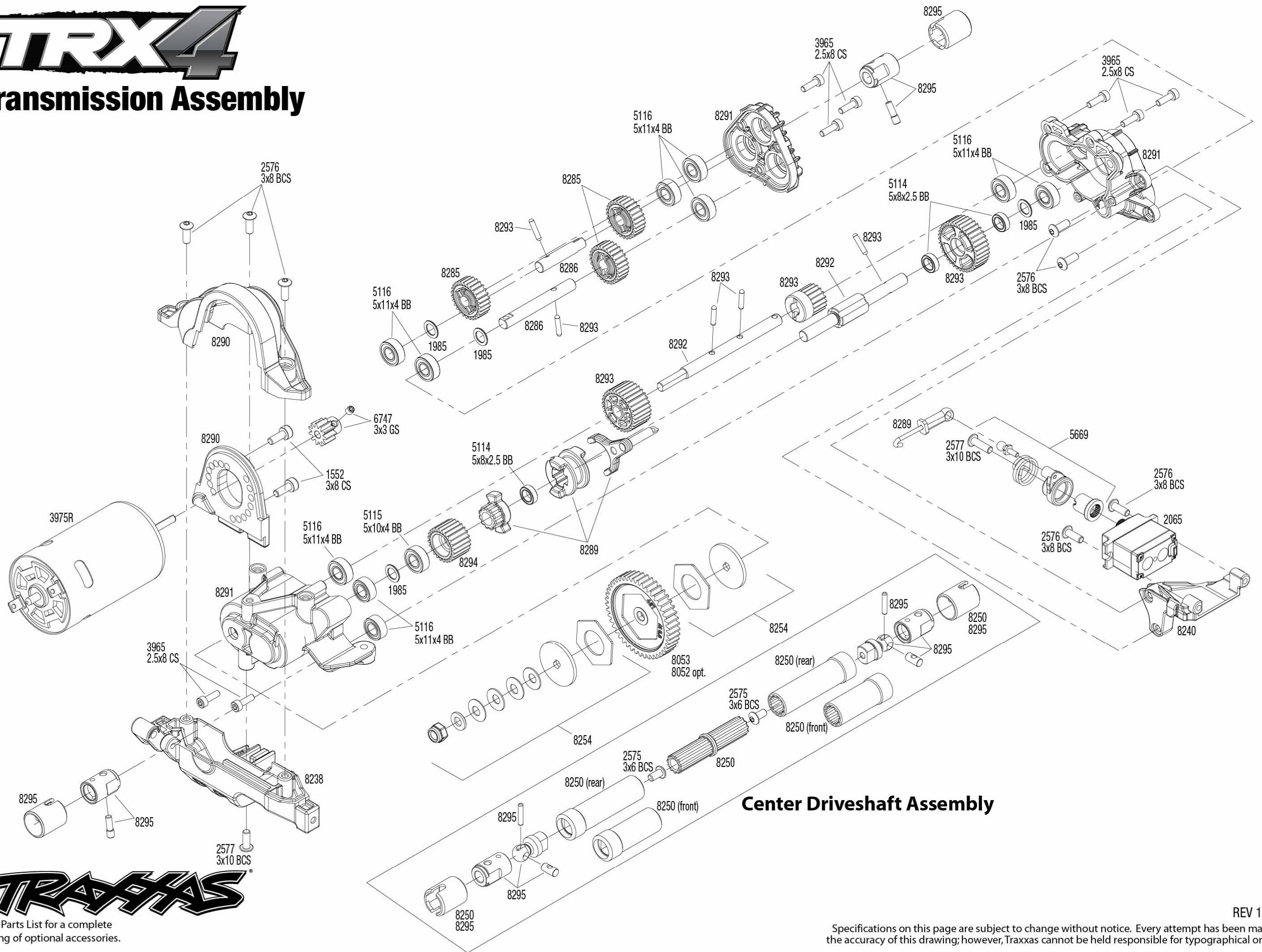
REV 170511-R00

### Shock Assembly



# TRX4

## Transmission Assembly



### Center Driveshaft Assembly



See Parts List for a complete listing of optional accessories.

REV 170511-R00

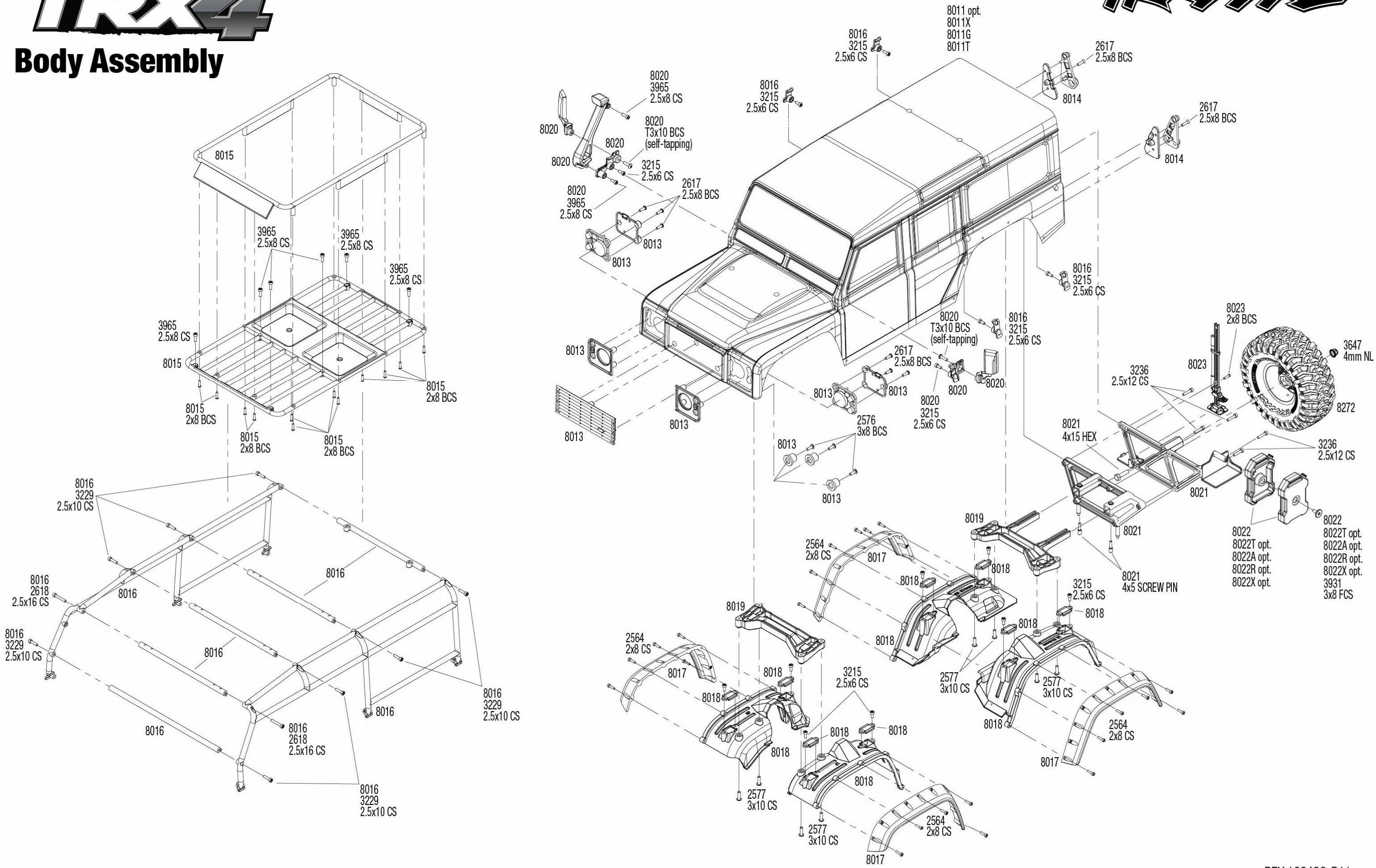
Specifications on this page are subject to change without notice. Every attempt has been made to ensure the accuracy of this drawing; however, Traxxas cannot be held responsible for typographical or other errors.

# TRAXXAS Vehicle Steering Servo Upgrade Chart

Traxxas Vehicle	Traxxas Std Steering Servo	Traxxas Metal Gear Conversion	Traxxas Option Servo #1	Traxxas Option Servo #2	Savox Option Servo #1	Savox Option Servo #2	Notes
Bandit XL5	2056 (5.76kg/cm - 0.23s) PG	–	2075X (9kg/cm - 0.17s) MG	2250 (23.8kg/cm - 0.19s) MG	SAV-SW0230MG (6.5kg/cm - 0.16s) MG	SAV-SW0231MG (15kg/cm - 0.17s) MG	
Bandit VXL	2075 (9kg/cm - 0.17s) PG	2072X	2075X (9kg/cm - 0.17s) MG	2250 (23.8kg/cm - 0.19s) MG	SAV-SW0231MG (15kg/cm - 0.17s) MG	SAV-SW1210SG (20kg/cm - 0.15s) SG	
Rustler XL5	2056 (5.76kg/cm - 0.23s) PG	–	2075X (9kg/cm - 0.17s) MG	2250 (23.8kg/cm - 0.19s) MG	SAV-SW0230MG (6.5kg/cm - 0.16s) MG	SAV-SW0231MG (15kg/cm - 0.17s) MG	
Rustler VXL	2075 (9kg/cm - 0.17s) PG	2072X	2075X (9kg/cm - 0.17s) MG	2250 (23.8kg/cm - 0.19s) MG	SAV-SW0231MG (15kg/cm - 0.17s) MG	SAV-SW1210SG (20kg/cm - 0.15s) SG	
Stampede XL5 (+Bigfoot)	2056 (5.76kg/cm - 0.23s) PG	–	2075X (9kg/cm - 0.17s) MG	2250 (23.8kg/cm - 0.19s) MG	SAV-SW0230MG (6.5kg/cm - 0.16s) MG	SAV-SW0231MG (15kg/cm - 0.17s) MG	
Stampede VXL	2075 (9kg/cm - 0.17s) PG	2072X	2075X (9kg/cm - 0.17s) MG	2250 (23.8kg/cm - 0.19s) MG	SAV-SW0231MG (15kg/cm - 0.17s) MG	SAV-SW1210SG (20kg/cm - 0.15s) SG	
Slash XL5 (+ Ford Raptor)	2075 (9kg/cm - 0.17s) PG	2072X	2075X (9kg/cm - 0.17s) MG	2250 (23.8kg/cm - 0.19s) MG	SAV-SW0231MG (15kg/cm - 0.17s) MG	SAV-SW1210SG (20kg/cm - 0.15s) SG	
Slash VXL	2075 (9kg/cm - 0.17s) PG	2072X	2075X (9kg/cm - 0.17s) MG	2250 (23.8kg/cm - 0.19s) MG	SAV-SW0231MG (15kg/cm - 0.17s) MG	SAV-SW1210SG (20kg/cm - 0.15s) SG	
Rustler 4x4 XL5	2056 (5.76kg/cm - 0.23s) PG	–	2075X (9kg/cm - 0.17s) MG	2250 (23.8kg/cm - 0.19s) MG	SAV-SW0230MG (6.5kg/cm - 0.16s) MG	SAV-SW0231MG (15kg/cm - 0.17s) MG	
Rustler 4x4 VXL	2075 (9kg/cm - 0.17s) PG	2072X	2075X (9kg/cm - 0.17s) MG	2255 (28.8kg/cm - 0.15s) MG	SAV-SW0231MG (15kg/cm - 0.17s) MG	SAV-SW1210SG (20kg/cm - 0.15s) SG	
Stampede 4x4 XL5	2056 (5.76kg/cm - 0.23s) PG	–	2075X (9kg/cm - 0.17s) MG	2250 (23.8kg/cm - 0.19s) MG	SAV-SW0230MG (6.5kg/cm - 0.16s) MG	SAV-SW0231MG (15kg/cm - 0.17s) MG	
Stampede 4x4 VXL	2075 (9kg/cm - 0.17s) PG	2072X	2075X (9kg/cm - 0.17s) MG	2255 (28.8kg/cm - 0.15s) MG	SAV-SW0231MG (15kg/cm - 0.17s) MG	SAV-SW1210SG (20kg/cm - 0.15s) SG	
Hoss 4x4 VXL	2075 (9kg/cm - 0.17s) PG	2072X	2250 (23.8kg/cm - 0.19s) MG	2255 (28.8kg/cm - 0.15s) MG	SAV-SW1210SG (20kg/cm - 0.15s) SG	SAV-SA1230SG (36kg/cm - 0.16s) SG	
Maxx 4x4 VXL	2090 (no specs available) PG	–	2085X (26.3kg/cm - 0.17s) MG*	2255 (28.8kg/cm - 0.15s) MG*	SAV-SW1210SG (20kg/cm - 0.15s) SG*	SAV-SA1230SG (36kg/cm - 0.16s) SG*	*Use with Traxxas 7749 Servo Holder
Slash 4x4 XL5 (+ Rally XL5)	2056 (5.76kg/cm - 0.23s) PG	–	2075X (9kg/cm - 0.17s) MG	2255 (28.8kg/cm - 0.15s) MG	SAV-SW0230MG (6.5kg/cm - 0.16s) MG	SAV-SW0231MG (15kg/cm - 0.17s) MG	
Slash 4x4 VXL	2075 (9kg/cm - 0.17s) PG	2072X	2075X (9kg/cm - 0.17s) MG	2250 (23.8kg/cm - 0.19s) MG	SAV-SW0231MG (15kg/cm - 0.17s) MG	SAV-SW1210SG (20kg/cm - 0.15s) SG	
Slash 4x4 Ultimate	2075R (High-speed) MG	–	2250 (23.8kg/cm - 0.19s) MG	2255 (28.8kg/cm - 0.15s) MG	SAV-SW0231MG (15kg/cm - 0.17s) MG	SAV-SW1210SG (20kg/cm - 0.15s) SG	
Summit 1/10	2075 (9kg/cm - 0.17s) PG (2)	2072X	2250 (23.8kg/cm - 0.19s) MG*	2255 (28.8kg/cm - 0.15s) MG*	SAV-SW0231MG (15kg/cm - 0.17s) MG	SAV-SW1210SG (20kg/cm - 0.15s) SG*	*Only one servo is needed
TRX-4	2075X (9kg/cm - 0.17s) MG	–	2255 (28.8kg/cm - 0.15s) MG, 2-3s LiPo*	2250 (23.8kg/cm - 0.19s) MG, Up to 2s LiPo*	SAV-SW0231MG (15kg/cm - 0.17s) MG*	SAV-SW1210SG (20kg/cm - 0.15s) SG*	*Use with Traxxas 2262 HD BEC
TRX-4 with TRAXX	2075X (9kg/cm - 0.17s) MG	–	2255 (28.8kg/cm - 0.15s) MG, 2-3s LiPo*	2250 (23.8kg/cm - 0.19s) MG, Up to 2s LiPo*	SAV-SW1210SG (20kg/cm - 0.15s) SG*	SAV-SA1230SG (36kg/cm - 0.16s) SG*	*Use with Traxxas 2262 HD BEC
TRX-6	2075X (9kg/cm - 0.17s) MG	–	2255 (28.8kg/cm - 0.15s) MG, 2-3s LiPo*	2250 (23.8kg/cm - 0.19s) MG, Up to 2s LiPo*	SAV-SW0231MG (15kg/cm - 0.17s) MG*	SAV-SW1210SG (20kg/cm - 0.15s) SG*	*Use with Traxxas 2262 HD BEC
UDR	2075R (High-speed) MG	–	2250 (23.8kg/cm - 0.19s) MG	2255 (28.8kg/cm - 0.15s) MG	SAV-SW1210SG (20kg/cm - 0.15s) SG	SAV-SA1230SG (36kg/cm - 0.16s) SG	
E-Revo VXL	2075 (9kg/cm - 0.17s) PG (2)	2072X	2075X (9kg/cm - 0.17s) MG	2255 (28.8kg/cm - 0.15s) MG*	SAV-SW0231MG (15kg/cm - 0.17s) MG	SAV-SA1230SG (36kg/cm - 0.16s) SG*	*Only one servo is needed
X-Maxx 8s	2085 (26.3kg/cm - 0.17s) PG	2087X	2085X (26.3kg/cm - 0.17s) MG*	2255 (28.8kg/cm - 0.15s) MG*	SAV-SA1230SG (36kg/cm - 0.16s) SG*	SAV-SB2290SG (40kg/cm - 0.16s) SG*	*Use with Traxxas 7749 Servo Holder
XO-1	2075 (9kg/cm - 0.17s) PG	2072X	2075X (9kg/cm - 0.17s) MG	2255 (28.8kg/cm - 0.15s) MG	SAV-SW0231MG (15kg/cm - 0.17s) MG	SAV-SW1210SG (20kg/cm - 0.15s) SG	
Nitro Slash (+ Nitro Rustler)	2055 (9kg/cm - 0.20s) PG	–	2075X (9kg/cm - 0.17s) MG	2250 (23.8kg/cm - 0.19s) MG*	SAV-SW0230MG (6.5kg/cm - 0.16s) MG*	SAV-SW0231MG (15kg/cm - 0.17s) MG*	*Use with 5-cell NiMH Receiver Battery
Slayer Pro 4x4	2075 (9kg/cm - 0.17s) PG	2072X	2075X (9kg/cm - 0.17s) MG	2255 (28.8kg/cm - 0.15s) MG*	SAV-SW0231MG (15kg/cm - 0.17s) MG*	SAV-SW1210SG (20kg/cm - 0.15s) SG*	*Use with 5-cell NiMH Receiver Battery
Jato 3.3	2055 (9kg/cm - 0.20s) PG	–	2075X (9kg/cm - 0.17s) MG	2250 (23.8kg/cm - 0.19s) MG*	SAV-SW0231MG (15kg/cm - 0.17s) MG*	SAV-SW1210SG (20kg/cm - 0.15s) SG*	*Use with 5-cell NiMH Receiver Battery
T-Maxx 3.3	2070 (9kg/cm - 0.17s) PG	2072X	2075X (9kg/cm - 0.17s) MG	2250 (23.8kg/cm - 0.19s) MG*	SAV-SW0231MG (15kg/cm - 0.17s) MG*	SAV-SW1210SG (20kg/cm - 0.15s) SG*	*Use with 5-cell NiMH Receiver Battery
Revo 3.3	2075 (9kg/cm - 0.17s) PG (2)	2072X	2075X (9kg/cm - 0.17s) MG	2250 (23.8kg/cm - 0.19s) MG*	SAV-SW0231MG (15kg/cm - 0.17s) MG*	SAV-SW1210SG (20kg/cm - 0.15s) SG*	*Use with 5-cell NiMH Receiver Battery
1/16 Slash 4x4	2080 (3kg/cm - 0.11s) PG	–	2080X (3kg/cm - 0.11s) MG	–	SAV-SW0250MG (5kg/cm - 0.11s) MG	–	
1/16 E-Revo 4x4 XL3/VXL	2080 (3kg/cm - 0.11s) PG	–	2080X (3kg/cm - 0.11s) MG	–	SAV-SW0250MG (5kg/cm - 0.11s) MG	–	
1/16 Summit	2080 (3kg/cm - 0.11s) PG	–	2080X (3kg/cm - 0.11s) MG	–	SAV-SW0250MG (5kg/cm - 0.11s) MG	–	
1/18 Teton (LaTrax)	2065 (2.3kg/cm - 0.20s) PG	–	2065X (2.3kg/cm - 0.20s) MG	–	SAV-SH0257MG (2.2kg/cm - 0.09s) MG	–	
1/18 Rally (LaTrax)	2065 (2.3kg/cm - 0.20s) PG	–	2065X (2.3kg/cm - 0.20s) MG	–	SAV-SH0257MG (2.2kg/cm - 0.09s) MG	–	
1/18 Prerunner/SST (LaTrax)	2065 (2.3kg/cm - 0.20s) PG	–	2065X (2.3kg/cm - 0.20s) MG	–	SAV-SH0257MG (2.2kg/cm - 0.09s) MG	–	



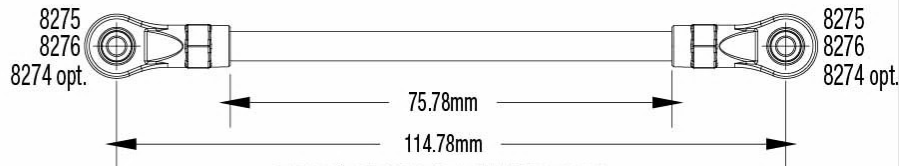
# Body Assembly



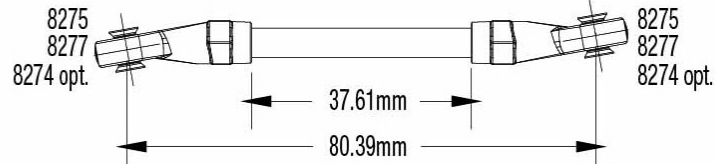
See Parts List for a complete listing of optional accessories.

Specifications on this page are subject to change without notice. Every attempt has been made to ensure the accuracy of this drawing; however, Traxxas cannot be held responsible for typographical or other errors.

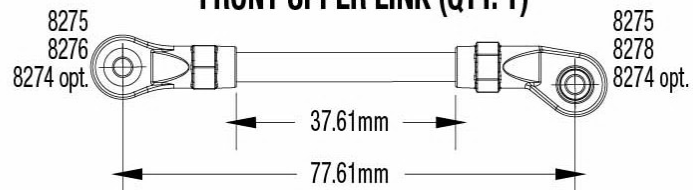
## Link Dimensions



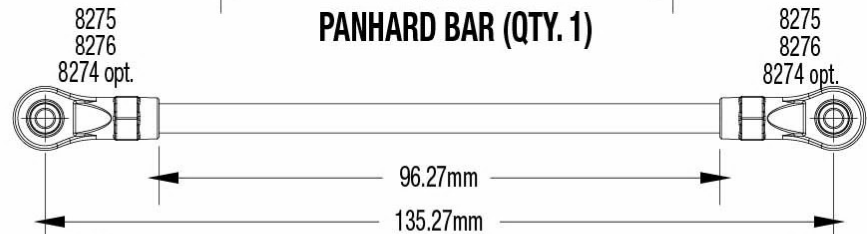
**FRONT LOWER LINK (QTY. 2)**



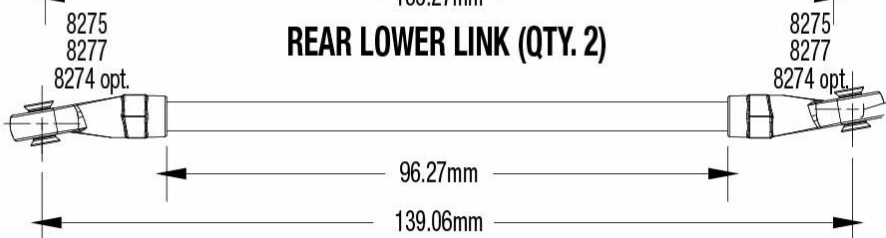
**FRONT UPPER LINK (QTY. 1)**



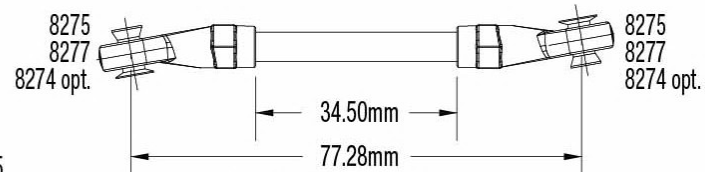
**PANHARD BAR (QTY. 1)**



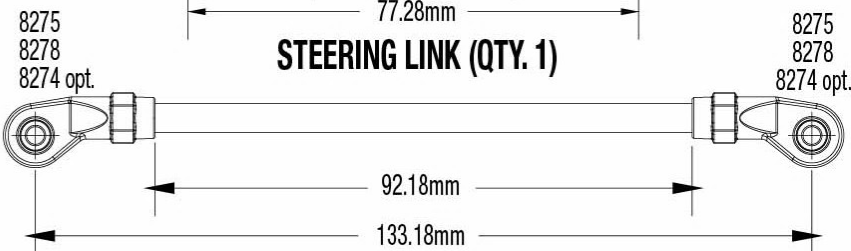
**REAR LOWER LINK (QTY. 2)**



**REAR UPPER LINK (QTY. 2)**



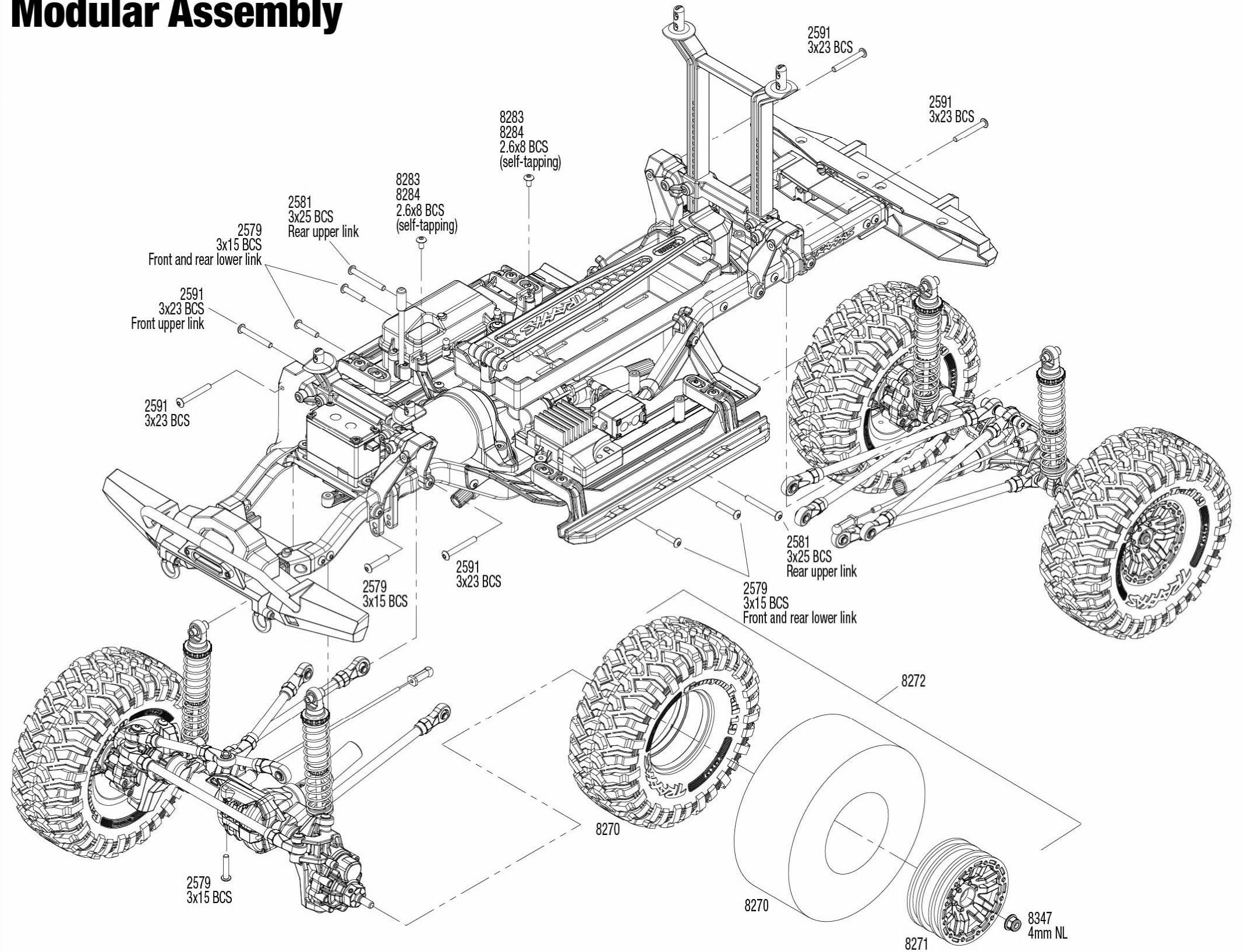
**STEERING LINK (QTY. 1)**



**DRAG LINK (QTY. 1)**



## Modular Assembly



See Parts List for a complete listing of optional accessories.

Specifications on this page are subject to change without notice. Every attempt has been made to ensure the accuracy of this drawing; however, Traxxas cannot be held responsible for typographical or other errors.