

4.0NL
3647
1747R opt.
1747G opt.
1747P opt.

3771
3771A opt.
3776A opt.
5576R opt.

2745
3.0NL

3139
62mm
3139A opt.
3139X opt.
3745 opt.

1834

3x10WST

2362

F-2458A
2458P opt.
R-3757X
3757P opt.

8361
8361

1765
E
3768
E
Limiter,
Rear only
F-1664
1664T opt.
R-2656
2656T opt.

2362
3767
3768
1942
2742X
2649
3x12CST
3769
F-3765A
R-3766A
3768

Use #1666 silicone
shock oil

1985
5x8x0.5TW

3736
3636X opt.
3636A opt.
3636G opt.
3636P opt.

2593
3x14 BCS

3642
3x12x5SS

3760A
2660 opt.

3288
3x15WST

3642
3x12x5SS

3186
3x12WM

2742

2537 28mm
Threaded rod

3187
3x15WM

2742

2745
3.0NL

2675
3x10RST

3744

2056
2075 opt.

3290
3x8WST

3743
3x8WST

3743A opt.
3743G opt.
3743P opt.
3743X opt.
6845X opt.

1985
5x8x0.5TW

2545
5x8x2.5PB
5114 opt.

3743
3743A opt.
3743G opt.
3743P opt.
3743X opt.
6845X opt.

2545
5x8x2.5PB
5114 opt.

2545
5x8x2.5PB
5114 opt.

2746
3x6MW

3742
3x30
SS

3742
3x30
SS

2548
4x12CM

3742
3x30
SS

3186
3x12WM

2742

3139
62mm
3139A opt.
3139X opt.
3745 opt.

3186
3x12WM

2742

2548
4x12CM

3186
3x12WM

2742

2548
4x12CM

3186
3x12WM

2742

1675
5x11x40B
5116 opt.

3186
3x12WM

3632
3632A opt.
3632X opt.
3632G opt.
3632P opt.

3740
31.5mm

3739
24mm

2563
3x15RM

2735
2735P

2548
4x12CM

3654

3739
40mm

2563

3186
3x12WM

2742

1675
5x11x40B
5116 opt.

1985
5x8x0.5TW

3742
3x30
SS

2548
4x12CM

3186
3x12WM

2742

3139
62mm
3139A opt.
3139X opt.
3745 opt.

3186
3x12WM

2742

2548
4x12CM

3186
3x12WM

2742

2548
4x12CM

3631
3631A opt.
3631G opt.
3631L opt.
3631R opt.
3631T opt.
3631X opt.

3631
3631A opt.
3631G opt.
3631L opt.
3631R opt.
3631T opt.
3631X opt.

3631
3631A opt.
3631G opt.
3631L opt.
3631R opt.
3631T opt.
3631X opt.

3631
3631A opt.
3631G opt.
3631L opt.
3631R opt.
3631T opt.
3631X opt.

3631
3631A opt.
3631G opt.
3631L opt.
3631R opt.
3631T opt.
3631X opt.

3631
3631A opt.
3631G opt.
3631L opt.
3631R opt.
3631T opt.
3631X opt.

3631
3631A opt.
3631G opt.
3631L opt.
3631R opt.
3631T opt.
3631X opt.

3631
3631A opt.
3631G opt.
3631L opt.
3631R opt.
3631T opt.
3631X opt.

3631
3631A opt.
3631G opt.
3631L opt.
3631R opt.
3631T opt.
3631X opt.

3631
3631A opt.
3631G opt.
3631L opt.
3631R opt.
3631T opt.
3631X opt.

3631
3631A opt.
3631G opt.
3631L opt.
3631R opt.
3631T opt.
3631X opt.

3631
3631A opt.
3631G opt.
3631L opt.
3631R opt.
3631T opt.
3631X opt.

3631
3631A opt.
3631G opt.
3631L opt.
3631R opt.
3631T opt.
3631X opt.

3631
3631A opt.
3631G opt.
3631L opt.
3631R opt.
3631T opt.
3631X opt.

3631
3631A opt.
3631G opt.
3631L opt.
3631R opt.
3631T opt.
3631X opt.

3631
3631A opt.
3631G opt.
3631L opt.
3631R opt.
3631T opt.
3631X opt.

3631
3631A opt.
3631G opt.
3631L opt.
3631R opt.
3631T opt.
3631X opt.

3631
3631A opt.
3631G opt.
3631L opt.
3631R opt.
3631T opt.
3631X opt.

3631
3631A opt.
3631G opt.
3631L opt.
3631R opt.
3631T opt.
3631X opt.

3631
3631A opt.
3631G opt.
3631L opt.
3631R opt.
3631T opt.
3631X opt.

3631
3631A opt.
3631G opt.
3631L opt.
3631R opt.
3631T opt.
3631X opt.

3631
3631A opt.
3631G opt.
3631L opt.
3631R opt.
3631T opt.
3631X opt.

3631
3631A opt.
3631G opt.
3631L opt.
3631R opt.
3631T opt.
3631X opt.

3631
3631A opt.
3631G opt.
3631L opt.
3631R opt.
3631T opt.
3631X opt.

3631
3631A opt.
3631G opt.
3631L opt.
3631R opt.
3631T opt.
3631X opt.

3631
3631A opt.
3631G opt.
3631L opt.
3631R opt.
3631T opt.
3631X opt.

3631
3631A opt.
3631G opt.
3631L opt.
3631R opt.
3631T opt.
3631X opt.

3631
3631A opt.
3631G opt.
3631L opt.
3631R opt.
3631T opt.
3631X opt.

3631
3631A opt.
3631G opt.
3631L opt.
3631R opt.
3631T opt.
3631X opt.

3631
3631A opt.
3631G opt.
3631L opt.
3631R opt.
3631T opt.
3631X opt.

3631
3631A opt.
3631G opt.
3631L opt.
3631R opt.
3631T opt.
3631X opt.

3631
3631A opt.
3631G opt.
3631L opt.
3631R opt.
3631T opt.
3631X opt.

3631
3631A opt.
3631G opt.
3631L opt.
3631R opt.
3631T opt.
3631X opt.

3631
3631A opt.
3631G opt.
3631L opt.
3631R opt.
3631T opt.
3631X opt.

3631
3631A opt.
3631G opt.
3631L opt.
3631R opt.
3631T opt.
3631X opt.

3631
3631A opt.
3631G opt.
3631L opt.
3631R opt.
3631T opt.
3631X opt.

3631
3631A opt.
3631G opt.
3631L opt.
3631R opt.
3631T opt.
3631X opt.

3631
3631A opt.
3631G opt.
3631L opt.
3631R opt.
3631T opt.
3631X opt.

3631
3631A opt.
3631G opt.
3631L opt.
3631R opt.
3631T opt.
3631X opt.

3631
3631A opt.
3631G opt.
3631L opt.
3631R opt.
3631T opt.
3631X opt.

3631
3631A opt.
3631G opt.
3631L opt.
3631R opt.
3631T opt.
3631X opt.

3631
3631A opt.
3631G opt.
3631L opt.
3631R opt.
3631T opt.
3631X opt.

3631
3631A opt.
3631G opt.
3631L opt.
3631R opt.
3631T opt.
3631X opt.

3631
3631A opt.
3631G opt.
3631L opt.
3631R opt.
3631T opt.
3631X opt.

3631
3631A opt.
3631G opt.
3631L opt.
3631R opt.
3631T opt.
3631X opt.

3631
3631A opt.
3631G opt.
3631L opt.
3631R opt.
3631T opt.
3631X opt.

3631
3631A opt.
3631G opt.
3631L opt.
3631R opt.
3631T opt.
3631X opt.

4.0NL
3647
1747R opt.
1747G opt.
1747P opt.

See Parts List for a complete
listing of optional accessories.

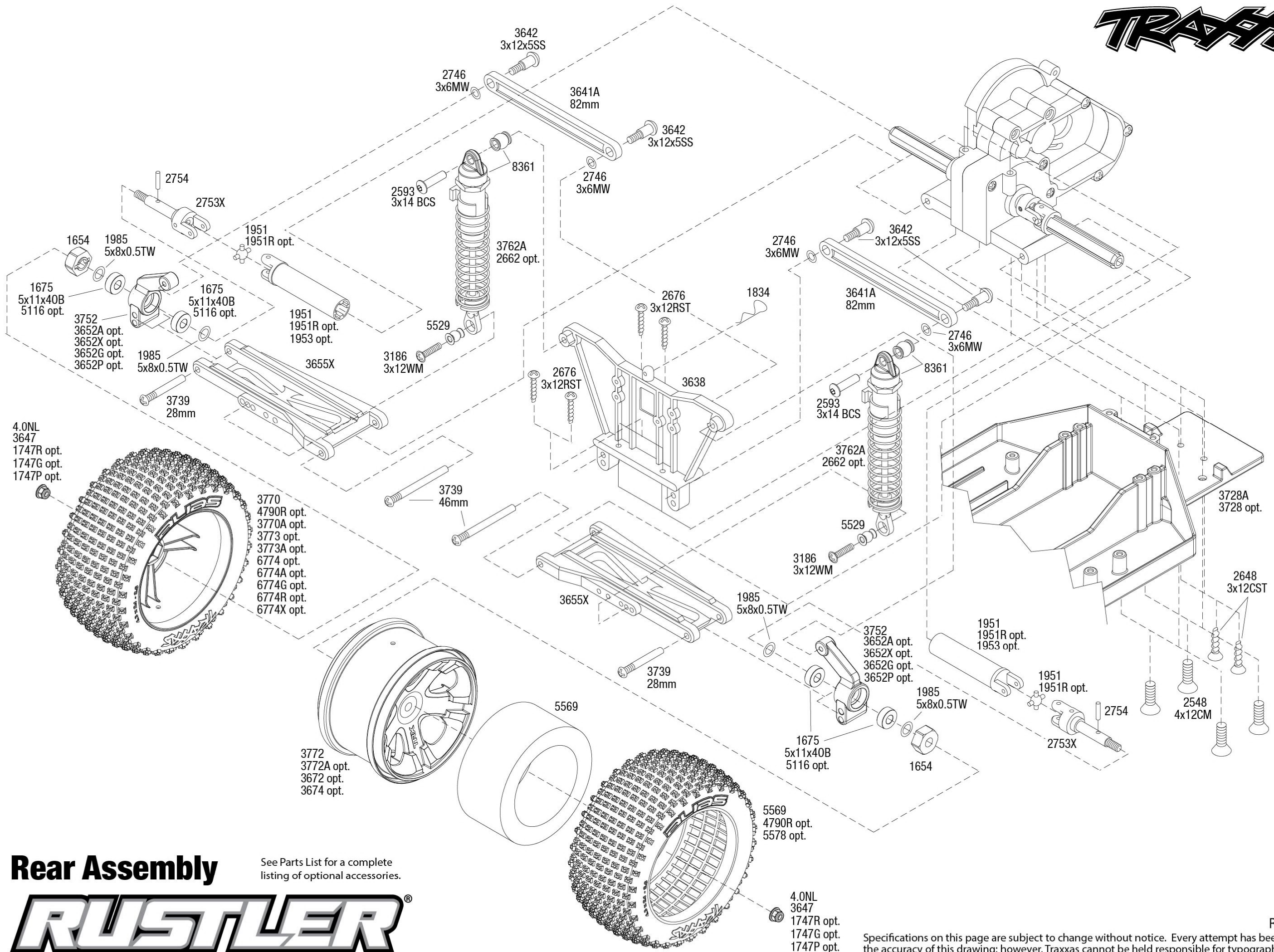
REV 230706-R00



Specifications on this page are subject to change without notice. Every attempt has been made to ensure the accuracy of this drawing; however, Traxxas cannot be held responsible for typographical or other errors.

Front Assembly





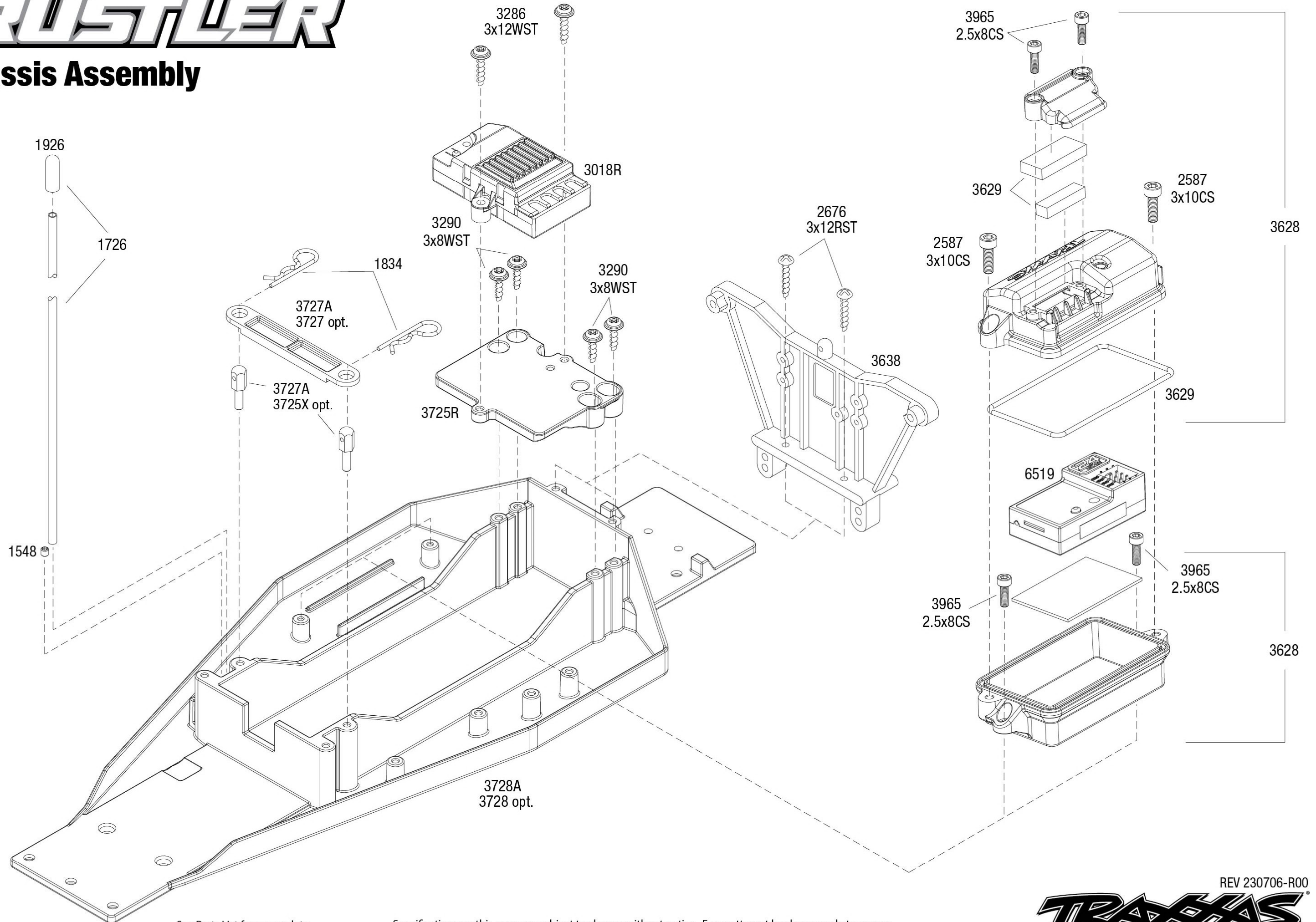
Rear Assembly

See Parts List for a complete listing of optional accessories.



RUSTLER®

Chassis Assembly



See Parts List for a complete listing of optional accessories.

Specifications on this page are subject to change without notice. Every attempt has been made to ensure the accuracy of this drawing; however, Traxxas cannot be held responsible for typographical or other errors.

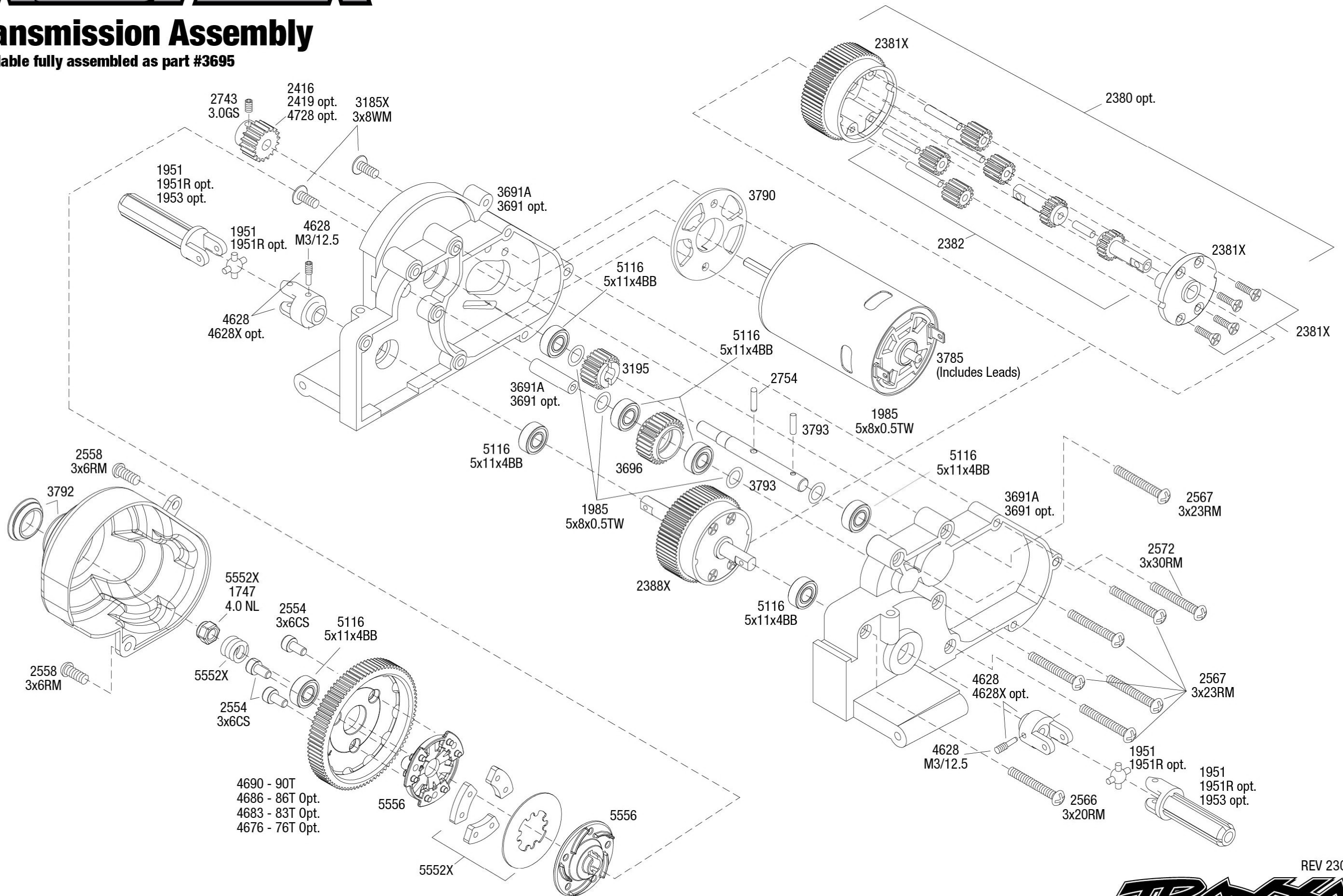
REV 230706-R00

TRAXXAS®

RUSTLER®

Transmission Assembly

Available fully assembled as part #3695



See Parts List for a complete listing of optional accessories.

Specifications on this page are subject to change without notice. Every attempt has been made to ensure the accuracy of this drawing; however, Traxxas cannot be held responsible for typographical or other errors.

REV 230706-R00
TRAXXAS