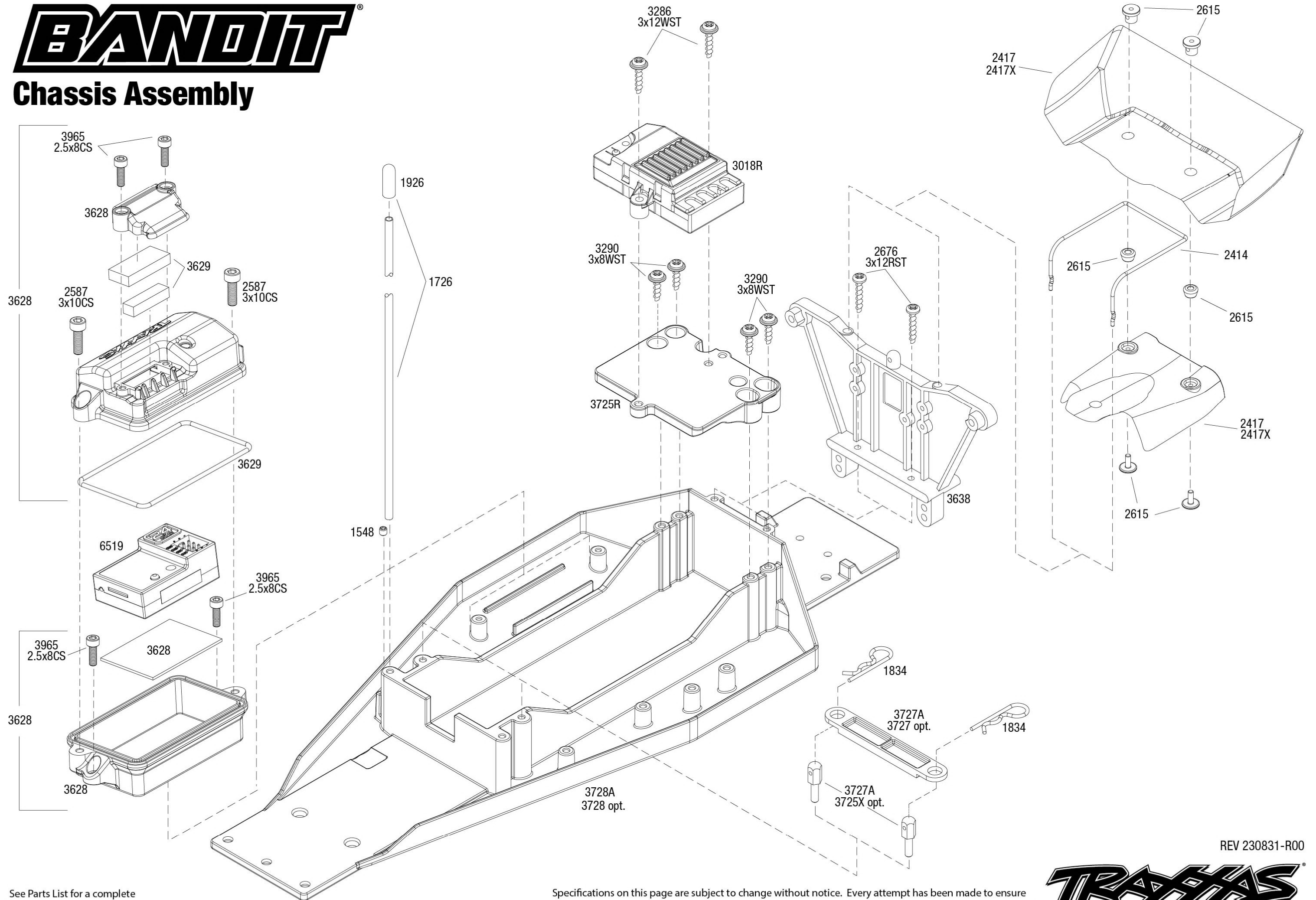


# BANDIT<sup>®</sup>

## Chassis Assembly



See Parts List for a complete listing of optional accessories.

Specifications on this page are subject to change without notice. Every attempt has been made to ensure the accuracy of this drawing; however, Traxxas cannot be held responsible for typographical or other errors.

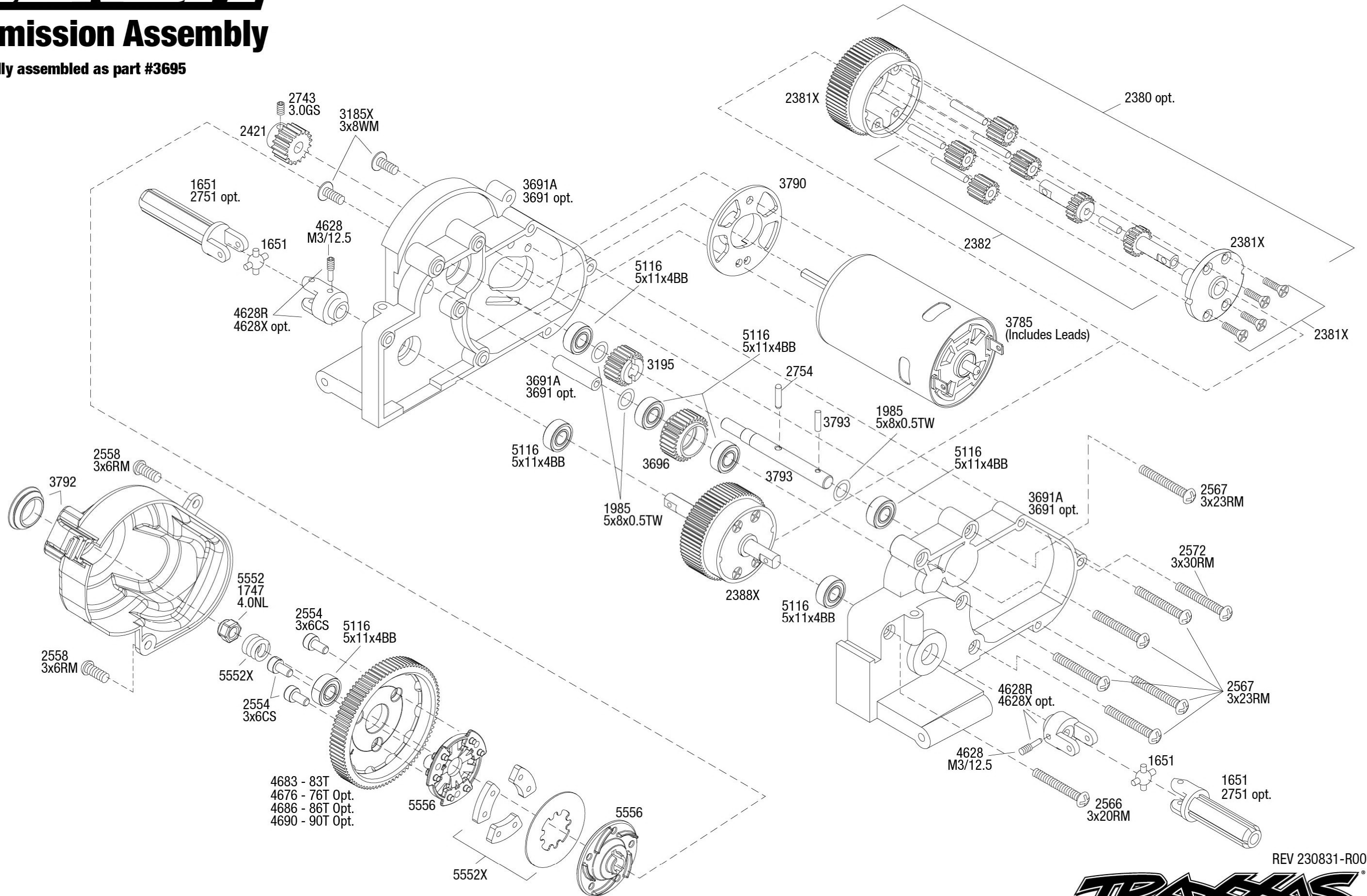
REV 230831-R00

# TRAXXAS<sup>®</sup>

# BANDIT<sup>®</sup>

## Transmission Assembly

Available fully assembled as part #3695



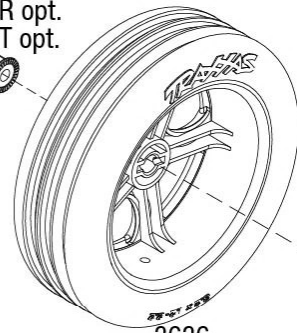
REV 230831-R00



See Parts List for a complete listing of optional accessories.

Specifications on this page are subject to change without notice. Every attempt has been made to ensure the accuracy of this drawing; however, Traxxas cannot be held responsible for typographical or other errors.

4.0NL  
3647  
1747A opt.  
1747G opt.  
1747P opt.  
1747R opt.  
1747T opt.



2471R  
2479R opt.  
2479A opt.

1985  
5x8x0.5TW

3636  
3636A opt.  
3636X opt.  
3636G opt.  
3636P opt.  
3636T opt.

2.5x31.5

2593  
3x14 BCS

8361

3760A  
2660 opt.

2742

3642  
3x12x5SS

2441A  
2441  
67MM

2746

3642  
3x12x5SS

3288  
3x15WST

2593  
3x14 BCS

8361

3186  
3x12WM

2537  
28mm  
Threaded  
Rod

3187  
3x15WM

2742

3290  
3x8WST

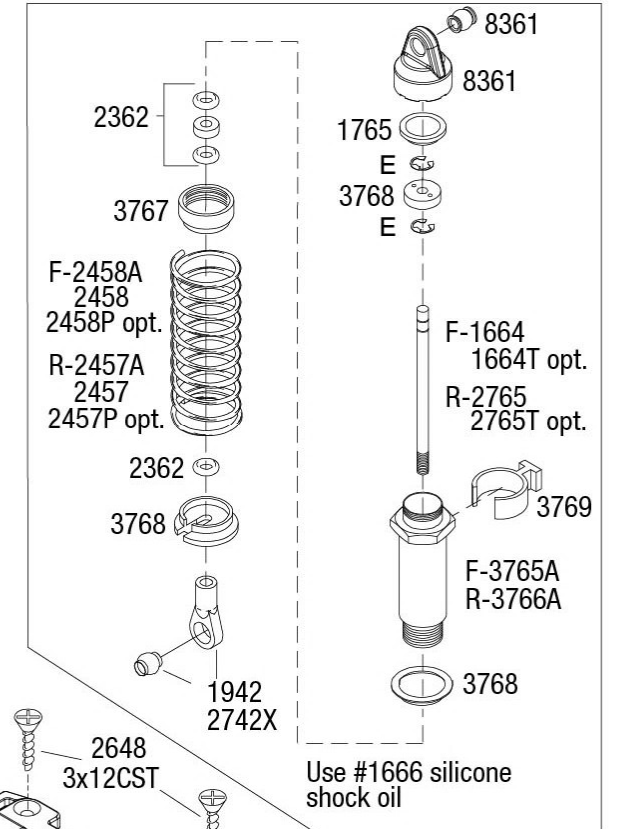
2745  
3.0NL

2675  
3x10RST

3744

2056  
2075 opt.

3290  
3x8WST



Use #1666 silicone shock oil

2531X  
2531A opt.  
2531G opt.

2531L opt.  
2531R opt.  
2531T opt.

3639

3288  
3x15WST

3642  
3x12x5SS

3760A  
2660 opt.

2742

3186  
3x12WM

1985  
5x8x0.5TW

3743  
3743A opt.  
3743G opt.  
3743P opt.  
3743T opt.  
3743X opt.

3775  
5x8x2.50B  
5114 opt.

3636  
3636A opt.  
3636X opt.  
3636G opt.  
3636P opt.  
3636T opt.

2746  
3x6MW

2545  
5x8x2.5PB  
5114 opt.

3743

3729A  
3729 opt.

2648  
3x12CST

2530A  
(Shown for Clarity)

2563  
3x15RM

2637  
31.5MM

2432

2530A  
2530 opt.

3739  
40MM

3739  
40MM

2563  
3x15RM

3186  
3x12WM

2637  
31.5MM

2742

3740  
2.5x31.5

3775  
5x8x2.50B  
2742

1985  
5x8x0.5TW

3186  
3x12WM

2742

2746  
3x6MW

2432

3740  
2.5x31.5

3775  
5x8x2.50B  
2742

1985  
5x8x0.5TW

3186  
3x12WM

2742

2746  
3x6MW

2432

3740  
2.5x31.5

3775  
5x8x2.50B  
2742

1985  
5x8x0.5TW

3186  
3x12WM

2742

2746  
3x6MW

2432

3740  
2.5x31.5

3775  
5x8x2.50B  
2742

1985  
5x8x0.5TW

3186  
3x12WM

2742

2746  
3x6MW

2432

3740  
2.5x31.5

3775  
5x8x2.50B  
2742

1985  
5x8x0.5TW

3186  
3x12WM

2742

2746  
3x6MW

2432

3740  
2.5x31.5

3775  
5x8x2.50B  
2742

1985  
5x8x0.5TW

3186  
3x12WM

2742

2746  
3x6MW

2432

3740  
2.5x31.5

3775  
5x8x2.50B  
2742

1985  
5x8x0.5TW

3186  
3x12WM

2742

2746  
3x6MW

2432

3740  
2.5x31.5

3775  
5x8x2.50B  
2742

1985  
5x8x0.5TW

3186  
3x12WM

2742

2746  
3x6MW

2432

3740  
2.5x31.5

3775  
5x8x2.50B  
2742

1985  
5x8x0.5TW

3186  
3x12WM

2742

2746  
3x6MW

2432

3740  
2.5x31.5

3775  
5x8x2.50B  
2742

1985  
5x8x0.5TW

3186  
3x12WM

2742

2746  
3x6MW

2432

3740  
2.5x31.5

3775  
5x8x2.50B  
2742

1985  
5x8x0.5TW

3186  
3x12WM

2742

2746  
3x6MW

2432

3740  
2.5x31.5

3775  
5x8x2.50B  
2742

1985  
5x8x0.5TW

3186  
3x12WM

2742

2746  
3x6MW

2432

3740  
2.5x31.5

3775  
5x8x2.50B  
2742

1985  
5x8x0.5TW

3186  
3x12WM

2742

2746  
3x6MW

2432

3740  
2.5x31.5

3775  
5x8x2.50B  
2742

1985  
5x8x0.5TW

3186  
3x12WM

2742

2746  
3x6MW

2432

3740  
2.5x31.5

3775  
5x8x2.50B  
2742

1985  
5x8x0.5TW

3186  
3x12WM

2742

2746  
3x6MW

2432

3740  
2.5x31.5

3775  
5x8x2.50B  
2742

1985  
5x8x0.5TW

3186  
3x12WM

2742

2746  
3x6MW

2432

3740  
2.5x31.5

3775  
5x8x2.50B  
2742

1985  
5x8x0.5TW

3186  
3x12WM

2742

2746  
3x6MW

2432

3740  
2.5x31.5

3775  
5x8x2.50B  
2742

1985  
5x8x0.5TW

3186  
3x12WM

2742

2746  
3x6MW

2432

3740  
2.5x31.5

3775  
5x8x2.50B  
2742

1985  
5x8x0.5TW

3186  
3x12WM

2742

2746  
3x6MW

2432

3740  
2.5x31.5

3775  
5x8x2.50B  
2742

1985  
5x8x0.5TW

3186  
3x12WM

2742

2746  
3x6MW

2432

3740  
2.5x31.5

3775  
5x8x2.50B  
2742

1985  
5x8x0.5TW

3186  
3x12WM

2742

2746  
3x6MW

2432

3740  
2.5x31.5

3775  
5x8x2.50B  
2742

1985  
5x8x0.5TW

3186  
3x12WM

2742

2746  
3x6MW

2432

3740  
2.5x31.5

3775  
5x8x2.50B  
2742

1985  
5x8x0.5TW

3186  
3x12WM

2742

2746  
3x6MW

2432

3740  
2.5x31.5

3775  
5x8x2.50B  
2742

1985  
5x8x0.5TW

3186  
3x12WM

2742

2746  
3x6MW

2432

3740  
2.5x31.5

3775  
5x8x2.50B  
2742

1985  
5x8x0.5TW

3186  
3x12WM

2742

2746  
3x6MW

2432

3740  
2.5x31.5

3775  
5x8x2.50B  
2742

1985  
5x8x0.5TW

3186  
3x12WM

2742

2746  
3x6MW

2432

3740  
2.5x31.5

3775  
5x8x2.50B  
2742

1985  
5x8x0.5TW

3186  
3x12WM

2742

2746  
3x6MW

2432

3740  
2.5x31.5

3775  
5x8x2.50B  
2742

1985  
5x8x0.5TW

3186  
3x12WM

2742

2746  
3x6MW