

**RUSTLER 4x4vxl**  
BRUSHLESS  
**Rear Assembly**

See Parts List for a complete listing of optional accessories.

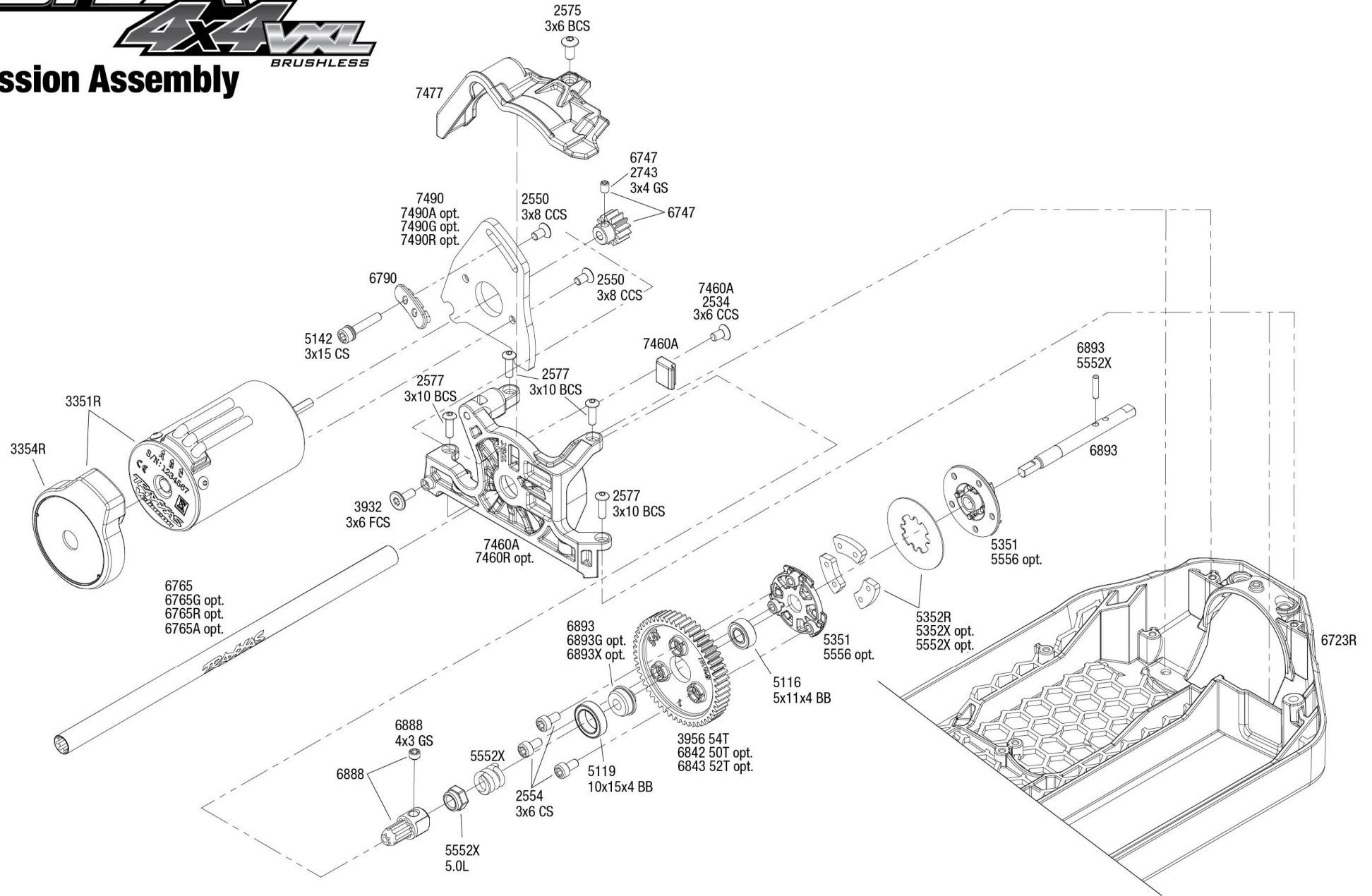
Specifications on this page are subject to change without notice. Every attempt has been made to ensure the accuracy of this drawing; however, Traxxas cannot be held responsible for typographical or other errors.

\*Requires 5117 or 5117A ball bearing for installation.

REV 240129-R02

# RUSTLER 4x4 VXL BRUSHLESS

## Transmission Assembly



See Parts List for a complete listing of optional accessories.

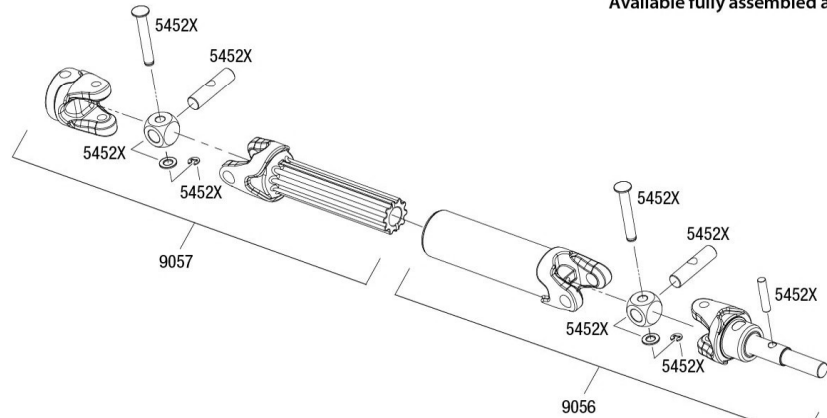
REV 240129-R02  
Specifications on this page are subject to change without notice. Every attempt has been made to ensure the accuracy of this drawing; however, Traxxas cannot be held responsible for typographical or other errors.





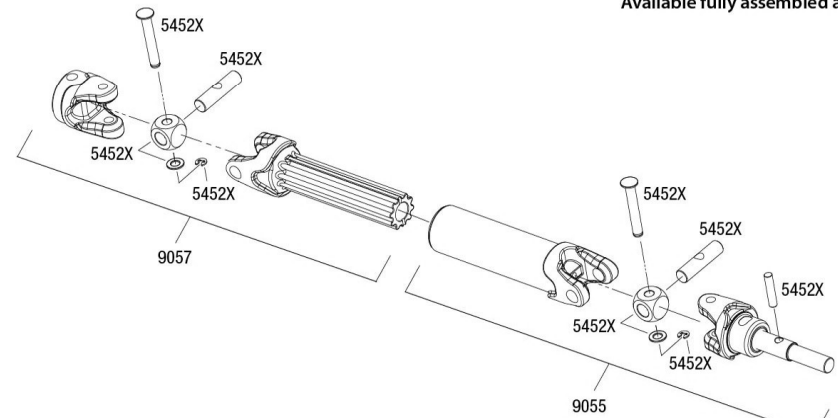
### Front Driveshaft Assembly

Available fully assembled as part #9051

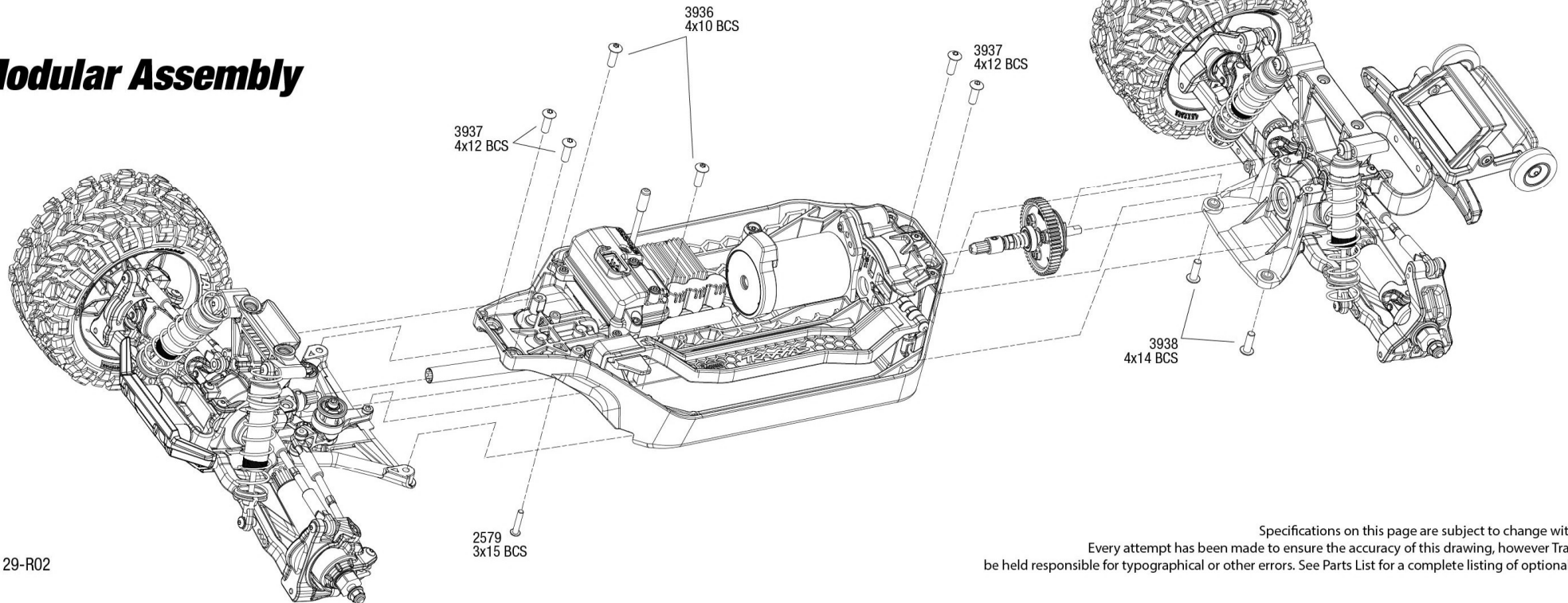


### Rear Driveshaft Assembly

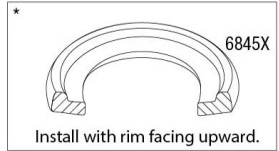
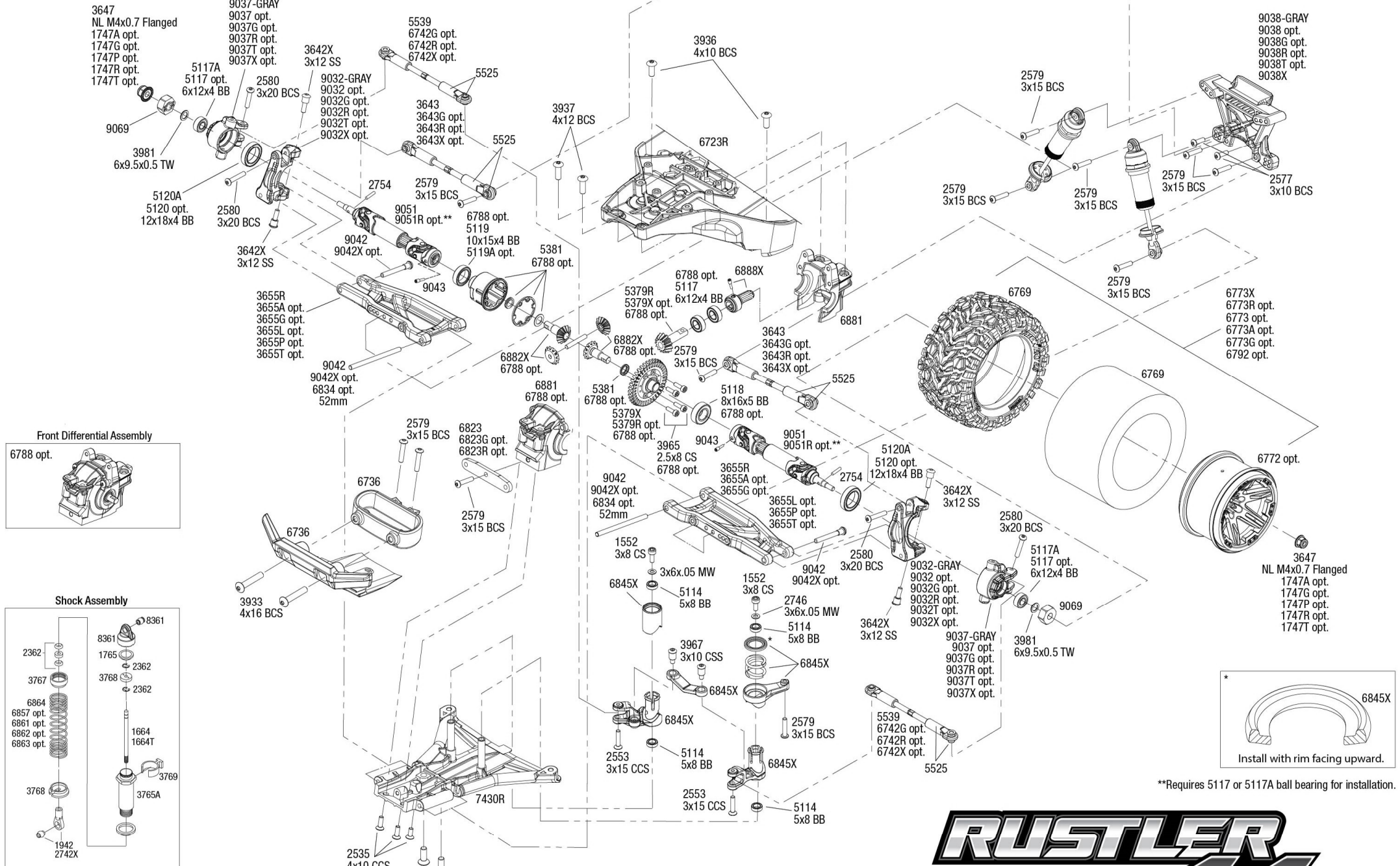
Available fully assembled as part #9052



## Modular Assembly



# TRAXXAS



\*\*Requires 5117 or 5117A ball bearing for installation.

REV 240129-R02  
See Parts List for a complete listing of optional accessories.

Specifications on this page are subject to change without notice. Every attempt has been made to ensure the accuracy of this drawing; however, Traxxas cannot be held responsible for typographical or other errors.

## RUSTLER 4x4 VXL BRUSHLESS Front Assembly