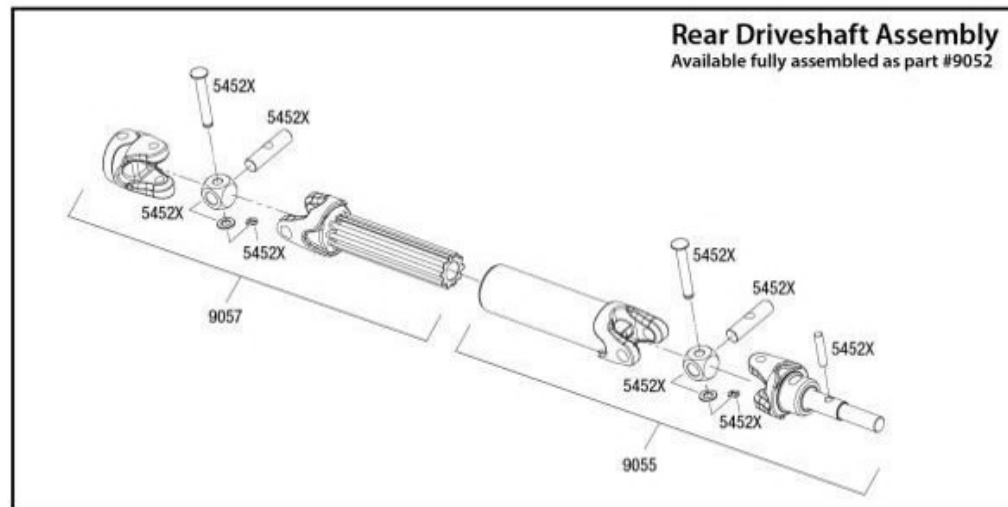
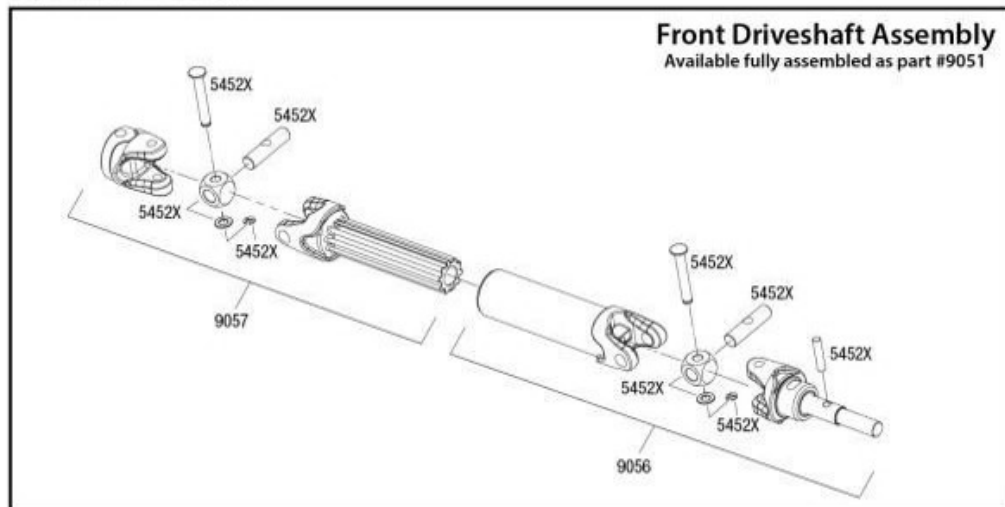
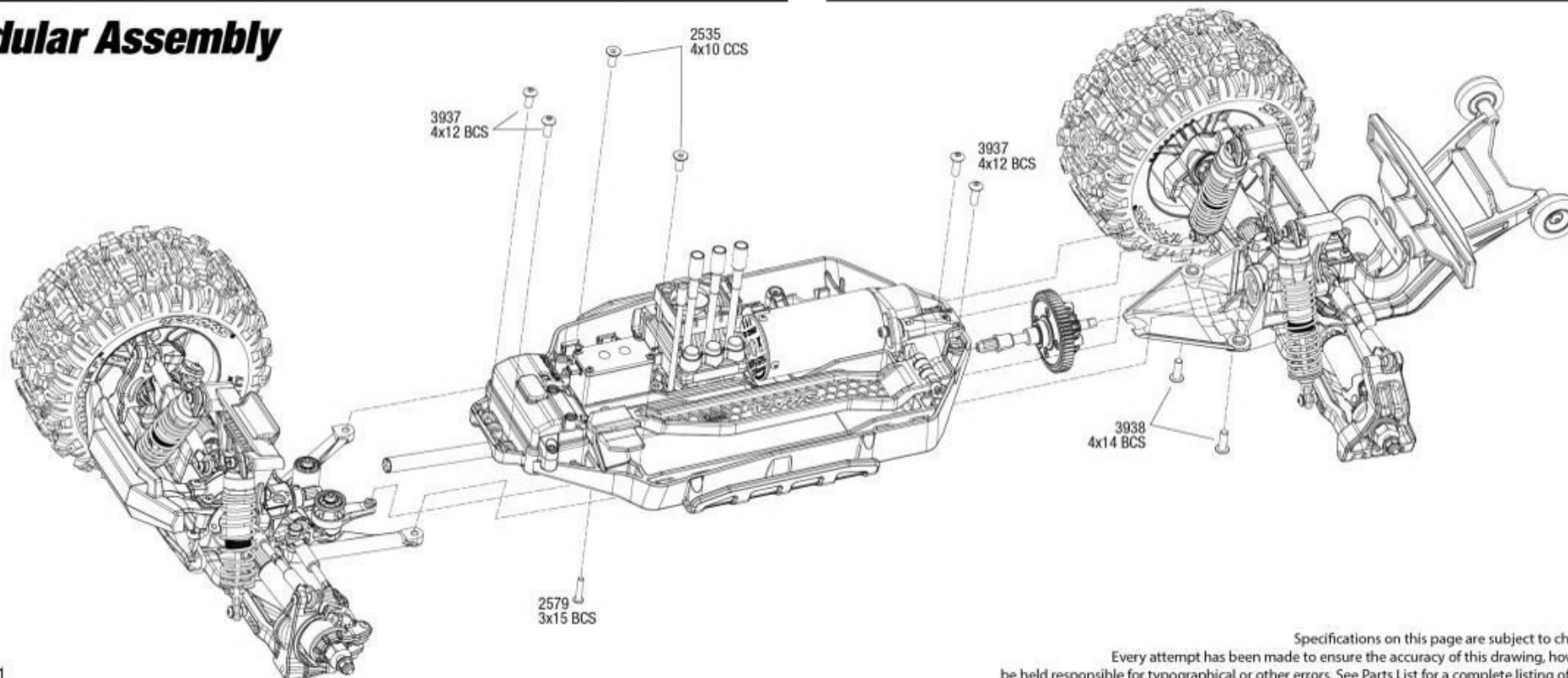


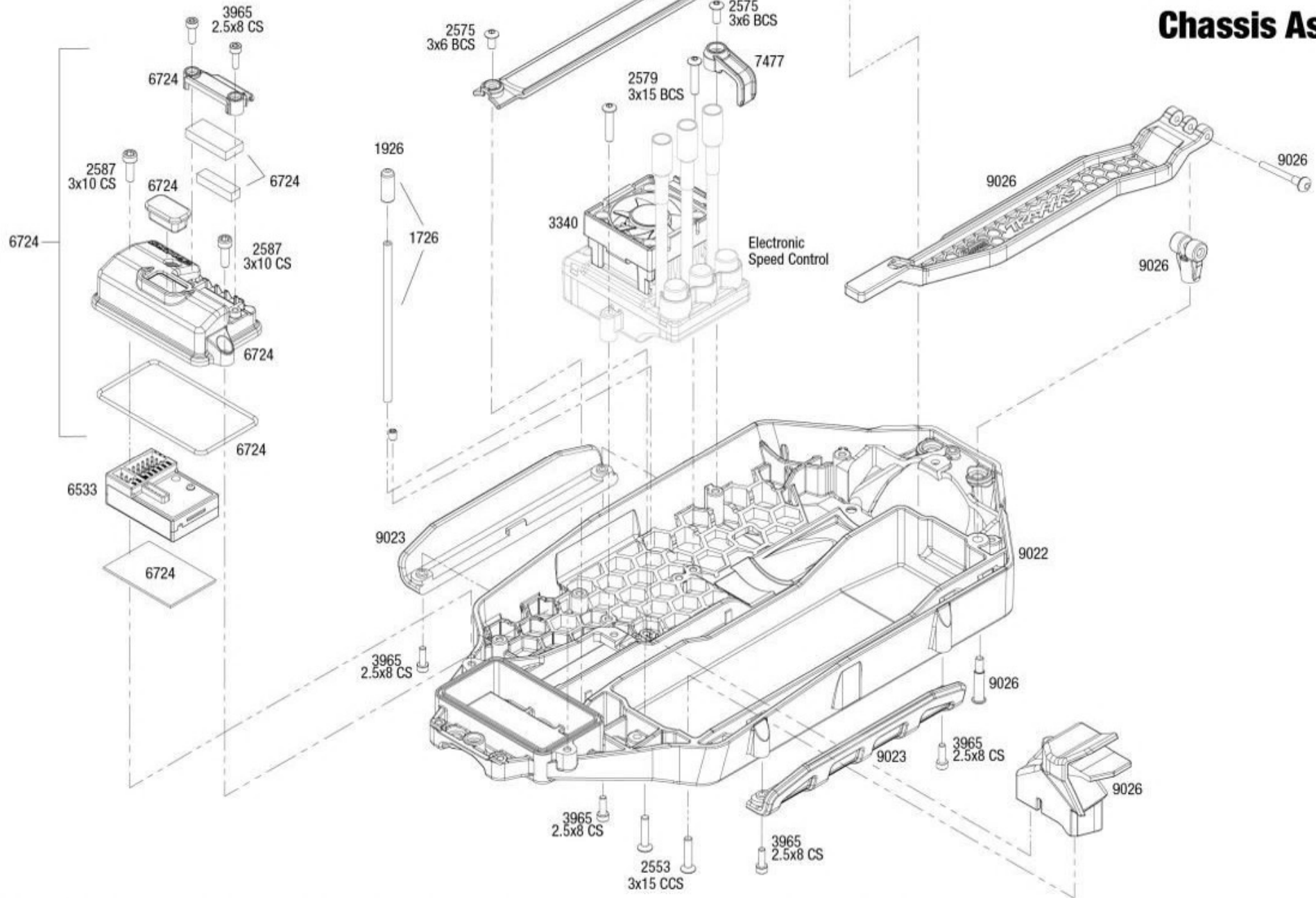
Driveshafts



Modular Assembly



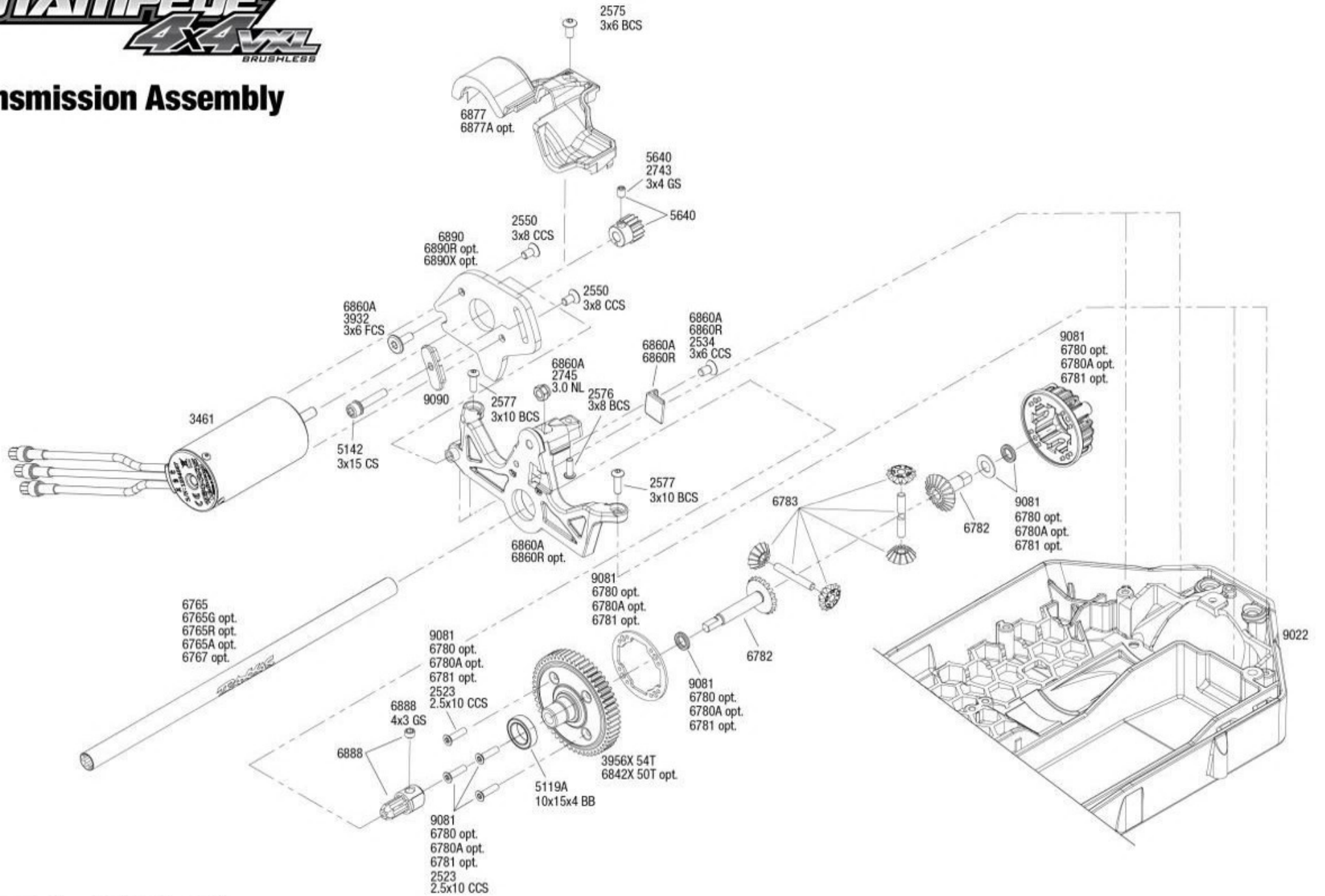
Chassis Assembly



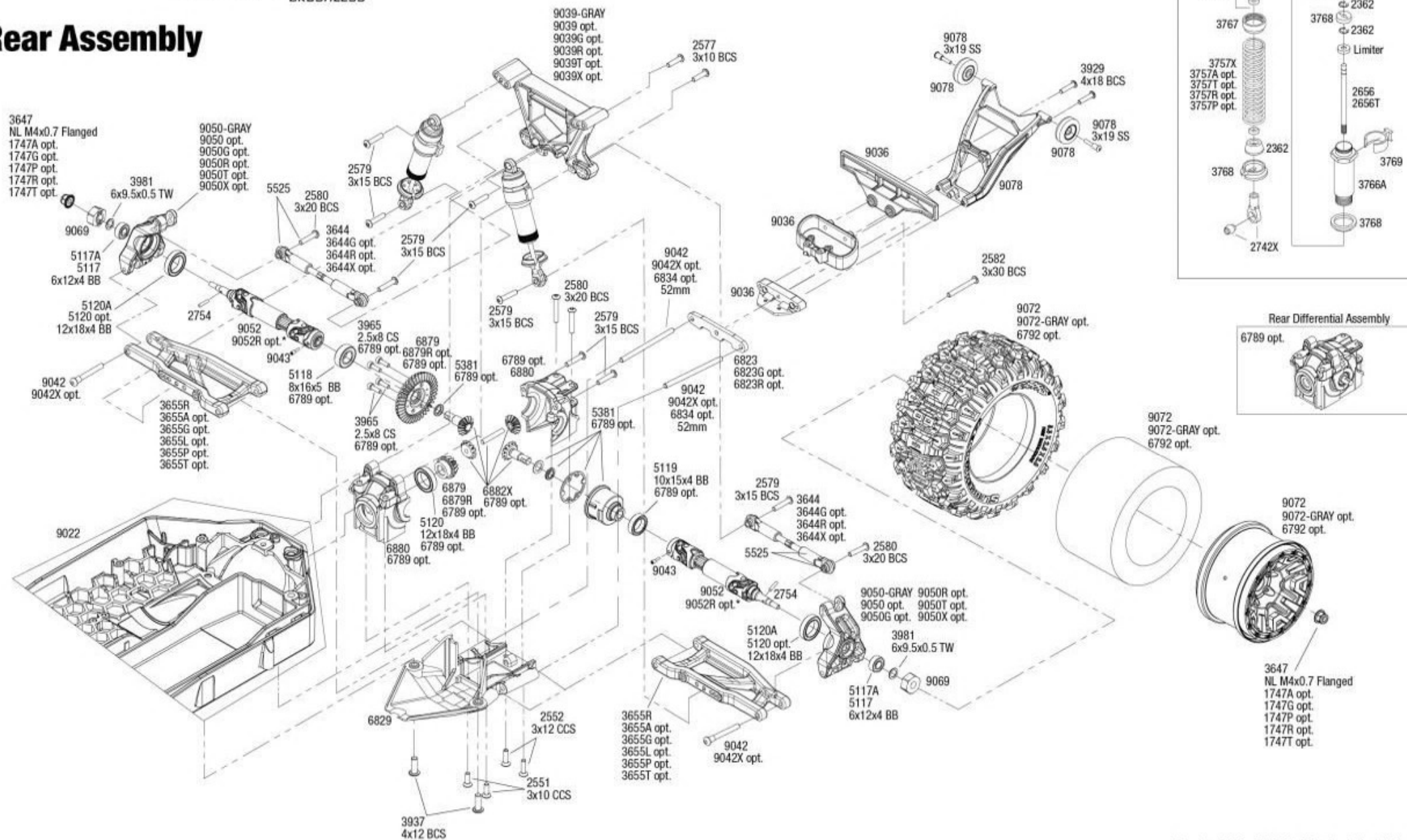
Specifications on this page are subject to change without notice. Every attempt has been made to ensure the accuracy of this drawing; however, Traxxas cannot be held responsible for typographical or other errors.

See Parts List for a complete listing of optional accessories.

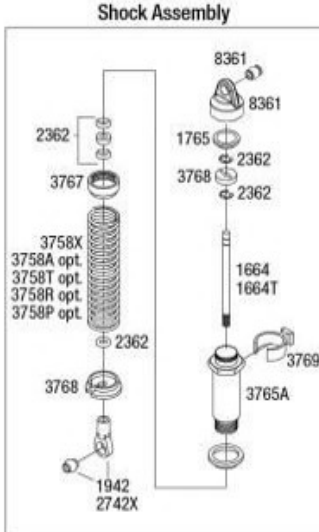
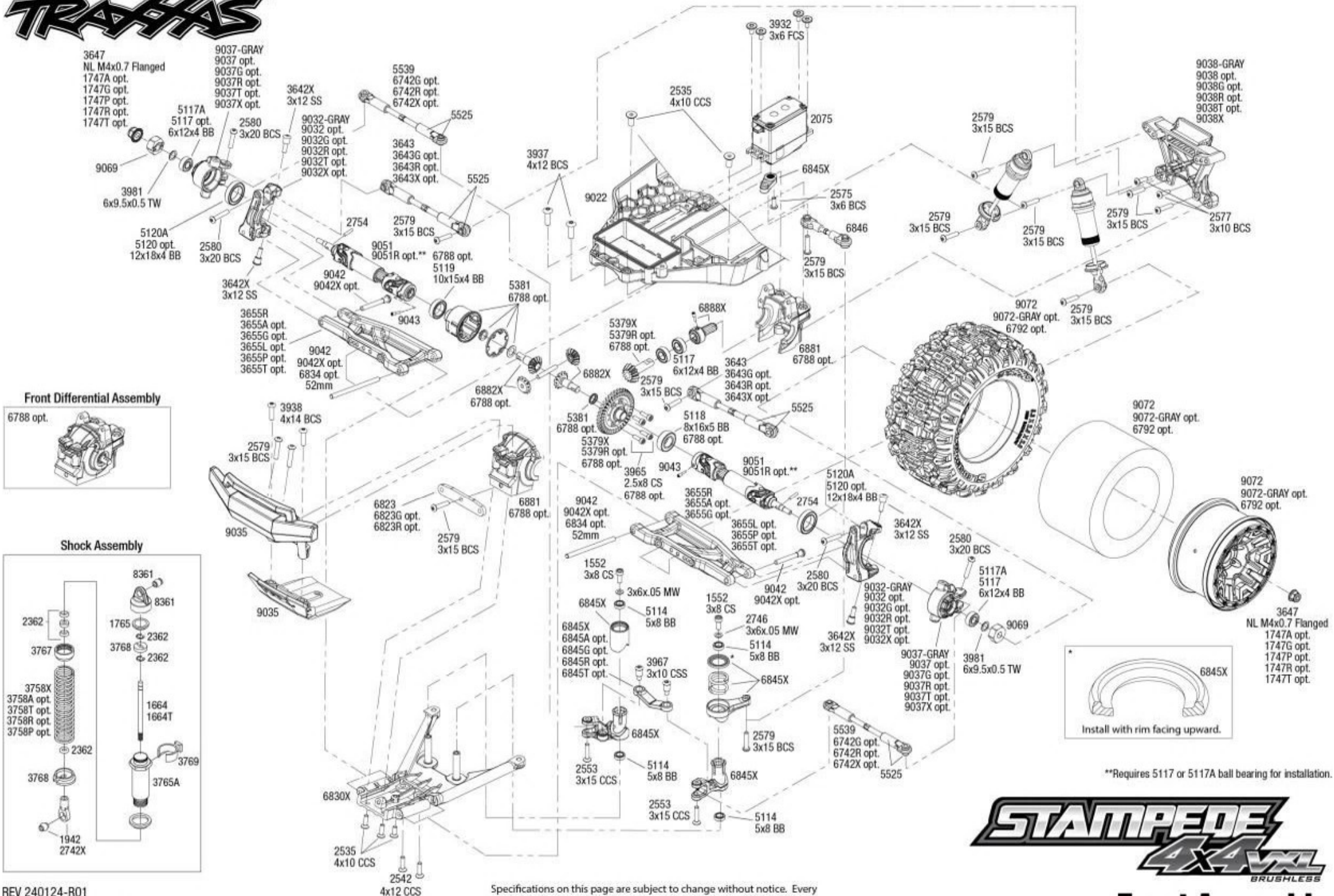
Transmission Assembly



Rear Assembly



*Requires 5117 or 5117A ball bearing for installation.



**Requires 5117 or 5117A ball bearing for installation.