

The voltage (V)	propeller size	current (A)	thrust (G)	power (W)	efficiency (G/W)	speed (RPM)
11.1	APC10*3.8	1	125	11.1	11.3	3130
		2	220	22.2	9.9	4050
		3	302	33.3	9.1	4650
		4	387	44.4	8.7	5110
		5	450	55.5	8.1	5440
		6.6	544	73.3	7.4	5920
	APC11*4.7	1	123	11.1	11.1	2570
		2	230	22.2	10.4	3330
		3	318	33.3	9.5	3820
		4	385	44.4	8.7	4210
		5	460	55.5	8.3	4520
		6	521	66.6	7.8	4760
		7	585	77.7	7.5	5000
		8.5	660	94.4	7	5310
14.8	1147 Carbon fiber Propeller	1	170	14.8	11.5	2950
		2	270	29.6	9.1	3670
		3	370	44.4	8.3	4290
		4	470	59.2	7.9	4760
		5	540	74	7.3	5110
		6	610	88.8	6.9	5450
		7	670	103.6	6.5	5750
		8	750	118.4	6.3	6000
		9	820	133.2	6.2	6240
		10	870	148	5.9	6440
		11	940	162.8	5.8	6630
		12.2	950	181	5.2	6870

# MT2808-660

## Specification

KV:660

MAX Thrust:660G

Length:25MM

NO.OF CELL:3S

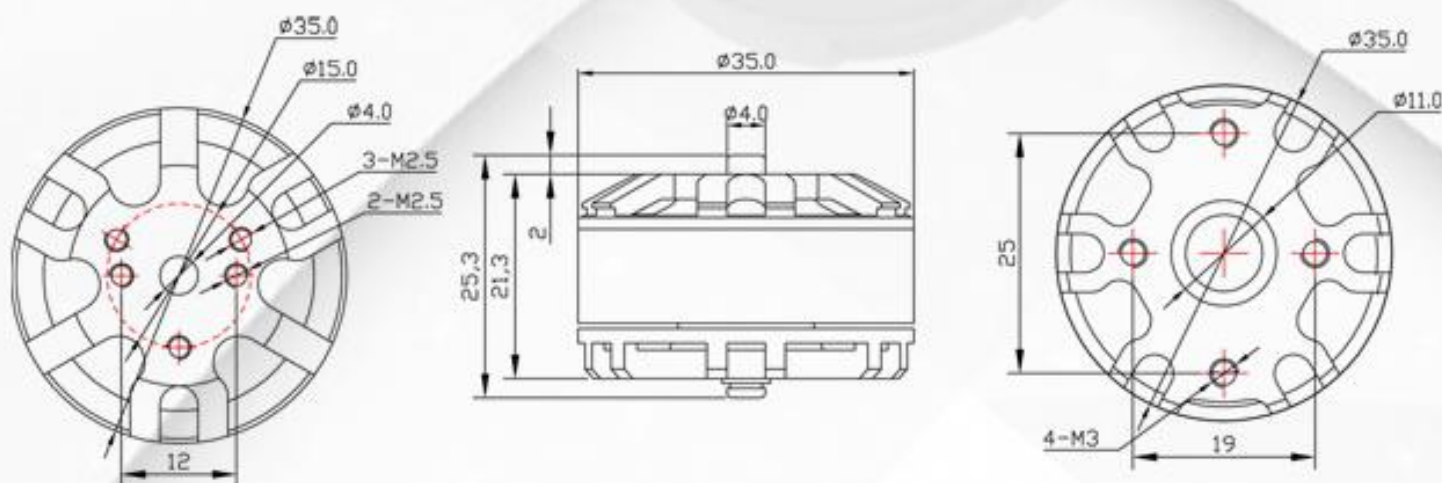
Weight:60G

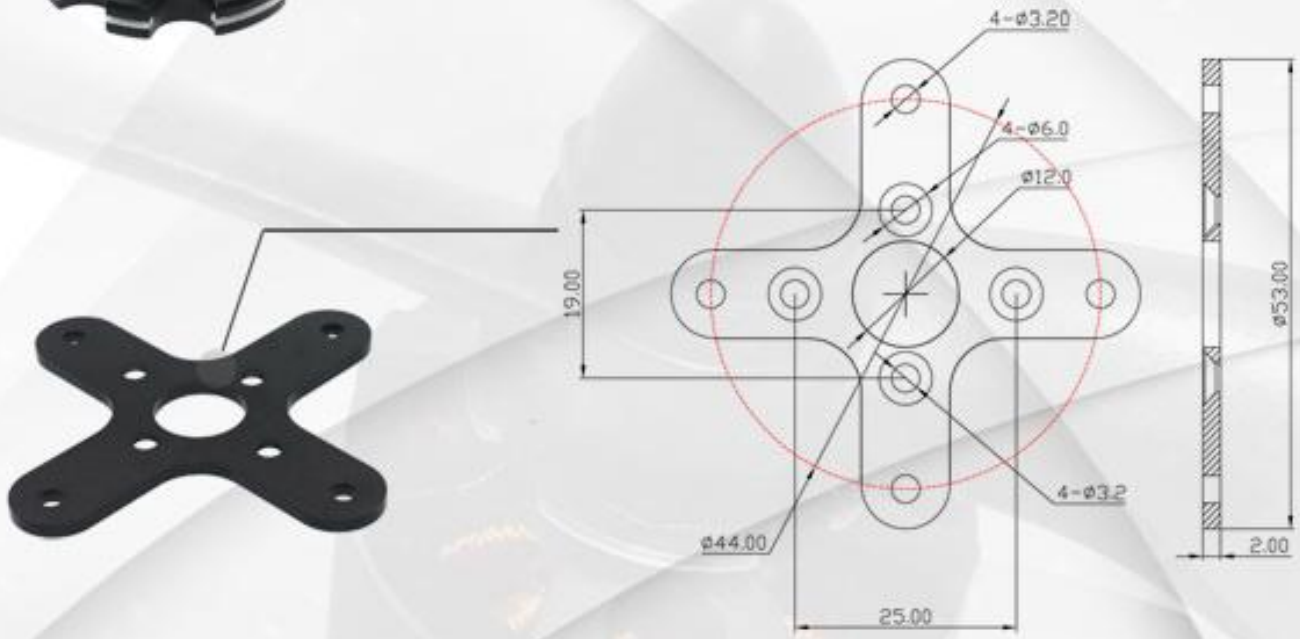
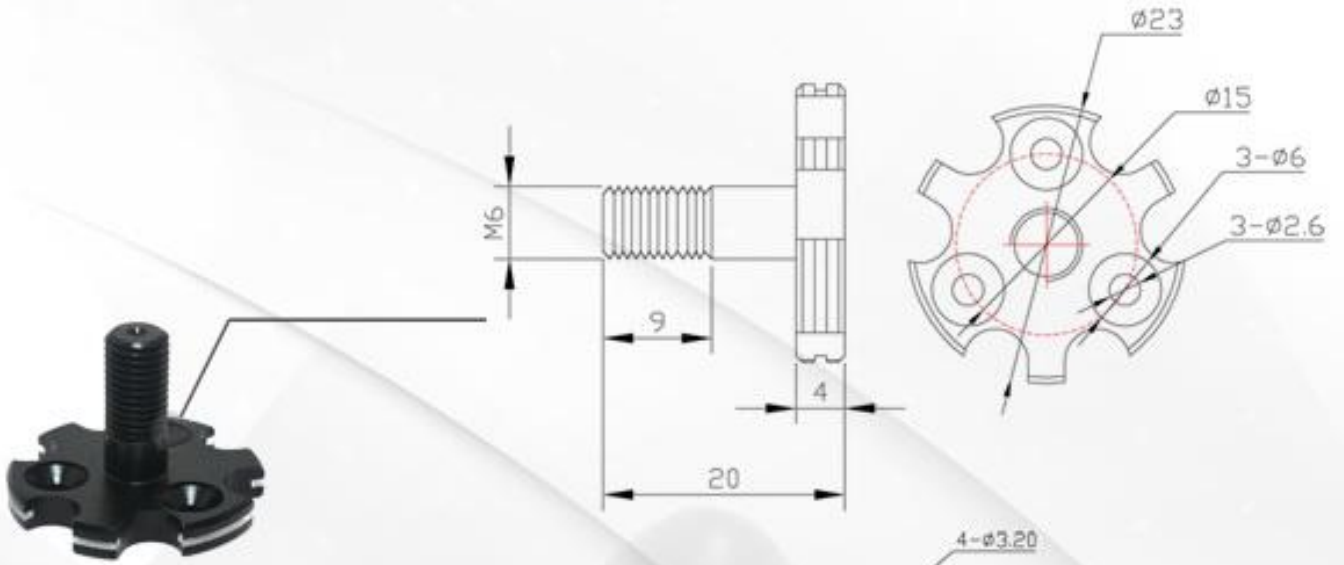
Framework:12N14P

Shaft:4MM

Propeller:APC10-11

Diameter:35MM





# MT2808-660



Low CG design

Light weight design

Longer duration of flight

EMAX family style design



Installation for **general type propeller**



Installation for **three-hole CF propeller**









MT4114-340KV  
Made in CHINA CE ROHS

