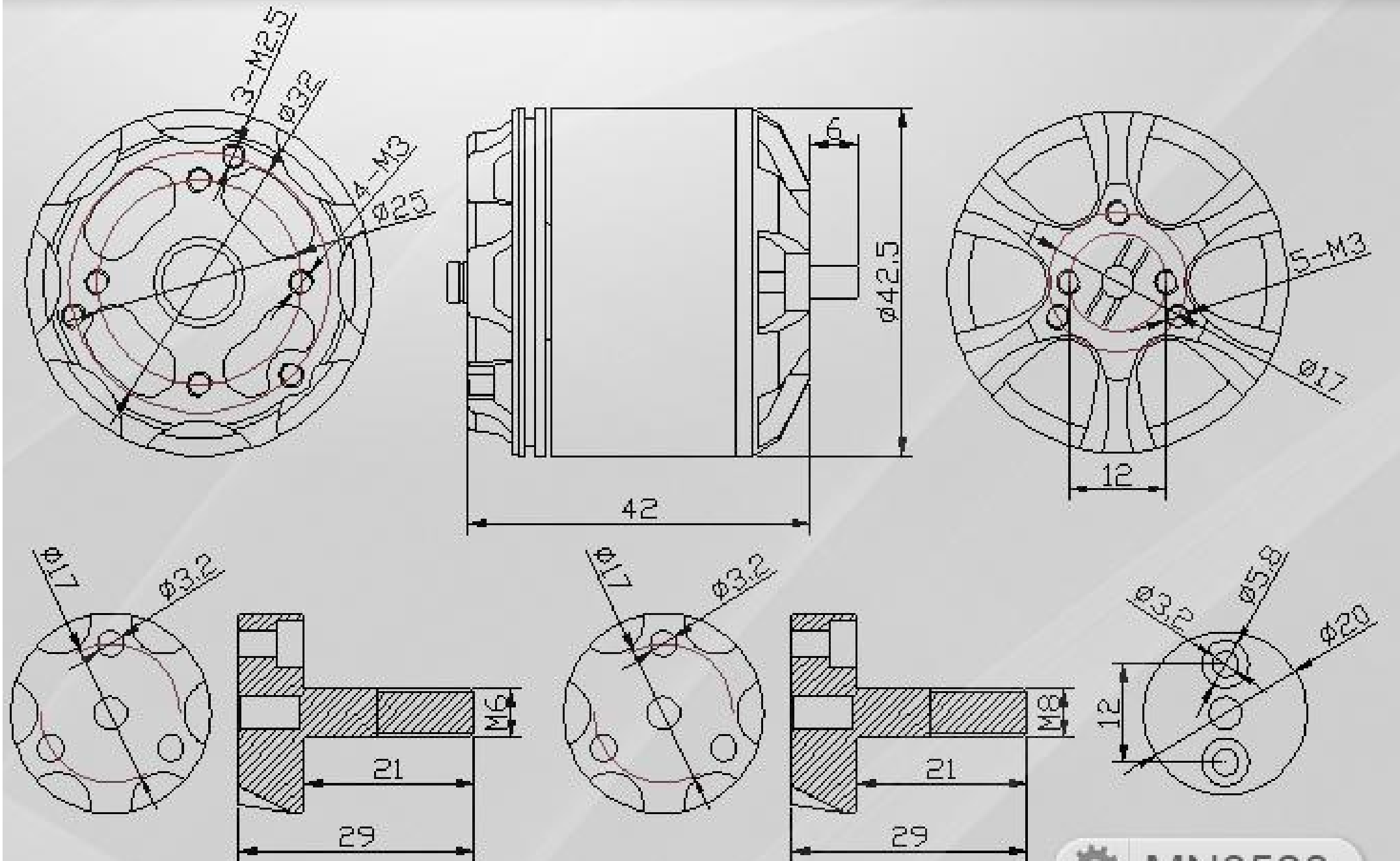


em No.	Voltage (V)	Prop	Throttle	Current (A)	Power (W)	Weight (g)	RPM	Efficiency (g/W)	Operating temperature (°C)
MN3520 KV400	22.2	T-MOTOR 15*5CF	50%	4.5	100	1010	4280	10.11	50
			65%	8.8	195	1540	5400	7.88	
			75%	12.3	273	1920	6050	7.03	
			85%	16.6	369	2380	6700	6.46	
			100%	20.3	451	2700	7100	5.99	
		T-MOTOR 16*5.4CF	50%	5.3	118	1140	4160	9.69	55
			65%	10.2	226	1780	5260	7.86	
			75%	14.4	320	2200	5850	6.88	
			85%	19.4	431	2680	6500	6.22	
			100%	23.2	515	3000	6800	5.82	
		T-MOTOR 17*5.8CF	50%	6.5	144	1340	4000	9.29	67
			65%	12.5	278	2120	5000	7.64	
			75%	17.7	393	2670	5600	6.79	
			85%	23.3	517	3200	6100	6.19	
			100%	28.1	624	3600	6450	5.77	

Notes: The test condition of temperature is motor surface temperature in 100% throttle while the motor run 10 min.

# Product Drawing



## Introduction of MN Series

With the navigator design concept ,T-Motor Navigator Series is mostly used in Aerial photo as the Mutirotor -copter Power system. The motor is a high quality, smooth running ,durable brushless motor built for multirotor UAV application,the custom assembly methods and components unique to Navigator series help to provide the reliability required for a dependable aerial platform.



*Providing the reliability  
required for a dependable aerial platform.*



**T-motor MN40** series motor come with bearing **twice** as large as the same size motor. Qualified big ball bearings, which suit low speed smooth running and allow for a stable frame against pressure, are put into application precision.



The motors are come with higher lever **EZO bearing** to improve the life of the motor, which is imported with original packaging (not used bearing, low level EZO bearing, Fake bearing). Office test indicate which can complete the flight time is **60-80 hours**. we stronger suggest to change the bearing after your flight getting **60 hours** to surance you safe flight whether the bearing getting bad or not because the bearing is consumer parts of the motor.

Flexible mount holes design to match different relevant parts which can install main props in the current market



The package is included 2 set of prop adapter of **M6** and **M8**.  
The surface of the prop adapter is knurled.



Notes: The **8pcs screw M3\*12**, 8pcs are for the installation of T-motor CF prop with the plat cover, which are not for the installation of mounting the motor with the frame.



Installation of **M6** prop  
adapter matching **M6** prop



Installation of **M8** prop adapter  
matching **M8** prop



T-motor 6mm CCW



Match up T-motor **CCW prop adapter** for  
better flying performance

**Better flying performance**

T-motor 8mm CCW



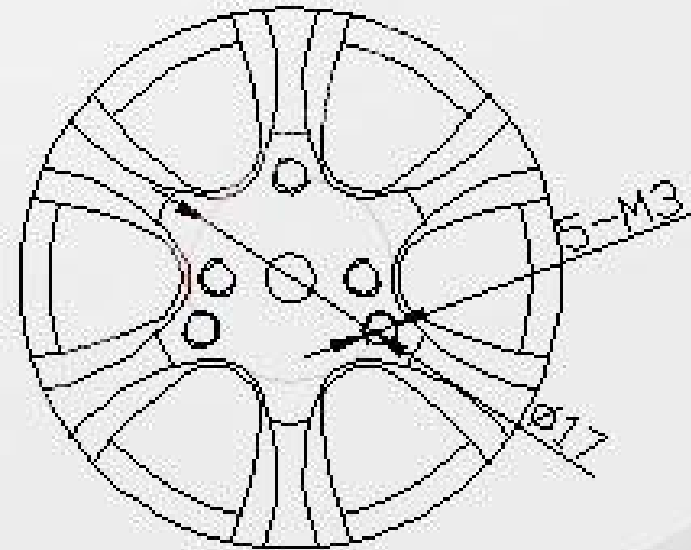
Included a flat cover for the  
T-motor flat CF prop



Flexible mounting hole for many kind of frame

-----Standard 25\*25mm mounting hole

-----3 point mounting hole for DJI S800



領  
新  
版



MN serie box  
Perfecting packing

Wonderful flight form T-motor.



The first choice of the power system for the  
Aerial photograph and reconnaissance.