

Thank you for purchasing GT FPV THREE CHANNEL VIDEO SWITCHER!

### 【Function description】

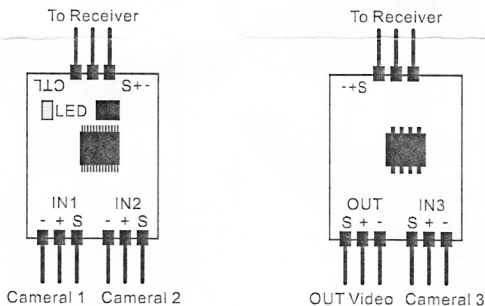
FPV THREE CHANNEL VIDEO SWITCHER is kind of device that can select the VI signal output. Namely, putting in the three channel video signal, the user can select one video output without outputting the other signals by operating the remote control. With the remote control, it can control the signals of the three cameras or DV AV and switchover the signal to OSD or the video transmitter. It really can give you a visual enjoyment from different azimuth. (The switcher also can be used as electronic switch, electronic ignition and trigger shutter)

### 【Product parameter】

1. 3PIN DuPont lines: 150mm;
2. Control board dimension: 25x18mm;
3. Weight: 3g.

### 【Control board diagram】

1. CTL connect to the receiver of the remote control (5V). The three ports are for signal, positive pole and negative pole.
2. IN1, IN2, IN3 are video signal input port, OUT is video signal output port.



### 【Cautions】

1. Keep away the unit from flammable object, fire and sunshine directly.
2. Avoid from water, corrosion gas, dust and damp environment.
3. To avoid damage it, please don't disassemble, reassemble the unit.
4. Please keep this operating manual for inspection at any time.

### 【Warranty clause】

The quality of our products' warranty is 1 year (12 months) since the date of purchase. This warranty only applies to product quality problems in the purchase. During the product warranty, with proof of purchase (invoice or receipt), all products have quality problems can be freely repaired or replaced. However, due to wear and tear, overloading, damage caused by the misuse of man-made improper operation or accessories, do not be a free repair or replacement.