

EMAX

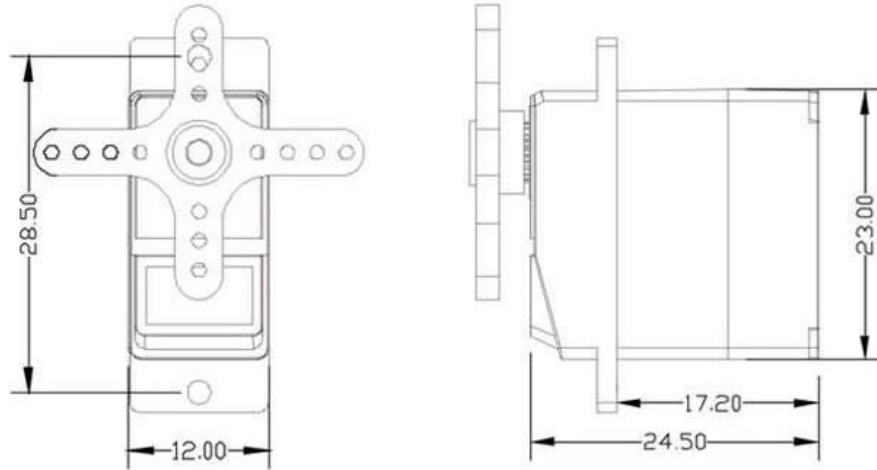
YINYAN MODEL TECH.LTD.



ES 09 Series
Specific Swash Servos
for 450 Helicopter Tail

Mini SERVO (ES09A) SERIES

SERVO ES09A SPECIFICATIONS



Operating Voltage:	4.8~6.0V	
STD Direction:	Counter Clockwise / Pulse Traveling 1500 to 1900usec	
Stall Torque:	4.8V	2.2 Kgf.cm
Operating Speed:	4.8V	0.11 Sec/60° at no load
Stall Torque:	6.0V	2.4 Kgf.cm
Operating Speed:	6.0V	0.09 Sec/60° at no load
Dimensiones:	23.0X12.0X24.5 mm	
Weight:	11.6g	
Plug Available	FUT ;JR	
	Plastics,Analog	

What's in the box:
ES09A Servo
Servo arms





E-MAX

ES09D DIGITAL SERVO

ES09 D

Digital Servo



Good news! EMAX have designed a series of specific swash servos for 450 helicopters. And now you will be able to have a high quality swash servo for your 450 helicopters with a very attractive price! Below are some key features:

CHARACTER



increase torque and speed to a higher level than Stronger gear set and case made of engineering plastics.



Dual-bearing, and large diameter shaft design minimize the disatema and keep the servo operating smoothly for a long time.



Different structure strengthens gear hardness, maximizes transmission efficiency, and provides a higher torque from same drive current.



Applies NOBLE potentiometer which assures the coherence.