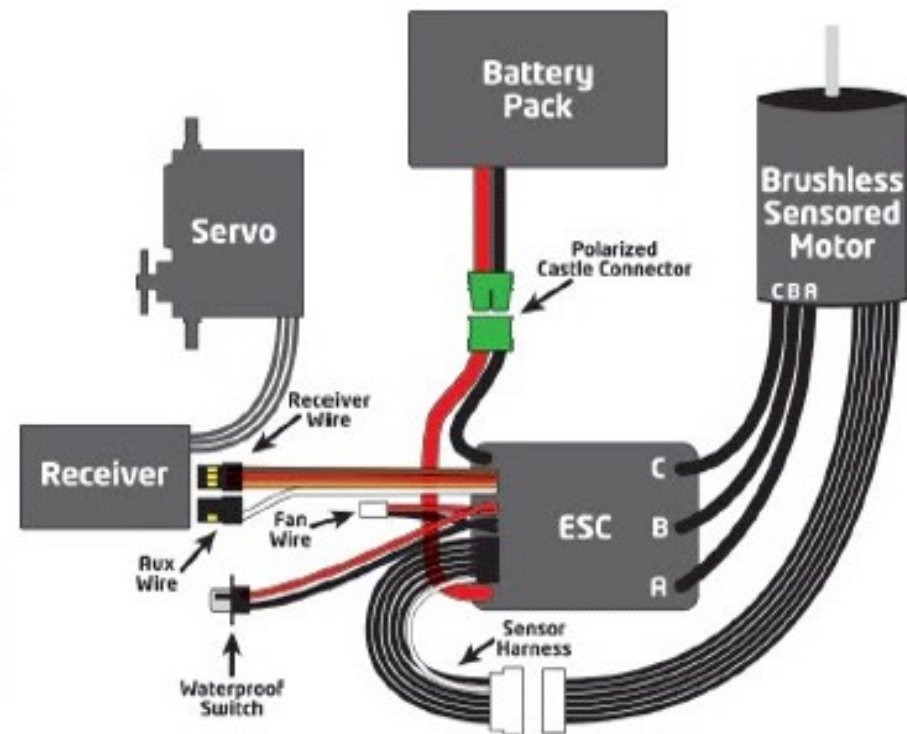


## Sensored Motor Quick Setup

Castle sensor capable X Series ESCs require a sensor harness adapter for operation (Castle P/N 011-0108-00).

1. Connect the motor's wires to the ESC.
2. Remove dust cover from ESC (if applicable).
3. Install the sensor harness into the ESC.
4. Connect the sensor cable between the sensor harness and motor sensor port.

*NOTE: For sensored operation, the motor's wires must connect to their corresponding letters on the ESC. Use Castle Link to change the motor direction.*



## Sensorless Operation Quick Setup

For sensorless operation, connect all 3 motor wires to the ESC. To reverse the direction of the motor, swap any two of the motor wires or use Castle Link.

For more information on wiring and setup, please refer to your ESC manual.

