

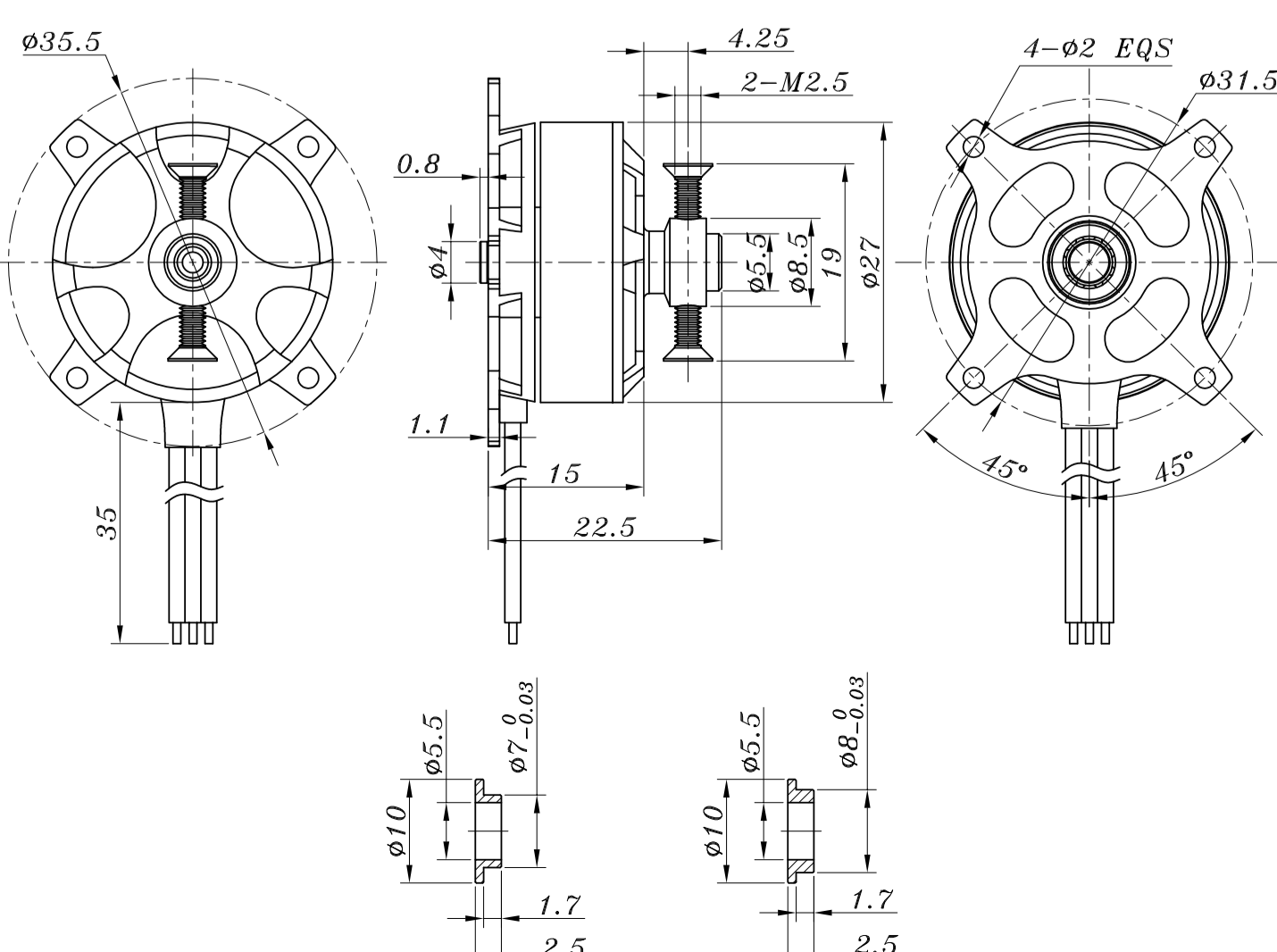
Specifications	X2206 KV1500		
Stator Diameter	定子外径	22mm	
Stator Thickness	定子厚度	6mm	
No. of Stator Arms	定子槽数	12	
No. of Rotor Poles	转子极数	14	
Motor Kv	电机KV值	1500	
No-Load Current (A/10V)	空载电流	0.3A	
Motor Resistance	电机电阻	147mΩ	
Max Continuous Current	最大连续电流	13A/30S	
Max Continuous Power	最大连续功率	150W	
Weight	重量 (含长线)	25.2g	
Rotor Diameter	转子直径	27mm	
Shaft Diameter	出轴直径	3mm	
Body Length	电机长度	22.5mm	
Overall Shaft Length	电机含轴总长度	23.3mm	
Max Lipo Cell	最大电池节数	2-3s	
ESC	建议使用电调	12A	
Recommended Prop(inch)	推荐螺旋桨规格	GWS8040	GWS8043
		GWS9047	GWS9050

AEROBATIC(适用特技机重量) 300g (3S 8040\8043)

适用3D机重量 180g (2S GWS9047\9050) 240g(3S 8040\8043)

Prop (inch)	Volts (V)	Amps (A)	Thrust (gf)	Watts (W)	Efficiency (g/W)	Load temperature in 100% throttle 全油门负载温度
GWS8043	7.4	1.3	100	9.62	10.3950104	61°
		2.1	150	15.54	9.652509653	
		3.2	200	23.68	8.445945946	
		4.3	250	31.82	7.856693903	
		5.4	300	39.96	7.507507508	
		6.8	350	50.32	6.955484897	
		7.9	390	58.46	6.67122819	
	11.1	0.9	100	9.99	10.01001001	
		1.6	150	17.76	8.445945946	
		2.4	200	26.64	7.507507508	
		3.2	250	35.52	7.038288288	
		4.2	300	46.62	6.435006435	
		5	350	55.5	6.306306306	
		6.2	400	68.82	5.812263877	
		7.3	450	81.03	5.553498704	
		8.5	500	94.35	5.299417064	
		9.9	550	109.89	5.005005005	
		11.4	600	126.54	4.741583689	
12.9	655	143.19	4.574341784			
GWS9047	7.4	1.3	100	9.62	10.3950104	52°
		2.1	150	15.54	9.652509653	
		3.1	200	22.94	8.718395815	
		4.3	250	31.82	7.856693903	
		5.7	300	42.18	7.112375533	
		6.8	350	50.32	6.955484897	
		8.2	400	60.68	6.591957811	
		11	490	81.4	6.01965602	
GWS1047	7.4	1.2	100	8.88	11.26126126	56°
		2	150	14.8	10.13513514	
		3.1	200	22.94	8.718395815	
		4.2	250	31.08	8.043758044	
		5.5	300	40.7	7.371007371	
		7	350	51.8	6.756756757	
		8.8	400	65.12	6.142506143	
		10.7	450	79.18	5.683253347	
13.7	525	101.38	5.1785362			
GWS9050	7.4	1.2	100	8.88	11.26126126	46°
		2.1	150	15.54	9.652509653	
		3.1	200	22.94	8.718395815	
		4	250	29.6	8.445945946	
		5.2	300	38.48	7.796257796	
		6.6	350	48.84	7.166257166	
		8	400	59.2	6.756756757	
		10.1	470	74.74	6.288466685	
GWS8040	7.4	1.2	100	8.88	11.26126126	48°
		2.1	150	15.54	9.652509653	
		3.2	200	23.68	8.445945946	
		4	250	29.6	8.445945946	
		5.2	300	38.48	7.796257796	
		6.6	350	48.84	7.166257166	
	11.1	0.9	100	9.99	10.01001001	
		1.5	150	16.65	9.009090909	
		2.3	200	25.53	7.833920877	
		3.1	250	34.41	7.265329846	
		3.9	300	43.29	6.93000693	
		4.9	350	54.39	6.435006435	
5.8	400	64.38	6.213109661			
6.9	450	76.59	5.875440658			
8.1	500	89.91	5.561116672			
9.2	550	102.12	5.385820603			
11.7	640	129.87	4.928004928			
GWS8060	7.4	1.4	100	10.36	9.652509653	52°
		2.4	150	17.76	8.445945946	
		3.6	200	26.64	7.507507508	
		5	250	37	6.756756757	
		6.5	300	48.1	6.237006237	
		8.4	350	62.16	5.630630631	
		10.3	410	76.22	5.379165573	

Notes: The test condition of temperature is motor surface temperature in 100% throttle while the motor run 10 min.



配件/Accessories