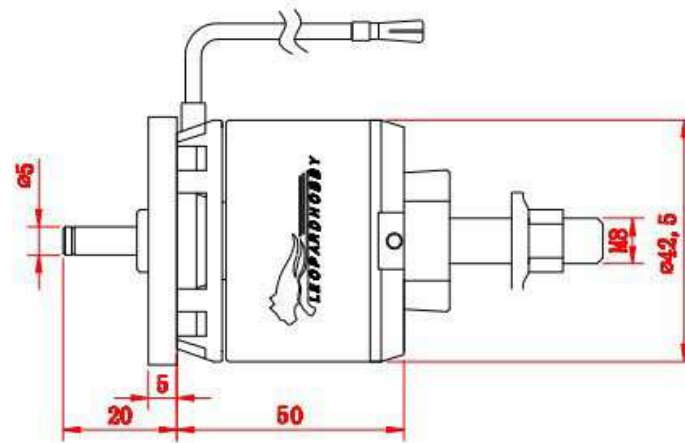


LC4260



Leopard Power System  
[www.leopardhobby.com](http://www.leopardhobby.com)

### LC4260 Series Specification (Dia.×Length: Ø42.0mm×60.0mm)

Length of extend shaft : ---				20(mm)						
Shaft Dia. : -----				5(mm)						
Weight: -----				268(g)						
Model	KV	No-load current (A)	Max Amps(A)	Propeller	Max Voltage (V)	Current (A)	Pull (g)	Power (w)	Resistance	Load current (A)
LC4260-4T	780	2.8	75	945	11.1	15	800	167	0.0122	64
					12.6	17.5	1000	221		
					14.8	23	1300	340		
					16.8	27.5	1600	462		
					18.5	33	2000	611		
				1340	11.1	30	1900	333		
					12.6	34	2300	428		
					14.8	44	3100	651		
					16.8	54	3800	907		
					18.5	63	4700	1166		