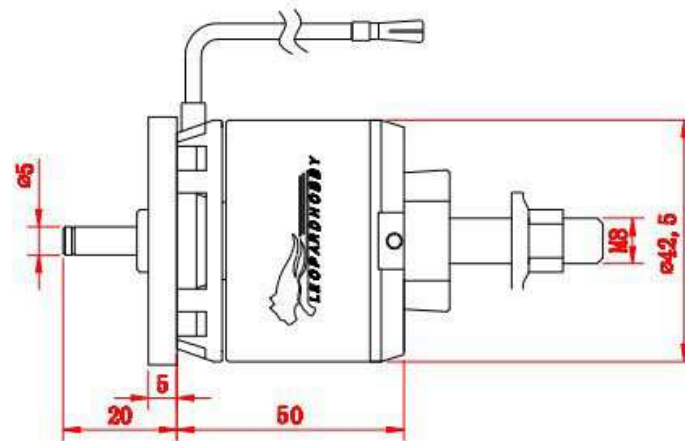


LC4260



Leopard Power System
www.leopardhobby.com

LC4260 Series Specification (Dia.xLength: Φ 42.0mmx60.0mm)

Length of extend shaft : ---				20(mm)						
Shaft Dia. : -----				5(mm)						
Weight: -----				268(g)						
Model	KV	No-load current (A)	Max Amps(A)	Propeller	Max Voltage (V)	Current (A)	Pull (g)	Power (w)	Resistance	Load current (A)
LC4260-6T	520	1.5	50	1540	16.8	20.5	2400	344	0.0292	43
					18.5	23.5	2800	435		
					21	29	3600	609		
					22.2	32	4000	710		
					25.2	39	5000	983		
				1560	11.1	15.5	1500	172		
					12.6	19	1800	239		
					14.8	24	2450	355		
					16.8	30	3000	504		
					18.5	34	3600	629		
					21	41	4400	861		
					22.2	45	4800	999		